



# OPERATION MANUAL

---

INDUSTRIAL ENGINE

***TNV***

2TNV70	4TNV84T
3TNV70	4TNV84T-B
3TNV76	4TNV84T-Z
3TNV82A	4TNV88
3TNV82A-B	4TNV88-B
3TNV84	4TNV88-U
3TNV84T	4TNV88-Z
3TNV84T-B	4TNV94L
3TNV84T-Z	4TNV98
3TNV88	4TNV98-E
3TNV88-B	4TNV98-Z
3TNV88-E	4TNV98T
3TNV88-U	4TNV98T-Z
3TNV88-Z	4TNV106
4TNV84	4TNV106T

***YANMAR***

**California  
Proposition 65 Warning**

Diesel engine exhaust and some of its constituents are known to the state of California to cause cancer, birth defects, and other reproductive harm.

**Disclaimers:**

All information, illustrations and specifications in this manual are based on the latest information available at the time of publishing. The illustrations used in this manual are intended as representative reference views only. Moreover, because of our continuous product improvement policy, we may modify information, illustrations and/or specifications to explain and/or exemplify a product, service or maintenance improvement. We reserve the right to make any change at any time without notice. YANMAR is a registered trademark of YANMAR POWER TECHNOLOGY CO., LTD. in Japan, the United States and/or other countries.

**All Rights Reserved:**

No part of this publication may be reproduced or used in any form by any means - graphic, electronic, or mechanical, including photocopying, recording, taping, or information storage and retrieval systems - without the written permission of YANMAR POWER TECHNOLOGY CO., LTD.

In case of exporting this product and providing the related technical material to non-residents in Japan or residents overseas, it is required to comply with the export and trade control laws and regulations of Japan and other relevant countries.  
Please be sure to follow the necessary procedure.

OPERATION MANUAL	MODEL	TNV Series
	CODE	0ATNV-EN001A

# INTRODUCTION

---

Welcome to the world of YANMAR Engines! YANMAR has been the leader in industrial diesel engines for over 90 years. We developed the world's first practical small-sized diesel engine in 1933. Our engineers are continuously developing new technology to keep YANMAR on the leading-edge of the industry. The TNV engine is only one example of the new technology we have developed. We are committed to maintaining our environment, and are proud of our history of innovation, quality and respect for operator safety.

To help you enjoy your YANMAR TNV engine for many years to come, please follow these recommendations:

- Read and understand this *Operation Manual* before you operate the machine to ensure that you follow safe operating practices and maintenance procedures.
  - Keep this *Operation Manual* in a convenient place for easy access.
  - If this *Operation Manual* is lost or damaged, order a new one from your authorized YANMAR industrial engine dealer or distributor.
  - Make sure this manual is transferred to subsequent owners. This manual should be considered a permanent part of the engine and remain with it.
- Constant efforts are made to improve the quality and performance of YANMAR products, so some details included in this *Operation Manual* may differ slightly from your engine. If you have any questions about these differences, please contact your authorized YANMAR industrial engine dealer or distributor.
  - The specifications and components (instrument panel, fuel tank, etc.) described in this manual may differ from ones installed on your machine. Please refer to the manual provided by the manufacturer of these components.

## INTRODUCTION

---

## RECORD OF OWNERSHIP

Take a few moments to record the information you need when you contact YANMAR for service, parts or literature.

Engine model: \_\_\_\_\_

Engine serial No.: \_\_\_\_\_

Date purchased: \_\_\_\_\_

Dealer: \_\_\_\_\_

Dealer phone: \_\_\_\_\_

## SYMBOL EXPLANATION

The following symbols are used throughout this manual to identify specific engine model information



This symbol indicates information pertaining to the following indirect injection engines:

- 2TNV70\*1\*3
- 3TNV70\*1\*3
- 3TNV76\*1\*3

\*1: Indicates the engines conform to the engine emission regulations (EPA 2008 rules).



This symbol indicates information pertaining to the following direct injection engines:

- |            |                 |
|------------|-----------------|
| • 3TNV82A  | • 3TNV82A-B*1*3 |
| • 3TNV84   | • 3TNV84T-Z*2   |
| • 3TNV84T  | • 3TNV84T-B*1   |
| • 3TNV88   | • 3TNV88-Z*2    |
| • 4TNV84   | • 3TNV88-B*1*3  |
| • 4TNV84T  | • 3TNV88-E*2*3  |
| • 4TNV88   | • 3TNV88-U*1    |
| • 4TNV94L  | • 4TNV84T-Z*2   |
| • 4TNV98   | • 4TNV84T-B*1   |
| • 4TNV98T  | • 4TNV88-Z*2    |
| • 4TNV106  | • 4TNV88-B*1    |
| • 4TNV106T | • 4TNV88-U*1    |
|            | • 4TNV98-Z*2    |
|            | • 4TNV98-E*2    |
|            | • 4TNV98T-Z*2   |

\*1: Indicates the engines conform to the engine emission regulations (EPA 2008 rules).

\*2: Indicates the engines are electronically controlled and conform to the engine emission regulations (EPA 2008 rules).

\*3: Indicated that the engines comply with EU emission regulations (EU2016/1628).

Some engines might not comply with the emission regulations depending on the engine rated speed. This emission regulation is an update from 97/68/EC Directive as Stage V.

# TABLE OF CONTENTS

---

	Page
<b>YANMAR WARRANTIES</b> .....	1
<b>YANMAR LIMITED WARRANTY</b> .....	1
What is Covered by this Warranty? .....	1
How Long is the Warranty Period? .....	1
What the Engine Owner must Do: .....	2
To Locate an Authorized YANMAR Industrial Engine Dealer or Distributor: .....	2
What YANMAR will Do: .....	2
What is not Covered by this Warranty? .....	3
Warranty Limitations: .....	3
Warranty Modifications: .....	3
Questions: .....	3
Retail Purchaser Registration.....	4
<b>EMISSION SYSTEM WARRANTY</b> .....	5
<b>YANMAR POWER TECHNOLOGY CO., LTD. EMISSION         CONTROL SYSTEM WARRANTY - USA ONLY</b> .....	5
Your Warranty Rights and Obligations: .....	5
Manufacturer's Warranty Period:.....	5
Warranty Coverage: .....	6
Warranted Parts: .....	6
Exclusions: .....	7
Owner's Warranty Responsibilities:.....	7
What the Emergency Stationary Type Engine Owner must Do:....	7
<b>EMISSION SYSTEM WARRANTY     (MARINE REGURATION CERTIFIED ONLY)</b> .....	8
<b>YANMAR POWER TECHNOLOGY CO., LTD. EMISSION         CONTROL SYSTEM WARRANTY - USA ONLY</b> .....	8
Your Warranty Rights and Obligations: .....	8
Manufacturer's Warranty Period:.....	8
Warranty Coverage: .....	9
Warranted Parts: .....	9
Exclusions: .....	10
Owner's Warranty Responsibilities:.....	10

# TABLE OF CONTENTS

---

EMISSION-RELATED INSTALLATION INSTRUCTIONS (REF).....	11
Installation of Non-road Engines into Equipment .....	11
Allowable Air Intake Restriction and Exhaust Back Pressure .....	11
Breather System.....	14
In-Use Testing Requirements.....	14
Emission Control Label .....	14
Fuel Inlet Label.....	15
Installation Evaluation .....	15
Engine Maintenance.....	15
<b>SAFETY</b> .....	17
SAFETY STATEMENTS .....	17
SAFETY PRECAUTIONS .....	18
Before You Operate .....	18
During Operation and Maintenance .....	18
<b>PRODUCT OVERVIEW</b> .....	29
YANMAR TNV ENGINE FEATURES AND APPLICATIONS.....	29
COMPONENT IDENTIFICATION .....	30
LOCATION OF LABELS .....	33
Engine Nameplate (Typical) .....	34
Emission Certification Labels .....	34
EPA/ARB Labels (Typical) .....	34
EU Labels (Typical) .....	34
ENGINE FAMILY .....	35
FUNCTION OF MAJOR ENGINE COMPONENTS.....	36
FUNCTION OF COOLING SYSTEM COMPONENTS.....	38
ELECTRONIC CONTROL SYSTEM.....	39
Main Electronic Control Components and Features.....	42
GAUGES AND INDICATORS .....	44
Gauges.....	44
Indicators.....	45
GAUGES AND INDICATORS OF ELECTRONIC CONTROL SYSTEM.....	46
Gauges.....	46
Indicators.....	46
CONTROLS .....	47
Key Switch.....	47
Glow Plugs .....	49
Inlet Air Heater .....	49
Governor Lever .....	50
Speed Control of Electronically Controlled Engines.....	50
Engine Stop Solenoid.....	51
Electronic Engine Speed Control .....	51

<b>BEFORE YOU OPERATE</b> .....	53
<b>DIESEL FUEL</b> .....	54
Diesel Fuel Specifications .....	54
Filling the Fuel Tank .....	60
Priming the Fuel System .....	61
<b>ENGINE OIL</b> .....	62
Engine Oil Specifications .....	62
Engine Oil Viscosity.....	62
Checking Engine Oil.....	63
Adding Engine Oil.....	63
Engine Oil Capacity (Typical) .....	64
<b>ENGINE COOLANT</b> .....	65
Engine Coolant Specifications.....	66
Filling Radiator with Engine Coolant.....	66
Daily Check of the Cooling System .....	67
Engine Coolant Capacity (Typical) .....	67
<b>DAILY CHECKS</b> .....	68
Visual Checks.....	68
Check Diesel Fuel, Engine Oil and Engine Coolant Levels.....	68
Check Engine Speed Control .....	68
Check Operator's Console .....	68
Check Indicators.....	69
<b>ENGINE OPERATION</b> .....	73
<b>STARTING ENGINE</b> .....	74
<b>COLD START DEVICE</b> .....	75
<b>CHECKING THE ENGINE DURING OPERATION</b> .....	76
<b>ADJUST ENGINE SPEED</b> .....	78
<b>SHUTTING DOWN THE ENGINE</b> .....	78
<b>PERIODIC MAINTENANCE</b> .....	79
<b>PRECAUTIONS</b> .....	80
The Importance of Periodic Maintenance.....	80
Performing Periodic Maintenance .....	80
The Importance of Daily Checks .....	80
Keep a Log of Engine Hours and Daily Checks .....	80
YANMAR Replacement Parts.....	80
Tools Required .....	80
Ask Your Authorized YANMAR Industrial Engine Dealer or Distributor for Help.....	80
Required EPA/ARB Maintenance USA Only .....	80
EPA/ARB Installation Requirements USA Only.....	81
Tightening Fasteners.....	81
<b>STANDARD TORQUE CHART</b> .....	81

# TABLE OF CONTENTS

---

PERIODIC MAINTENANCE SCHEDULE .....	82
Periodic Maintenance Chart .....	82
PERIODIC MAINTENANCE PROCEDURES .....	84
After Initial 50 Hours of Operation .....	84
Every 50 Hours of Operation .....	86
Every 250 Hours of Operation .....	89
Every 500 Hours of Operation .....	95
Every 1000 Hours of Operation .....	101
Every 1500 Hours of Operation .....	102
Every 2000 Hours of Operation .....	103
Every 3000 Hours of Operation .....	105
<b>TROUBLESHOOTING</b> .....	107
TROUBLESHOOTING CHART .....	108
TROUBLESHOOTING OF ELECTRONIC CONTROL SYSTEM....	110
Fault Detection Capability .....	110
Diagnosis Tool .....	112
TROUBLESHOOTING INFORMATION .....	113
LIST OF POSSIBLE FAULTS OF ELECTRONICALLY CONTROLLED ENGINES .....	114
<b>LONG-TERM STORAGE</b> .....	117
BEFORE YOU PLACE THE ENGINE IN LONG-TERM STORAGE.	118
RETURNING THE ENGINE TO SERVICE .....	119
<b>SPECIFICATIONS</b> .....	121
GENERAL .....	121
Description of Model Number .....	121
Engine Speed Specifications .....	122
Engine General Specifications .....	122
PRINCIPAL ENGINE SPECIFICATIONS .....	123

# YANMAR WARRANTIES

---

## YANMAR LIMITED WARRANTY

### What is Covered by this Warranty?

YANMAR warrants to the original retail purchaser that a new YANMAR TNV series industrial engine will be free from defects in material and/or workmanship for the duration of the warranty period.

*Note: YANMAR engines may be equipped with external components including, but not limited to: wiring harnesses, electrical devices, control panels, radiators, air filters, fuel filters, and/or exhaust systems that are supplied and/or installed by manufacturers other than YANMAR. For warranty information on such external components, please contact the machine or component manufacturer directly or see your authorized YANMAR dealer or distributor.*

This warranty is provided in lieu of all other warranties, express or implied. YANMAR specifically disclaims any implied warranties of merchantability or fitness for a particular purpose, except where such disclaimer is prohibited by law. If such disclaimer is prohibited by law, then implied warranties shall be limited in duration to the life of the express warranty.

### How Long is the Warranty Period?

The YANMAR standard limited warranty period runs for a period of **twenty-four (24) months or two-thousand (2000) engine operation hours**, whichever occurs first. An extended limited warranty of thirty-six (36) months or three thousand (3000) engine operating hours, whichever occurs first, is provided for these specific parts only: the cylinder block, cylinder head, crankshaft forging, connecting rods, flywheel, flywheel housing, camshaft, timing gear, and gear case. The warranty period for both the standard limited warranty and the extended limited warranty (by duration or operation hours) begins on the date of delivery to the original retail purchaser and is valid only until the applicable warranted duration has passed or the operation hours are exceeded, whichever comes first.

# YANMAR WARRANTIES

---

## *YANMAR limited warranty - continued*

### **What the Engine Owner must Do:**

If you believe your YANMAR engine has experienced a failure due to a defect in material and/or workmanship, you must contact an authorized YANMAR industrial engine dealer or distributor within thirty (30) days of discovering the failure. You must provide proof of ownership of the engine, proof of the date of the engine purchase and delivery, and documentation of the engine operation hours. Acceptable forms of proof of delivery date include, but are not limited to: the original warranty registration or sales receipts or other documents maintained in the ordinary course of business by YANMAR dealers and/or distributors, indicating the date of delivery of the YANMAR product to the original retail purchaser. This information is necessary to establish whether the YANMAR product is still within the warranty period. Thus, YANMAR strongly recommends you register your engine as soon as possible after purchase in order to facilitate any future warranty matters.

You are responsible for the transportation of the engine to and from the repair location as designated by YANMAR.

### **To Locate an Authorized YANMAR Industrial Engine Dealer or Distributor:**

You can locate your nearest authorized YANMAR industrial engine dealer or distributor by visiting the YANMAR website at:

<https://www.yanmar.com/global/> (The English language page will be displayed.)

- “Click” on “Dealer Locator” in the website heading to view the “Dealer Locator” menu.
- Choose the Country from the pull down menu.
- Choose the Product Category from the pull down menu.
- “Click” on “Search” to browse YANMAR dealer or distributor.

You may also contact YANMAR by clicking on “Contact” icon in the website heading and typing in your question or comment.

### **What YANMAR will Do:**

YANMAR warrants to the original retail purchaser of a new YANMAR engine that YANMAR will make such repairs and/or replacements at YANMAR’s option, of any part(s) of the YANMAR product covered by this warranty found to be defective in material and/or workmanship. Such repairs and/or replacements will be made at a location designated by YANMAR at no cost to the purchaser for parts or labor.

## *YANMAR limited warranty - continued*

### **What is not Covered by this Warranty?**

This warranty does not cover parts affected by or damaged by any reason other than defective materials or workmanship, including, but not limited to, accident, misuse, abuse, "Acts of God," neglect, improper installation, improper maintenance, improper storage, the use of unsuitable attachments or parts, the use of contaminated fuels, the use of fuels, oils, lubricants, or fluids other than those recommended in your YANMAR Operation Manual, unauthorized alterations or modifications, ordinary wear and tear, and rust or corrosion. This warranty does not cover the cost of parts and/or labor required to perform normal/scheduled maintenance on your YANMAR engine. This warranty does not cover consumable parts such as, but not limited to, filters, belts, hoses, fuel injector nozzles, lubricants and cleaning fluids. This warranty does not cover the cost of shipping the product to or from the warranty repair facility.

### **Warranty Limitations:**

**The foregoing is YANMAR's only obligation to you and your exclusive remedy for breach of warranty.** Failure to follow the requirements for submitting a claim under this warranty may result in a waiver of all claims for damages and other relief. **In no event shall YANMAR or any authorized industrial engine dealer or distributor be liable for incidental, special or consequential damages.** Such consequential damages may include, but not be limited to, loss of revenue, loan payments, cost of rental of substitute equipment, insurance coverage, storage, lodging, transportation, fuel, mileage, and telephone costs. The limitations in this warranty apply regardless of whether your claims are based on breach of contract, tort (including negligence and strict liability) or any other theory. Any action arising hereunder must be brought within one (1) year after the cause of action accrues or it shall be barred. Some states and countries do not allow certain limitations on warranties or for breach of warranties. **This warranty gives you specific legal rights, and you may also have other rights which vary from state to state and country to country.** Limitations set forth in this paragraph shall not apply to the extent that they are prohibited by law.

### **Warranty Modifications:**

Except as modified in writing and signed by the parties, this warranty is and shall remain the complete and exclusive agreement between the parties with respect to warranties, superseding all prior agreements, written and oral, and all other communications between the parties relating to warranties. **No person or entity is authorized to give any other warranty or to assume any other obligation on behalf of YANMAR, either orally or in writing.**

### **Questions:**

If you have any questions or concerns regarding this warranty, please call or write to the nearest authorized YANMAR industrial engine dealer or distributor or other authorized facility.

### **Retail Purchaser Registration**

It is very important for the original retail purchaser to register the YANMAR product. Registration enables YANMAR to provide the best support for your YANMAR product.

At the time of purchase, YANMAR highly recommends registering the retail purchaser's information through website <https://www.yanmar.com> as soon as possible.

*If it is not possible to access the website, please contact the nearest authorized YANMAR industrial engine dealer or distributor.*

**EMISSION SYSTEM WARRANTY**

**YANMAR POWER TECHNOLOGY CO., LTD.**

**LIMITED EMISSION CONTROL SYSTEM WARRANTY – USA ONLY**

**Your Warranty Rights and Obligations:**

The California Air Resources Board (CARB), the United States Environmental Protection Agency (EPA) and YANMAR POWER TECHNOLOGY CO., LTD. hereafter referred to as YANMAR, are pleased to explain the emission control system warranty on your 2023, 2024, or 2025 model year compression-ignition engine. In California, new heavy-duty off-road engines must be designed, built and equipped to meet the State’s stringent anti-smog standards. In the remaining forty nine (49) states, new non-road compression-ignition engines must be designed, built and equipped to meet the United States EPA emissions standards. YANMAR must warrant the emission control system on your engine for the periods of time listed below provided there has been no abuse, neglect or improper maintenance of your engine.

Your emission control system may include parts such as the fuel injection system, the air induction system, the electronic control system, EGR (Exhaust Gas Recirculation) system and the exhaust gas after treatment (diesel particulate filter system, urea SCR system). Also included may be hoses, belts, connectors and other emission-related assemblies.

Where a warrantable condition exists, YANMAR will repair your heavy-duty off-road compression-ignition engine at no cost to you including diagnosis, parts and labor.

**Manufacturer’s Warranty Coverage:**

2023, 2024, or 2025 model year heavy-duty off-road compression-ignition engines are warranted for the periods listed below. If any emission-related part on your engine is defective, the part will be repaired or replaced by YANMAR.

<b>If your engine is certified as</b>	<b>And its maximum power is</b>	<b>And its rated speed is</b>	<b>Then its warranty period is</b>
Variable speed or constant speed	$kW < 8$	Any speed	2,000 hours or two (2) years whichever comes first. In the absence of a device to measure the hours of use, the engine has a warranty period of two (2) years.
Variable speed or constant speed	$8 \leq kW < 19$	Any speed	2,000 hours or two (2) years whichever comes first. In the absence of a device to measure the hours of use, the engine has a warranty period of two (2) years.
Constant speed	$19 \leq kW < 37$	3,000 rpm or higher	2,000 hours or two (2) years whichever comes first. In the absence of a device to measure the hours of use, the engine has a warranty period of two (2) years.
Constant speed	$19 \leq kW < 37$	Less than 3,000 rpm	3,000 hours or five (5) years whichever comes first. In the absence of a device to measure the hours of use, the engine has a warranty period of five (5) years.
Variable speed	$19 \leq kW < 37$	Any speed	3,000 hours or five (5) years whichever comes first. In the absence of a device to measure the hours of use, the engine has a warranty period of five (5) years.
Variable speed or constant speed	$kW \geq 37$	Any speed	3,000 hours or five (5) years whichever comes first. In the absence of a device to measure the hours of use, the engine has a warranty period of five (5) years.

# YANMAR WARRANTIES

---

## *Emission control system warranty - continued*

### **Warranty Coverage:**

This warranty is transferable to each subsequent purchaser for the duration of the warranty period. YANMAR recommends that repair or replacement of any warranted part will be performed at an authorized YANMAR dealer.

Warranted parts not scheduled for replacement as required maintenance in the owner's manual shall be warranted for the warranty period. Warranted parts scheduled for replacement as required maintenance in the owner's manual are warranted for the period of time prior to the first scheduled replacement. Any warranted parts scheduled for replacement as required maintenance that are repaired or replaced under warranty shall be warranted for the remaining period of time prior to the first scheduled replacement. Any part not scheduled for replacement that is repaired or replaced under warranty shall be warranted for the remaining warranty period.

During the warranty period, YANMAR is liable for damages to other engine components caused by the failure of any warranted part during the warranty period.

Any replacement part which is functionally identical to the original equipment part in all respects may be used in the maintenance or repair of your engine and shall not reduce YANMAR's warranty obligations. Add-on or modified parts that are not exempted may not be used. The use of any non-exempted add-on or modified parts shall be grounds for disallowing a warranty.

### **Warranted Parts:**

This warranty covers engine components that are a part of the emission control system of the engine as delivered by YANMAR to the original retail purchaser. Such components may include the following:

- Fuel injection system (including Altitude compensation system)
- Cold start enrichment system
- Intake manifold and Air intake throttle valve
- Turbocharger systems
- Exhaust manifold and exhaust throttle valve
- Positive crankcase ventilation system
- Charge Air Cooling systems
- Exhaust Gas Recirculation (EGR) systems
- Exhaust gas after treatment (Diesel Particulate Filter (DPF) system, urea SCR system)
- Electronic Control units, sensors, solenoids and wiring harnesses used in above systems
- Hoses, belts, connectors and assemblies used in above systems
- Emission Control Information Labels

Since emissions related parts may vary slightly between models, certain models may not contain all of these parts and other models may contain the functional equivalents.

## *Emission control system warranty - continued*

### **Exclusions:**

Failures other than those arising from defects in material or workmanship are not covered by this warranty. The warranty does not extend to the following: malfunctions caused by abuse, misuse, improper adjustment, modification, alteration, tampering, disconnection, improper or inadequate maintenance, or use of non-recommended fuels and lubricating oils; accident-caused damage and replacement of expendable items made in connection with scheduled maintenance. YANMAR disclaims any responsibility for incidental or consequential such as loss of time, inconvenience, loss of use of equipment/engine or commercial loss.

### **Owner's Warranty Responsibilities:**

As the off-road compression-ignition engine owner, you are responsible for the performance of the required maintenance listed in your owner's manual. YANMAR recommends that you retain all receipts, covering maintenance on your off-road compression-ignition engine, but YANMAR cannot deny warranty solely for the lack of receipts or for your failure to ensure the performance of all scheduled maintenance.

As the off-road engine owner, you should however be aware that YANMAR may deny your warranty coverage if your off-road compression-ignition engine or a part has failed due to abuse, neglect, improper maintenance or unapproved modifications.

Your engine is designed to operate on diesel fuel only. Use of any other fuel may result in your engine no longer operating in compliance with California's and EPA's emissions requirements.

You are responsible for initiating the warranty process. The ARB and EPA suggest that you present your off-road engine to a YANMAR dealer as soon as a problem exists. The warranty repairs should be completed by the dealer as expeditiously as possible. If you have any questions regarding your warranty rights and responsibilities, you should contact YANMAR America Corporation. If you would like to find the nearest YANMAR dealer or authorized service center, you should contact YANMAR America Corporation.

Website: <https://www.yanmar.com>

E-mail: [CS\\_support@yanmar.com](mailto:CS_support@yanmar.com)

Toll free telephone number: 1-800-872-2867, 1-855-416-7091

### **What the Emergency Stationary Type Engine Owner must Do:**

The engines for emergency stationary type generators certified by Federal Law (40 CFR Part 60) are limited to emergency use only, and the operation for maintenance checks and verification test for functions is required. The total operating hours for maintenance and verification test for functions should not exceed 100 hours per year. However, there is no limitation on the operating hours for emergency use. Keep a log of the number of hours the engine is operated for both emergency use and non-emergency use. Also, note the reason for the operation.

# YANMAR WARRANTIES

---

## EMISSION SYSTEM WARRANTY (FOR MARINE CERTIFIED ONLY)

### YANMAR POWER TECHNOLOGY CO., LTD. EMISSION CONTROL SYSTEM WARRANTY - USA ONLY

#### Your Warranty Rights and Obligations:

The United States Environmental Protection Agency (EPA) and YANMAR POWER TECHNOLOGY CO., LTD. hereafter referred to as YANMAR, are pleased to explain the emission control system warranty on your 2020 model year and later marine compression-ignition engine. New marine compression-ignition engines must be designed, built and equipped to meet the United States EPA emissions standards. YANMAR must warrant the emission control system on your engine for the periods of time listed below provided there has been no abuse, neglect or improper maintenance of your engine.

Your emission control system may include parts such as the fuel injection system, the fuel injection system, the air induction system and EGR (Exhaust Gas Recirculation) system. Also included may be hoses, belts, connectors and other emission-related assemblies.

Where a warrantable condition exists, YANMAR will repair your marine compression-ignition engine at no charge to you including diagnosis, parts and labor.

#### Manufacturer's Warranty Period:

2020 model year and later marine compression-ignition engines are warranted for the periods listed below. If any emission-related part on your engine is found to be defective during the applicable warranty period, the part will be repaired or replaced by YANMAR.

If your engine is certified as	And its maximum power is	And its rated speed is	Then its warranty period is
Variable speed or constant speed	$\text{kW} < 19$	Any speed	2.5 years or 1500 hours of use, whichever comes first. In the absence of a device to measure the hours of use, the engine has a warranty period of 2.5 years.
Variable speed or constant speed	$19 \leq \text{kW} < 37$	Any speed	3.5 years or 2500 hours of use, whichever comes first. In the absence of a device to measure the hours of use, the engine has a warranty period of 3.5 years.
Variable speed or constant speed	$\text{kW} \geq 37$	Any speed	5 years or 5000 hours whichever comes first. In the absence of a device to measure the hours of use, the engine has a warranty period of 5 years.

## *Emission control system warranty - USA only - continued*

### **Warranty Coverage:**

This warranty is transferable to each subsequent purchaser for the duration of the warranty period. YANMAR recommends that repair or replacement of any warranted part will be performed at an authorized YANMAR dealer.

Warranted parts not scheduled for replacement as required maintenance in the owner's manual shall be warranted for the warranty period. Warranted parts scheduled for replacement as required maintenance in the owner's manual are warranted for the period of time prior to the first scheduled replacement. Any warranted parts scheduled for replacement as required maintenance that are repaired or replaced under warranty shall be warranted for the remaining period of time prior to the first scheduled replacement. Any part not scheduled for replacement that is repaired or replaced under warranty shall be warranted for the remaining warranty period.

During the warranty period, YANMAR is liable for damages to other engine components caused by the failure of any warranted part during the warranty period.

Any replacement part which is functionally identical to the original equipment part in all respects may be used in the maintenance or repair of your engine and shall not reduce YANMAR's warranty obligations. Add-on or modified parts that are not exempted may not be used. The use of any non-exempted add-on or modified parts shall be grounds for disallowing a warranty.

### **Warranted Parts:**

This warranty covers engine components that are a part of the emission control system of the engine as delivered by YANMAR to the original retail purchaser. Such components may include the following:

- (A) Fuel injection system
- (B) Cold start enrichment system
- (C) Intake manifold
- (D) Turbocharger systems
- (E) Exhaust manifold
- (F) Positive crankcase ventilation system
- (G) Exhaust Gas Recirculation (EGR) systems
- (H) Electronic Control units, sensors, solenoids and wiring harnesses used in above systems
- (I) Hoses, belts, connectors and assemblies used in above systems
- (J) Emission Control Information Labels

Since emissions related parts may vary slightly between models, certain models may not contain all of these parts and other models may contain the functional equivalents.

# YANMAR WARRANTIES

---

## *Emission control system warranty - USA only - continued*

### **Exclusions:**

Failures other than those arising from defects in material or workmanship are not covered by this warranty. The warranty does not extend to the following: malfunctions caused by abuse, misuse, improper adjustment, modification, alteration, tampering, disconnection, improper or inadequate maintenance, or use of non-recommended fuels and lubricating oils; accident-caused damage and replacement of expendable items made in connection with scheduled maintenance. YANMAR disclaims any responsibility for incidental or consequential such as loss of time, inconvenience, loss of use of equipment/engine or commercial loss.

### **Owner's Warranty Responsibilities:**

**As the marine compression-ignition engine owner, you are responsible for the performance of the required maintenance listed in your owner's manual.** YANMAR recommends that you retain all documentation, including receipts, covering maintenance on your marine compression-ignition engine, but YANMAR cannot deny warranty solely for the lack of receipts, or for your failure to ensure the performance of all scheduled maintenance.

YANMAR may deny your warranty coverage if your marine compression-ignition engine or a part has failed due to abuse, neglect, improper maintenance or unapproved modifications.

Your engine is designed to operate on diesel fuel only. Use of any other fuel may result in your engine no longer operating in compliance with EPA emissions requirements.

You are responsible for initiating the warranty process. You are responsible for presenting your engine to an authorized YANMAR dealer or distributor as soon as a problem exists. The warranty repairs should be completed by the dealer as expeditiously as possible. If you have any questions regarding your warranty rights and responsibilities or would like information on the nearest YANMAR dealer or authorized service center, you should contact YANMAR America Corporation.

Website: <https://www.yanmar.com>

E-mail: [CS\\_support@yanmar.com](mailto:CS_support@yanmar.com)

Toll free telephone number: 1-800-872-2867, 1-855-416-7091

## EMISSION-RELATED INSTALLATION INSTRUCTIONS (REF)

Failing to follow these instructions when installing a certified engine in a piece of non-road equipment violates Federal Law (40 CFR1068.105(B)), subject to fines or other penalties as described in the clean air act.

### Installation of Non-road Engines into Equipment

To ensure engines operate under the certified configurations, YANMAR has established defined application requirements when installing any certified engine into a piece of equipment. The instructions outlined below are included in our certification process and any failure to comply will be considered tampering.

YANMAR certifies engines to operate under variable speed or constant speed conditions. Engines certified as constant speed are prohibited from installation into variable speed applications. The emission control information label will identify an engine certified as constant speed.

### Allowable Air Intake Restriction and Exhaust Back Pressure

Resistance to intake airflow and exhaust gas flow is generated in the intake and exhaust systems. Exceeding the limitations will affect the operation of an engine and its certified configuration. Refer to the installation requirements and limitations of the TNV series Application Manual for the engine being equipped with these systems.

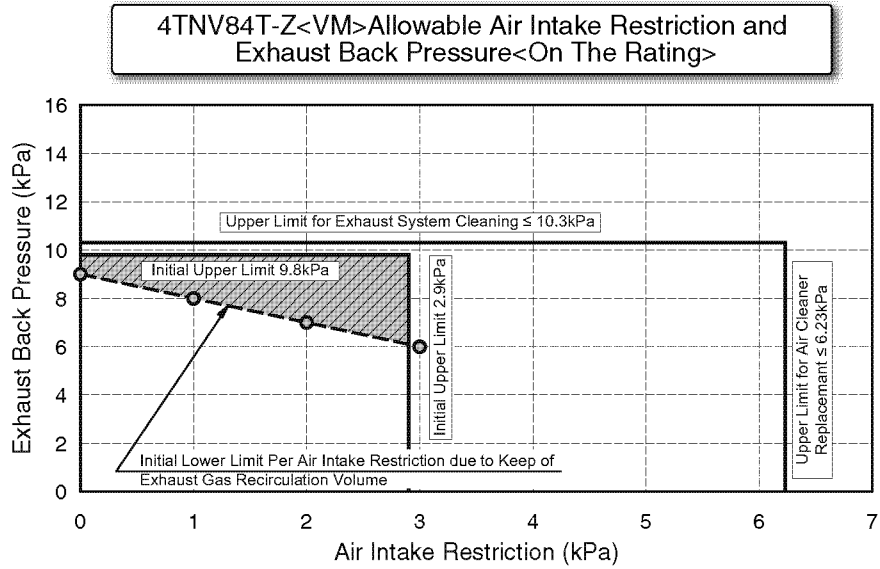
#### ■ Allowable air intake restriction

Engine model	Allowable air intake restriction ≤ kPa (mmAq)	
	Initial upper limit	Upper limit for air cleaner replacement
All TNV models	2.94 (300)	6.23 (635)

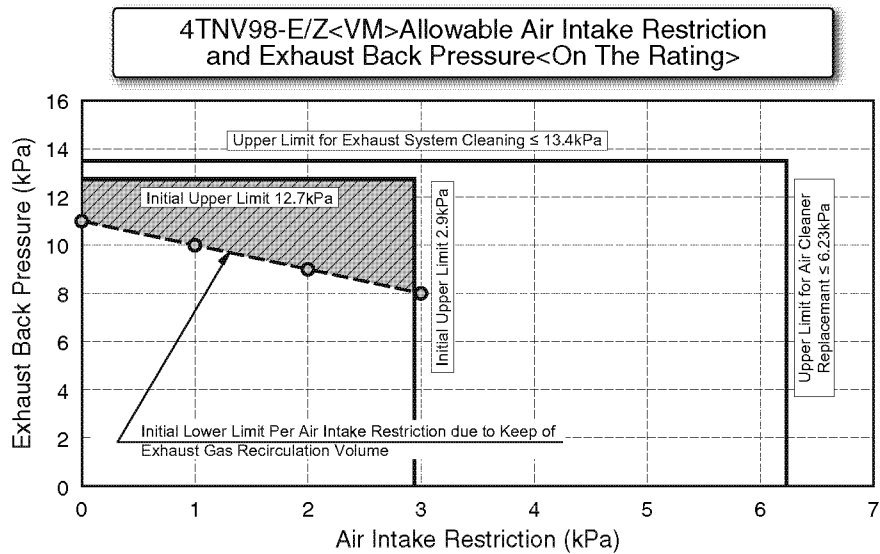
#### ■ Allowable exhaust back pressure

Engine model	Allowable exhaust back pressure ≤ kPa (mmAq)	
	Initial upper limit	Upper limit for exhaust system cleaning
2TNV70	4.90 (500)	5.88 (600)
3TNV70, 3TNV76	9.81 (1000)	11.77 (1200)
3TNV82A, 3TNV84/88, 4TNV84/88, 4TNV94L, 4TNV98, 4TNV106	12.75 (1300)	15.30 (1560)
3TNV84T	7.85 (800)	9.81 (1000)
4TNV84T, 4TNV98T, 4TNV106T	9.81 (1000)	11.77 (1200)
4TNV84T-Z	Figure 1: EGR equipped engines	
4TNV98-E/Z	<VM> Figure 2: EGR equipped engines	
	<CL> Figure 3: EGR equipped engines	
4TNV98T-Z	Figure 4: EGR equipped engines	

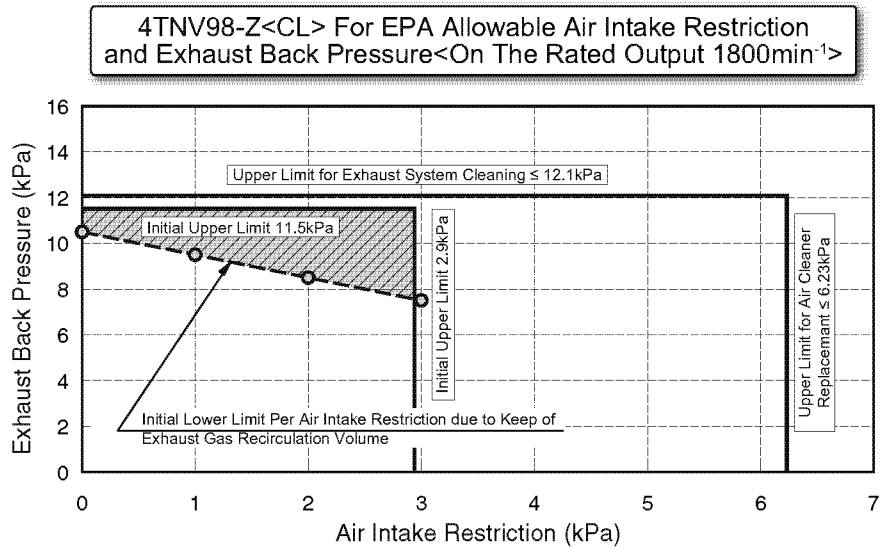
## ■ Intake/exhaust pressure allowances



**Figure 1**



**Figure 2**

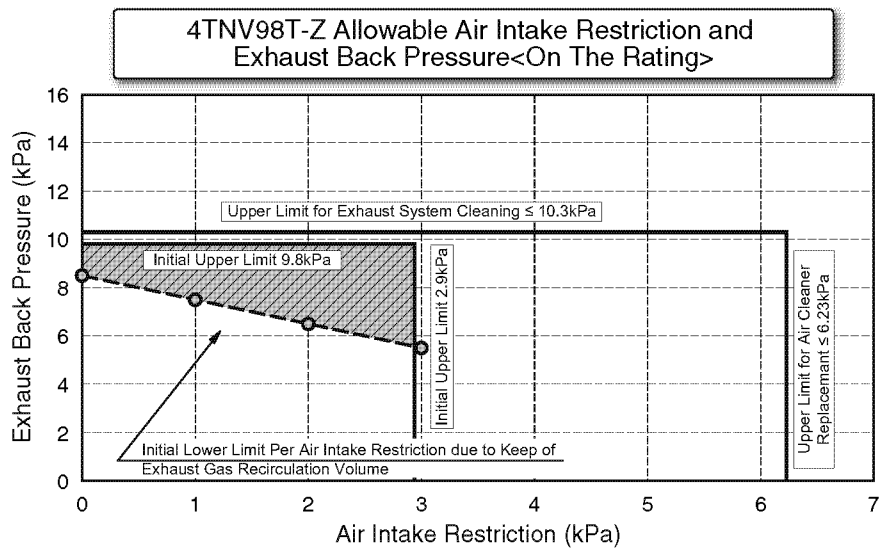


Lower Limit of Exhaust Back Pressure set by Air Intake Restriction

Air Intake Restriction (kPa)	0	1	2	3
Exhaust Back Pressure (kPa)	10.5	9.5	8.5	7.5

022296-01E

Figure 3



Lower Limit of Exhaust Back Pressure set by Air Intake Restriction

Air Intake Restriction (kPa)	0	1	2	3
Exhaust Back Pressure (kPa)	8.5	7.5	6.5	5.5

028316-00E

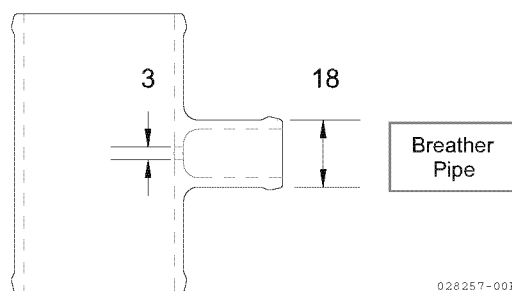
Figure 4

Note: EGR-equipped engines have a range of allowable intake and exhaust restrictions; a minimum and a maximum value. Larger versions of these figures are in the TNV series Application Manual.

## Breather System

Crankcase breather systems should be designed to return crankcase blow-by gas to the intake manifold-closed breather system. YANMAR's naturally aspirated engines are produced with the components completing the exhaust breather system. For turbocharged engines (excluding the variable speed 4TNV98T), the breather system components must be installed with the intake system under the following guidelines:

- Route the breather pipe from the valve cover to the return joint; avoid creasing and pitting
- The breather pipe and intake hoses must be made of oil resistant material
- The breather pipe will be installed to avoid any downward slopes that could create oil traps
- The return joint must be elevated above the outlet on the valve cover
- The return joint must be located between the air cleaner and turbocharger;  $\leq 300$  mm from the air cleaner
- The return joint must meet the following dimensions (mm):



**Figure 5**

YANMAR offers a line of components compatible for our engines that can be used to install a crankcase blow-by return. Refer to the installation requirements of the TNV series Application Manual for further explanation regarding application and components.

## In-Use Testing Requirements

Exhaust systems should be designed so that a 20 cm (7.87 in.) extension can be installed to the end of the exhaust pipe for purposes of sampling emissions. For equipment that does not allow installation of an extension pipe, a connection must be designed into the exhaust system for temporary attachment of exhaust sampling equipment. An example of an approved connection would be internally threaded with standard pipe threads of a size not larger than one-half inch, and shall be closed by a pipe-plug when not in use.

## Emission Control Label

If you install the engine in a way that makes the engine's emission control information label hard to read during normal engine maintenance, you must place a duplicate label on the equipment, as described in 40 CFR 1068.105.

## Fuel Inlet Label

Unless otherwise specified, YANMAR will also provide a supplemental fuel inlet label with each certified engine for installation on the equipment. Permanently attach this label to the equipment near the fuel inlet.

## Installation Evaluation

YANMAR POWER TECHNOLOGY CO., LTD. and its regional headquarters will determine approval of applications to the guidelines of the Application Manual, including these Emission-Related Installation Instructions.

To ensure engine performance and exhaust emissions compliance YANMAR will review net rated output based on engine build, intake air restriction, exhaust back pressure, engine heat balance and any other operational characteristic required under the Engine Installation Evaluation process.

## Engine Maintenance

Equipment manufacturers are responsible for relaying all emission-related service intervals to the final consumer of the product.

For equipment manufacturers who prepare their own warranty cards, owner's manuals, service manuals, operation manuals and any related documents; they must reference the emission-related service intervals and procedures indicated in YANMAR's technical documents: Warranty Statement, Operation Manual, Service Manual and Application Manual.

**This Page Intentionally Left Blank**

# SAFETY

---

## SAFETY STATEMENTS

YANMAR is concerned for your safety and your machine's condition. Safety statements are one of the primary ways to call your attention to the potential hazards associated with YANMAR TNV engine operation. Follow the precautions listed throughout the manual before operation, during operation and during periodic maintenance procedures for your safety, the safety of others and to protect the performance of your engine. Keep the labels from becoming dirty or torn and replace them if they are lost or damaged. Also, if you need to replace a part that has a label attached to it, make sure you order the new part and label at the same time.



This safety alert symbol appears with most safety statements. It means attention, become alert, your safety is involved! Please read and abide by the message that follows the safety alert symbol.

### **DANGER**

**DANGER** indicates a hazardous situation which, if not avoided, *will* result in death or serious injury.

### **WARNING**

**WARNING** indicates a hazardous situation which, if not avoided, *could* result in death or serious injury.

### **CAUTION**

**CAUTION** indicates a hazardous situation which, if not avoided, *could* result in minor or moderate injury.

### **NOTICE**

**NOTICE** indicates a situation which can cause damage to the machine, personal property and/or the environment or cause the equipment to operate improperly.

---

## SAFETY PRECAUTIONS

### Before You Operate

#### NOTICE



- Never permit anyone to operate the engine or driven machine without proper training.

- Read and understand this Operation Manual before you operate or service the machine to ensure that you follow safe operating practices and maintenance procedures.
- Machine safety signs and labels are additional reminders for safe operating and maintenance techniques.
- See your authorized YANMAR industrial engine dealer or distributor for additional training.

### During Operation and Maintenance

#### **! DANGER**

#### **Scald Hazard!**



- Never remove the radiator cap if the engine is hot. Steam and hot engine coolant will spurt out and seriously burn you. Allow the engine to cool down before you attempt to remove the radiator cap.
- Tighten the radiator cap securely after you check the radiator. Steam can spurt out during engine operation if the cap is loose.
- Always check the level of the engine coolant by observing the reserve tank.
- Failure to comply will result in death or serious injury.

#### **Explosion Hazard!**



- Keep the area around the battery well-ventilated. While the engine is running or the battery is charging, hydrogen gas is produced which can be easily ignited.
- Keep sparks, open flame and any other form of ignition away while the engine is running or battery is charging.
- Never short out the battery terminals, including when checking the remaining battery charge. This will result in a spark and may cause an explosion or fire. Use a hydrometer to check the remaining battery charge.
- If the electrolyte is frozen, slowly warm the battery before you recharge it.
- Failure to comply will result in death or serious injury.

**⚠ DANGER****Fire and Explosion Hazard!**

- Diesel fuel is extremely flammable and explosive under certain conditions.

- When you remove any fuel system component to perform maintenance (such as changing the fuel filter) place an approved container under the opening to catch the fuel.
- Never use a shop rag to catch the fuel. Vapors from the rag are flammable and explosive.
- Wipe up any spills immediately.
- Wear eye protection. The fuel system is under pressure and fuel could spray out when you remove any fuel system component.
- Only use the key switch to start the engine.
- Never jump-start the engine. Sparks caused by shorting the battery to the starter terminals may cause a fire or explosion.
- If the unit has an electric fuel pump, when you prime the fuel system, turn the key switch to the ON position for 10 to 15 seconds to allow the electric fuel pump to prime the system.
- If the unit has a mechanical fuel pump, when you prime the fuel system, operate the fuel priming lever of the mechanical fuel pump several times until the fuel filter cup is filled with fuel.
- Never open the air vent valve while the fuel system is being primed. The fuel filter has an internal air bleed port.
- Never use diesel fuel as a cleaning agent.
- Never remove the fuel cap with the engine running.
- Only fill the fuel tank with diesel fuel. Filling the fuel tank with gasoline may result in a fire and will damage the engine.
- Never refuel with the engine running.

**⚠ DANGER**

(Continued)

- Keep sparks, open flames or any other form of ignition (match, cigarette, static electric source) well away when refueling.
- Never overfill the fuel tank.
- Fill the fuel tank. Store any containers containing fuel in a well-ventilated area, away from any combustibles or sources of ignition.
- Be sure to place the diesel fuel container on the ground when transferring the diesel fuel from the pump to the container. Hold the hose nozzle firmly against the side of the container while filling it. This prevents static electricity buildup which could cause sparks and ignite fuel vapors.
- Never place diesel fuel or other flammable material such as oil, hay or dried grass close to the engine during engine operation or shortly after shutdown.
- Before you operate the engine, check for fuel leaks. Replace rubberized fuel hoses every two years or every 2000 hours of engine operation, whichever comes first, even if the engine has been out of service. Rubberized fuel lines tend to dry out and become brittle after two years or 2000 hours of engine operation, whichever comes first.
- Failure to comply will result in death or serious injury.

## **⚠ DANGER**

### **Crush Hazard!**



- When you need to transport an engine for repair, have a helper assist you to attach it to a hoist and load it on a truck.
- Never stand under a hoisted engine. If the hoist mechanism fails, the engine will fall on you, causing death or serious injury.
- Failure to comply will result in death or serious injury.

## **⚠ WARNING**

### **Burn Hazard!**



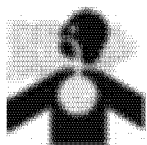
- Batteries contain sulfuric acid. Never allow battery fluid to come in contact with clothing, skin or eyes. Severe burns could result. Always wear safety goggles and protective clothing when servicing the battery. If battery fluid contacts the eyes and/or skin, immediately flush the affected area with a large amount of clean water and obtain prompt medical treatment.
- Failure to comply could result in death or serious injury.

## **⚠ WARNING**

### **Sever Hazard!**



- Keep hands and other body parts away from moving/rotating parts such as the cooling fan, flywheel or PTO shaft.
- Wear tight-fitting clothing and keep your hair short or tie it back while the engine is running.
- Remove all jewelry before you operate or service the machine.
- Never start the engine in gear. Sudden movement of the engine and/or machine could cause death or serious personal injury.
- Never operate the engine without the guards in place.
- Before you start the engine make sure that all bystanders are clear of the area.
- Keep children and pets away while the engine is operating.
- Check before starting the engine that any tools or shop rags used during maintenance have been removed from the area.
- Failure to comply could result in death or serious injury.

**⚠ WARNING****Exhaust Hazard!**

- Never operate the engine in an enclosed area such as a garage, tunnel, underground room, manhole or ship's hold without proper ventilation.
- Never block windows, vents, or other means of ventilation if the engine is operating in an enclosed area. All internal combustion engines create carbon monoxide gas during operation. Accumulation of this gas within an enclosure could cause illness or even death.
- Make sure that all connections are tightened to specifications after repair is made to the exhaust system.
- Failure to comply could result in death or serious injury.

**Alcohol and Drug Hazard!**

- Never operate the engine while you are under the influence of alcohol or drugs.
- Never operate the engine when you are feeling ill.
- Failure to comply could result in death or serious injury.

**⚠ WARNING****Exposure Hazard!**

- Wear personal protective equipment such as gloves, work shoes, eye and hearing protection as required by the task at hand.
- Never wear jewelry, unbuttoned cuffs, ties or loose-fitting clothing when you are working near moving/rotating parts such as the cooling fan, flywheel or PTO shaft.
- Always tie back long hair when you are working near moving/rotating parts such as a cooling fan, flywheel, or PTO shaft.
- Never operate the engine while wearing a headset to listen to music or radio because it will be difficult to hear the alert signals.
- Failure to comply could result in death or serious injury.

**Burn Hazard!**

- Wait until the engine cools before you drain the engine coolant. Hot engine coolant may splash and burn you.
- If you must drain the engine oil while it is still hot, stay clear of the hot engine oil to avoid being burned.
- Always wear eye protection.
- Keep your hands and other body parts away from hot engine surfaces such as the muffler, exhaust pipe, turbocharger (if equipped) and engine block during operation and shortly after you shut the engine down. These surfaces are extremely hot while the engine is operating and could seriously burn you.
- Failure to comply could result in death or serious injury.

## WARNING

### High-Pressure Hazard!



- Avoid skin contact with the high-pressure diesel fuel spray caused by a fuel system leak such as a broken fuel injection line. High-pressure fuel can penetrate your skin and result in serious injury. If you are exposed to high-pressure fuel spray, obtain prompt medical treatment.
- Never check for a fuel leak with your hands. Always use a piece of wood or cardboard. Have your authorized YANMAR industrial engine dealer or distributor repair the damage.
- Failure to comply could result in death or serious injury.

### Shock Hazard!



- Turn off the battery switch (if equipped) or disconnect the negative battery cable before servicing the electrical system.
- Check the electrical harnesses for cracks, abrasions, and damaged or corroded connectors. Always keep the connectors and terminals clean.
- Failure to comply could result in death or serious injury.

## WARNING

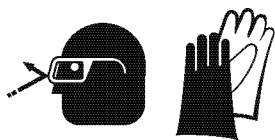
### Entanglement Hazard!



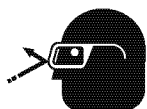
- Stop the engine before you begin to service it.
- Never leave the key in the key switch when you are servicing the engine. Someone may accidentally start the engine and not realize you are servicing it. This could result in a serious injury.
- If you must service the engine while it is operating, remove all jewelry, tie back long hair, and keep your hands, other body parts and clothing away from moving/rotating parts.
- Failure to comply could result in death or serious injury.

### Sudden Movement Hazard!

- Engaging the transmission or PTO at an elevated engine speed could result in unexpected movement of the equipment.
- Failure to comply could result in death or serious injury.

**CAUTION****Engine Coolant Hazard!**

- Wear eye protection and rubber gloves when you handle long life or extended life engine coolant. If contact with the eyes or skin should occur, flush eyes and wash immediately with clean water.
- Failure to comply may result in minor or moderate injury.

**Flying Object Hazard!**

- Always wear eye protection when servicing the engine and when using compressed air or high-pressure water. Dust, flying debris, compressed air, pressurized water or steam may injure your eyes.
- Failure to comply may result in minor or moderate injury.

**NOTICE****Diesel Fuel**

- Poor quality fuel can reduce engine performance and cause damage. Only use diesel fuels recommended by YANMAR for the best engine performance. The recommended fuel complies with the U.S. EPA and ARB protection guidelines.
- Only use clean diesel fuel.
- Keep the fuel tank and fuel-handling equipment clean at all times. Be careful not to let any contaminants or even dust from the outside into the filler port when supplying fuel.
- Never remove the primary strainer (if equipped) from the fuel tank filler port. If removed, dirt and debris could get into the fuel system causing it to clog.
- Be sure to use YANMAR genuine filter for replacing the fuel filter or the water separator filter.

**Engine Lubricating Oil**

- Only use the engine lubricating oil specified. Other oils may affect warranty coverage, cause internal engine components to seize and/or shorten engine life.
- Prevent dirt and debris from contaminating the engine lubricating oil. Carefully clean the oil cap/dipstick and the surrounding area before you remove the cap.
- Never mix different types of engine lubricating oil. This may adversely affect the lubricating properties of the engine oil.
- Always keep the oil level between the upper and lower lines on the oil cap/dipstick.
- Never overfill the engine with engine lubricating oil. Overfilling may result in white exhaust smoke, engine overspeed or internal damage.
- Be sure to use YANMAR genuine filter for replacing the engine lubricating oil filter.

## NOTICE

### Engine Coolant

- Only use the engine coolant specified. Other engine coolants may affect warranty coverage, cause an internal buildup of rust and scale and/or shorten engine life.
- Prevent dirt and debris from contaminating the engine coolant. Carefully clean the radiator cap and the surrounding area before you remove the cap.
- Never mix different types of engine coolants. This may adversely affect the properties of the engine coolant.

### Inspecting and Starting

- If any problem is noted during the visual check, the necessary corrective action should be taken before you operate the engine.
- If the unit has an electric fuel pump, in the case of DI engine, since air is automatically bled, by keeping the key of the starter switch in the ON position for 10 to 15 seconds, the fuel system can be primed. If this is an IDI engine, keep the key in the ON position (within 15 seconds) until fuel without bubbles comes out from the air bleeding bolt. Here, do not turn the key to the START position.
- If the unit has a mechanical fuel pump, when you prime the fuel system, operate the fuel priming lever of the mechanical fuel pump several times until the fuel filter cup is filled with fuel. On top of that, operate the fuel feed pump for several times until fuel without bubbles comes out from the air bleeding bolt.

If any indicator fails to illuminate when the key switch is in the ON position, see your authorized YANMAR industrial engine dealer or distributor for service before operating the engine.

Never hold the key in the START position for longer than 15 seconds.  
Take a pause of at least 30 seconds until the restart. The starter motor may overheat and cause damage.

If the engine fails to start:  
Wait until the engine comes to a complete stop before you attempt to start it again. Engaging the starter while the engine is still rotating will result in damage to the starter and flywheel.

## NOTICE

Never use an engine starting aid such as ether. Engine damage will result.

Never engage the starter motor while the engine is running. This may damage the starter motor pinion and/or ring gear.

### Engine Break-in Period

New engine break-in:

- On the initial engine start-up, allow the engine to idle for approximately 15 minutes while you check for proper engine lubricating oil pressure, diesel fuel leaks, engine lubricating oil leaks, coolant leaks, and for proper operation of the indicators and/or gauges.
- During the first hour of operation, vary the engine speed and the load on the engine. Short periods of maximum engine speed and load are desirable. Avoid prolonged operation at minimum or maximum engine speeds and loads for the next four to five hours.
- During the break-in period, carefully observe the engine lubricating oil pressure and engine coolant temperature.
- During the break-in period, check the engine lubricating oil and coolant levels frequently.

Make sure the engine is installed on a level surface. If a continuously running engine is installed at an angle greater than (30°) in any direction or if an engine runs for short periods of time (less than three minutes) at an angle greater than (35°) in any direction, engine lubricating oil may enter the combustion chamber causing excessive engine speed and white exhaust smoke. This may cause serious engine damage.

### Alarm System

If there is a problem with the engine and/or its control components, the engine failure lamp comes on and indicates the status. If the engine failure lamp illuminates during engine operation, stop the engine immediately. Do not keep running the engine while the engine failure lamp is on. It will not only void the engine warranty, but could result in a serious malfunction of or damage to the engine. Determine the cause and repair the problem before you continue to operate the engine.

**NOTICE**

The illustrations and descriptions of optional equipment in this manual, such as the operator's console, are for a typical engine installation. Refer to the documentation supplied by the optional equipment manufacturer for specific operation and maintenance instructions.

**Environment Conditions for Operation**

Observe the following environmental operating conditions to maintain engine performance and avoid premature engine wear:

- Avoid operating in extremely dusty conditions.
- Avoid operating in the presence of chemical gases or fumes.
- Avoid operating in a corrosive atmosphere such as salt water spray.
- Never expose the engine to the rain.
- If the ambient temperature exceeds +45 °C (+113 °F) or falls below -15 °C (+5 °F), there are possibilities of:
  - If the ambient temperature exceeds +45 °C (+113 °F), engine lubricating oil degrades due to the overheating of the engine.
  - If the ambient temperature falls below -15 °C (+5 °F), parts degrade and shortens its life due to the hardening of the rubber parts.

Contact your authorized YANMAR dealer or distributor when using in such temperature range.

- Further, for engines with turbochargers, be aware that leaving them idling or working in low load in an environment with ambient temperature below -15 °C (+5 °F) may freeze the intake pipe. If this continues, load-operate the engine every three hours to prevent freezing.
- Contact your authorized YANMAR industrial engine dealer or distributor if the engine will be operated at high altitude. High altitude reduces engine power, de-stabilizes operation and generates exhaust gas that exceeds the specification amount in design.

**NOTICE**

- When the engine is operated in dusty conditions, clean the air cleaner element more frequently.
- Never operate the engine with the air cleaner element(s) removed. This may allow foreign material to enter the engine and damage it.
- Be sure to use designated element when replacing the air cleaner element.

The maximum air intake restriction, in terms of differential pressure measurement, must not exceed 0.90 psi (6.23 kPa; 635 mmAq). Clean or replace the air cleaner element if the air intake restriction exceeds the above mentioned value.

**Engine Stop**

For maximum engine life, YANMAR recommends that when shutting the engine down, you allow the engine to idle, without load, for five minutes. This will allow the engine components that operate at high temperatures, such as the turbocharger (if equipped) and exhaust system, to cool slightly before the engine itself is shut down.

**Battery and Electrical Equipment**

Always keep the battery in a best charged state. Electronic controlled engines may not be able to start.

Use a specialized battery charger to recharge a battery with a voltage of 8 volts or less. Booster starting a battery with a voltage of 8 volts or less will generate an abnormally high voltage and destroy electrical equipment.

When unavoidably using a rapid charger to recharge, do not insert and turn the starter key to ON position while the battery is being charged. Avoid using a charger equipped with a boost function (cell start support) to start the engine. Excessive voltage may be applied to the ECU of electronic controlled engines, resulting in damage to the ECU.

## NOTICE

Removing the battery cables or the battery while the engine is operating may cause damage to the current limiter depending on the electrical equipment being used. This situation could cause loss of control of output voltage. The continuous high voltage of 23 - 24 volts (for 5000 min<sup>-1</sup> (rpm) dynamo) will damage the current limiter and other electrical equipment.

---

Reversing the battery cable connections at the battery or on the engine will destroy the SCR diode in the current limiter. This will cause the charging system to malfunction and may cause damage to the electrical harnesses.

---

Do not remove the positive (+) battery cable from alternator terminal B while the engine is operating. Damage to the alternator will result.

---

Do not turn the battery switch OFF (if equipped) while the engine is operating. Damage to the alternator will result.

---

Do not reverse the positive (+) and negative (-) ends of the battery cable. The alternator diode and stator coil will be damaged.

---

When the battery indicator goes out, it should not come on again. The battery indicator only comes on during operation if the alternator fails. However, if an LED is used in the battery indicator, the LED will shine faintly during normal operation.

---

Using a non-specified V-belt will cause inadequate charging and shorten the belt life. Use the specified belt.

---

Agricultural or other chemicals, especially those with a high sulfur content, can adhere to the IC regulator. This will corrode the conductor and result in battery over-charging (boiling) and charging malfunctions. Consult YANMAR before using the equipment in such an environment or the warranty is voided.

## NOTICE

### **ECU (Engine Controller) of Electronic Controlled Engine**

- Do not plug or unplug the ECU for a period of at least 60 seconds after power to the unit has been turned on or off.
  - Do not touch connector pins of the ECU with bare hands. Doing so may result in corrosion of the connector pins and/or damage to the internal circuits of the ECU due to static electricity.
  - Do not force a measuring probe into the female coupler. Doing so may cause contact failure of the connector pins, resulting in malfunction of the ECU.
  - Take care to prevent water from entering the couplers when plugging or unplugging the connector. Water inside the couplers may cause corrosion, resulting in malfunction of the ECU.
  - Avoid plugging/unplugging the connector more than approx. 10 times. Frequent plugging/unplugging of the connector may cause contact failure of the connector pins, resulting in malfunction of the ECU.
  - Do not use the ECU that has ever suffered drop impact.
  - Do not disassemble the ECU terminal.
- 

### **High-pressure Cleaning**

Put a cover to protect the air cleaner, turbocharger (if equipped) and electric components from damage when you use steam or high-pressure water to clean the engine.

---

Never use high-pressure water or compressed air at greater than 28 psi (193 kPa; 19686 mmAq) or a wire brush to clean the radiator fins. Radiator fins damage easily.

**NOTICE**

- Do not use a high-pressure cleaner directly on the alternator. Water will damage the alternator and result in inadequate charging.
- The starter motor is water-proofed according to JIS D 0203, R2 which protects the motor from rain or general cleaning. Do not use high-pressure cleaner or submerge the starter motor in water.
- Avoid using high-pressure cleaner for electronic or electric devices installed in, on or around the engine, including the ECU of electronic controlled engine, relays and harness couplers.

Otherwise such devices may suffer malfunction due to water ingress into them.

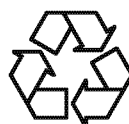
**Periodic Maintenance**

Establish a periodic maintenance plan according to the engine application and make sure you perform the required periodic maintenance at intervals indicated. Failure to follow these guidelines will impair the engine's safety and performance characteristics, shorten the engine's life and may affect the warranty coverage on your engine.

Periodic maintenance prevents unexpected downtime, reduces the number of accidents due to poor machine performance and helps extend the life of the engine.

The tightening torque in the Standard Torque Chart in the *Periodic Maintenance Section of this manual* should be applied only to the bolts with a "7" head. (JIS strength classification: 7T)

- Apply 60 % torque to bolts that are not listed.
- Apply 80 % torque when tightened to aluminum alloy.

**NOTICE**

- Always be environmentally responsible.

- Follow the guidelines of the EPA or other governmental agencies for the proper disposal of hazardous materials such as engine oil, diesel fuel and engine coolant. Consult the local authorities or reclamation facility.
- Never dispose of hazardous materials irresponsibly by dumping them into a sewer, on the ground, or into ground water or waterways.
- Failure to follow these procedures may seriously harm the environment.

- Never attempt to modify the engine's design or safety features such as defeating the engine speed limit control.
- Never attempt to adjust the low or high idle speed limit screw. This may impair the safety and performance of the machine and shorten its life. If adjustment is ever required, contact your authorized YANMAR industrial engine dealer or distributor.
- Modifications may impair the engine's safety and performance characteristics and shorten the engine's life. Any alterations to this engine may void its warranty. Be sure to use YANMAR genuine replacement parts.

**Operating the Engine or the Machine**

- Never permit anyone to operate the engine or driven machine without proper training.
- Read and understand this Operation Manual before you operate or service the machine to ensure that you follow safe operating practices and maintenance procedures.
- Machine safety signs and labels are additional reminders for safe operating and maintenance techniques.

## NOTICE

### Precautions for Handling Desiccant

#### Disposal:

This material is disposable as non-flammable.

however, the bag is flammable and if it is necessary, then tear the bag and discard the bag and the contents separately.

It is desirable to bury the contents in the bag under ground.

Dispose in accordance with the disposal standards for industrial waste defined by local laws and regulations.

#### Handling:

The contents of the bag do not leak out in the normal use.

Take the following emergency measures, however, if the contents leak out.

- If the contents get on the skin, rinse thoroughly with running water.
- If the contents get in the eyes, rinse thoroughly with water. Consult with doctors when any abnormalities are found.
- If the contents get in the mouth, rinse thoroughly with water. Drink water to dilute if the content is swallowed, though a small amount is harmless. Consult with doctors when any abnormalities are found.

#### Characteristics of materials:

- |                                         |              |
|-----------------------------------------|--------------|
| • Calcium Chloride (CaCl <sub>2</sub> ) | Approx. 57 % |
| • Grain Polysaccharide                  | Approx. 28 % |
| • Grain Skins                           | Approx. 9 %  |
| • Ethylene Polymer (Bag)                | Approx. 5 %  |

#### Hazard information:

- |                  |             |
|------------------|-------------|
| • Explosiveness  | None        |
| • Inflammability | Inflammable |
| • Combustibility | None        |
| • Oxidation      | None        |

# PRODUCT OVERVIEW

---

## YANMAR TNV ENGINE FEATURES AND APPLICATIONS

YANMAR's series of TNV engines are environmentally friendly and are designed to:

- Lower the amount of exhaust gas emissions.
- Reduce engine noise and vibration.
- Be easy to start thanks to the specially designed fuel injection pump and combustion system.
- Be economical to run because diesel fuel and engine oil consumption are reduced.
- Be easy to operate due to the minimum amount of required maintenance and their compact design.
- Be durable and reliable due in part to the newly designed fuel injection valve and fuel injection pump.

YANMAR TNV engines are designed to supply power to a wide variety of driven machines including:

- Construction
- Agriculture
- Power generation

We are sure that you will agree these features provide excellent value in an industrial diesel engine.

These engines are designed to deliver power to driven machines by means of a "direct coupled drive" or "belt drive." In direct coupled drive engine applications, the engine's flywheel housing or end plate is coupled directly to the driven machine. In belt drive engine applications, a belt drive is used to power the driven machine. If you have applications that require a belt drive and/or front power take-off (PTO), please contact your authorized YANMAR industrial engine dealer or distributor.

The engine is designed for a wide range of applications. Options, such as fuel tank, control panel, indicators, gauges and alarms, are available to customize the application.

Since designing the application and installing the engine require special knowledge and skill, always consult your authorized YANMAR industrial engine dealer or distributor for these services. They will help you:

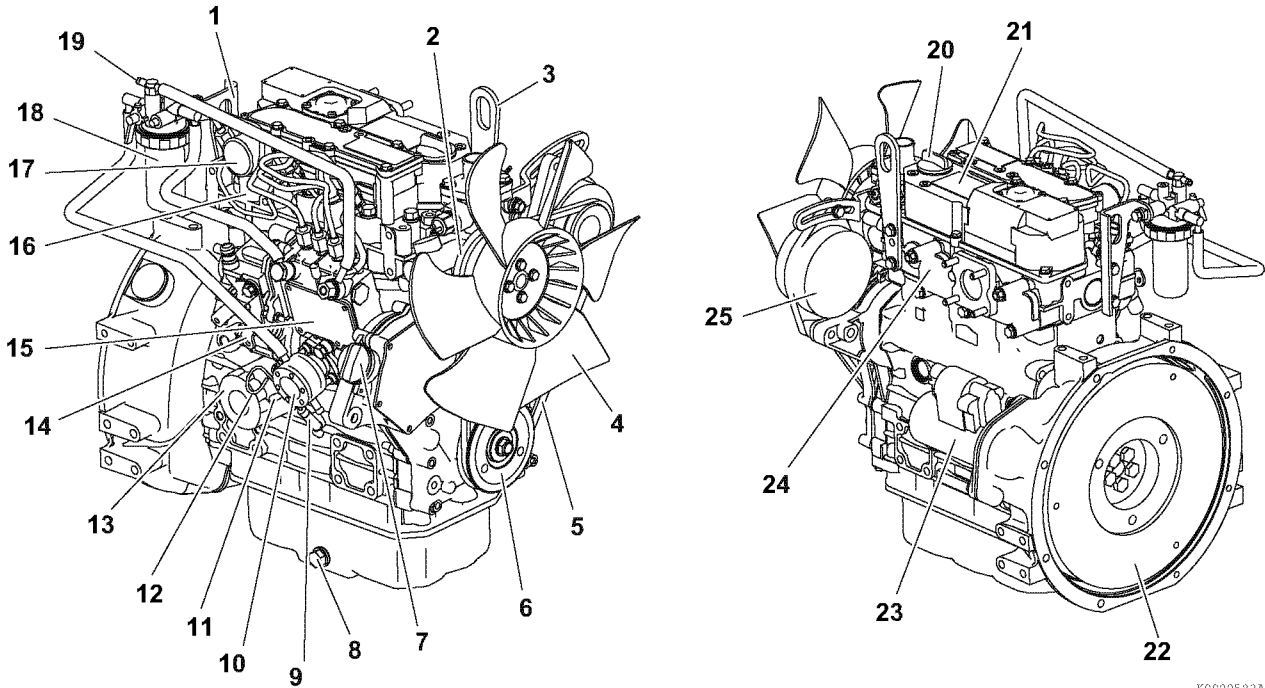
- Select optional equipment. Optional equipment should be selected to match the work conditions and environment.
- Maximize engine performance with a minimum amount of downtime and safety related incidents by carefully matching the characteristics of the engine with the driven machine.
- Plan for safe fuel piping, exhaust piping, electrical wiring, ventilation and accurate engine installation.
- Design your applications so they meet requirements of the local authorities.

COMPONENT IDENTIFICATION



2TNV70, 3TNV70, 3TNV76

Figure 1 shows where major indirect injection engine components are located.



K0000583A

- |                                          |                                         |
|------------------------------------------|-----------------------------------------|
| 1 – Lifting eye (flywheel end)           | 14 – Governor lever                     |
| 2 – Engine coolant pump                  | 15 – Fuel injection pump                |
| 3 – Lifting eye (engine cooling fan end) | 16 – Intake manifold                    |
| 4 – Engine cooling fan                   | 17 – Air intake port (from air cleaner) |
| 5 – V-belt                               | 18 – Fuel filter                        |
| 6 – Crankshaft V-pulley                  | 19 – Fuel return to fuel tank           |
| 7 – Side filler port (engine oil)        | 20 – Top filler port (engine oil)       |
| 8 – Drain plug (engine oil)*1            | 21 – Rocker arm cover                   |
| 9 – Fuel inlet                           | 22 – Flywheel                           |
| 10 – Mechanical fuel pump                | 23 – Starter motor                      |
| 11 – Fuel priming lever                  | 24 – Exhaust manifold                   |
| 12 – Dipstick (engine oil)               | 25 – Alternator                         |
| 13 – Engine oil filter                   |                                         |

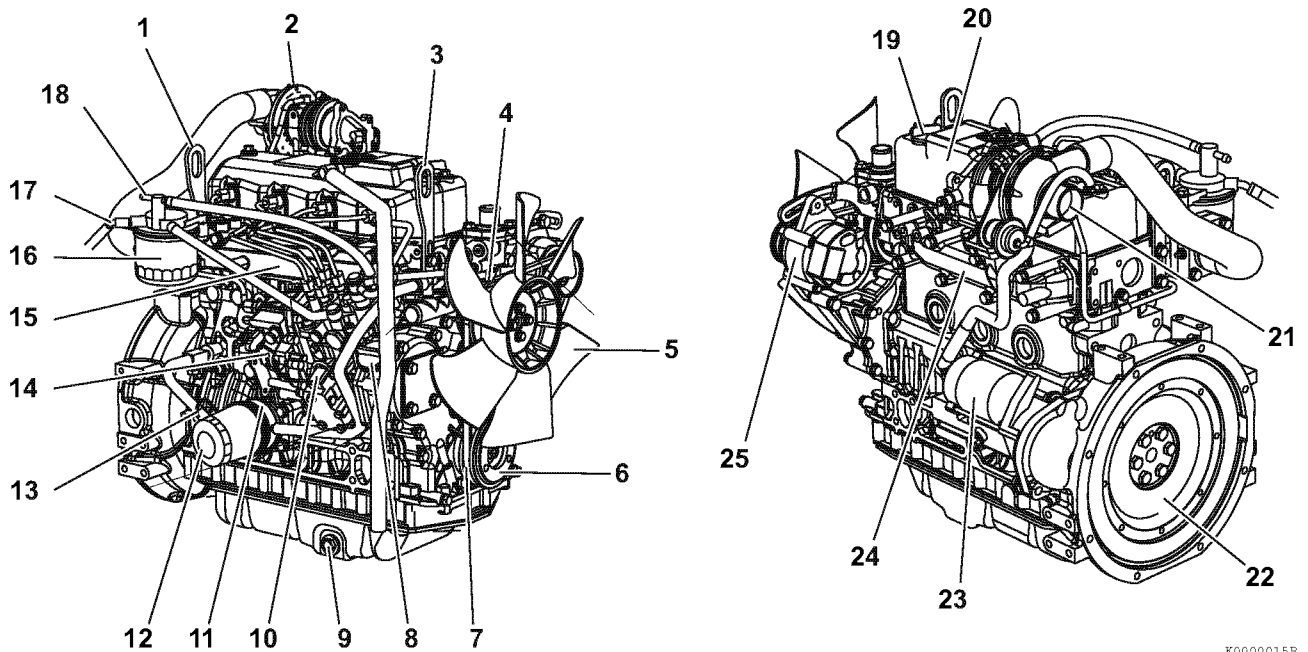
Figure 1

\*1: Engine oil drain plug location may vary based on oil pan options.



3TNV82A, 3TNV84, 3TNV84T, 3TNV88, 4TNV84, 4TNV84T, 4TNV88, 4TNV94L, 4TNV98, 4TNV98T, 4TNV106, 4TNV106T, 3TNV82A-B, 3TNV84T-Z, 3TNV84T-B, 3TNV88-Z, 3TNV88-B, 3TNV88-E, 3TNV88-U, 4TNV88-Z, 4TNV88-B, 4TNV88-U

Figure 2 shows where major direct injection engine components are located.



K0000015B

- |                                          |                                         |
|------------------------------------------|-----------------------------------------|
| 1 – Lifting eye (flywheel end)           | 14 – Governor lever                     |
| 2 – Turbocharger*1                       | 15 – Intake manifold                    |
| 3 – Lifting eye (engine cooling fan end) | 16 – Fuel filter                        |
| 4 – Engine coolant pump                  | 17 – Fuel inlet                         |
| 5 – Engine cooling fan                   | 18 – Fuel return to fuel tank           |
| 6 – Crankshaft V-pulley                  | 19 – Top filler port (engine oil)       |
| 7 – V-belt                               | 20 – Rocker arm cover                   |
| 8 – Side filler port (engine oil)        | 21 – Air intake port (from air cleaner) |
| 9 – Drain plug (engine oil)*2            | 22 – Flywheel                           |
| 10 – Fuel injection pump                 | 23 – Starter motor                      |
| 11 – Engine oil cooler*3                 | 24 – Exhaust manifold                   |
| 12 – Engine oil filter                   | 25 – Alternator                         |
| 13 – Dipstick (engine oil)               |                                         |

Figure 2

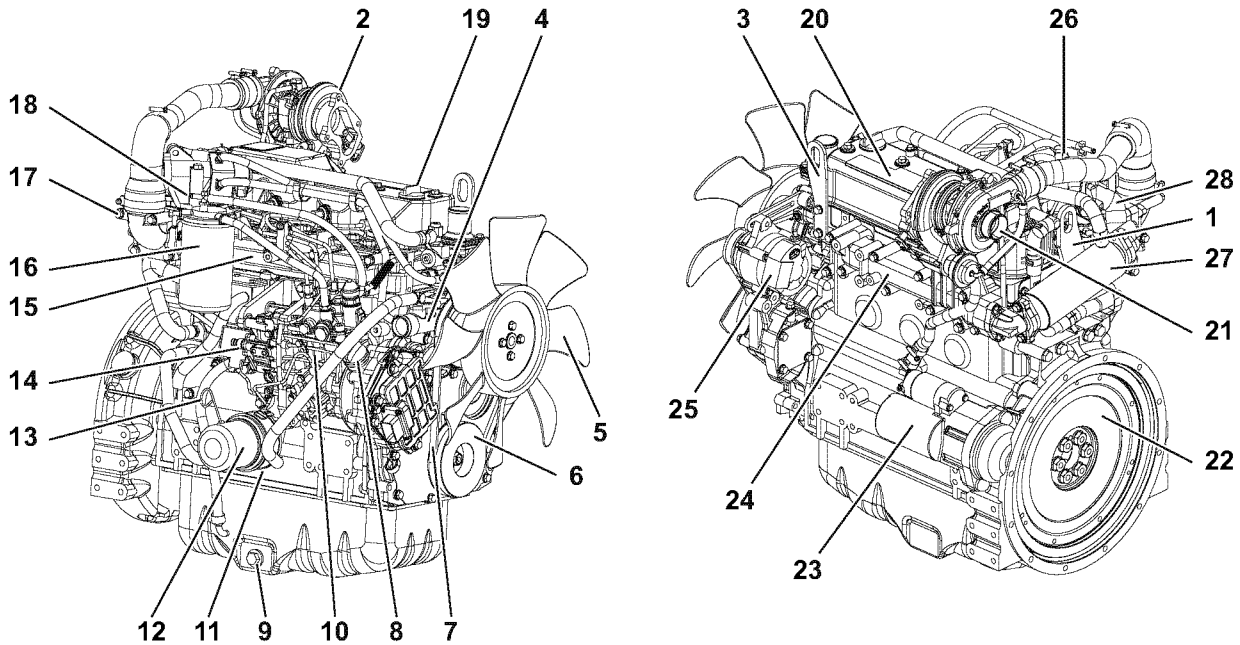
\*1: Only applies to 3TNV84T, 4TNV84T, 4TNV98T, 4TNV106T.  
 \*2: Engine oil drain plug location may vary based on oil pan options.  
 \*3: Not standard on all direct injection models.

# PRODUCT OVERVIEW



## 4TNV84T-Z, 4TNV98-E, 4TNV98-Z, 4TNV98T-Z

Figure 3 shows where major direct injection engine components are located.



- |                                           |                                         |
|-------------------------------------------|-----------------------------------------|
| 1 – Lifting eye (flywheel end)            | 15 – Intake manifold                    |
| 2 – Turbocharger* <sup>1</sup>            | 16 – Fuel filter                        |
| 3 – Lifting eye (engine cooling fan end)  | 17 – Fuel inlet                         |
| 4 – Engine coolant pump                   | 18 – Fuel return to fuel tank           |
| 5 – Engine cooling fan                    | 19 – Top filler port (engine oil)       |
| 6 – Crankshaft V-pulley                   | 20 – Rocker arm cover                   |
| 7 – V-belt                                | 21 – Air intake port (from air cleaner) |
| 8 – Side filler port (engine oil)         | 22 – Flywheel                           |
| 9 – Drain plug (engine oil)* <sup>2</sup> | 23 – Starter motor                      |
| 10 – Fuel injection pump                  | 24 – Exhaust manifold                   |
| 11 – Engine oil cooler* <sup>3</sup>      | 25 – Alternator                         |
| 12 – Engine oil filter                    | 26 – EGR valve                          |
| 13 – Dipstick (engine oil)                | 27 – EGR cooler* <sup>4</sup>           |
| 14 – Eco-governor                         | 28 – EGR pipe                           |

**Figure 3**

\*1: Only applies to 4TNV84T-Z, 4TNV98T-Z.

\*2: Engine oil drain plug location may vary based on oil pan options.

\*3: Not standard on all direct injection models.

\*4: Only applies to 4TNV84T-Z, 4TNV98T-Z.

## LOCATION OF LABELS



Figure 4 shows the location of the engine nameplate and regulatory labels on YANMAR TNV series indirect injection model engines.

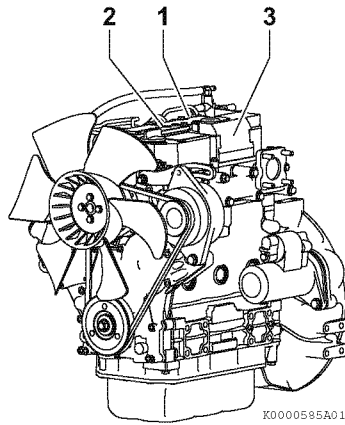


Figure 4

Typical location of the engine nameplate is on the top of the cylinder head cover. (1, **Figure 4**)

The typical location of the EPA/ARB certification label is on the top of the cylinder head cover. (2, **Figure 4**)

The typical location of the EU certification label is on the side face of engine cylinder head cover (exhaust side). (3, **Figure 4**)



Figure 5 shows the location of the engine nameplate and regulatory labels on YANMAR TNV series direct injection model engines.

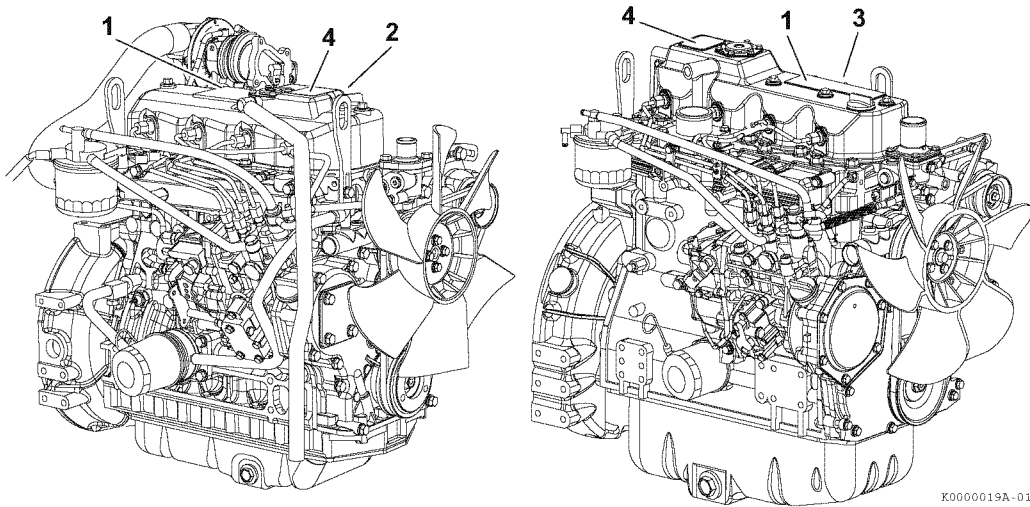


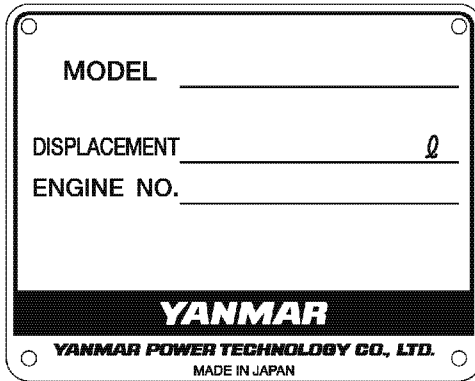
Figure 5

### ■ Location of labels/nameplates on direct injection model engines

Model	Engine nameplate	EPA/ARB certification label	EU certification label
3TNV82A, 3TNV84, 3TNV84T, 3TNV88, 3TNV82A-B, 3TNV88-Z, 3TNV88-B, 3TNV88-U, 3TNV84T-B, 3TNV84T-Z	On the top of the locker arm cover (cooling fan end) (4, <b>Figure 5</b> left)	On the top of the locker arm cover (flywheel end) (1, <b>Figure 5</b> left)	On the exhaust side of the locker arm cover (near the flywheel) (2, <b>Figure 5</b> left)
4TNV84, 4TNV88, 4TNV84T, 4TNV88-Z, 4TNV88-B, 4TNV88-U, 4TNV84T-Z	On the top of the locker arm cover (cooling fan end) (4, <b>Figure 5</b> left)	On the top of the locker arm cover (flywheel end) (1, <b>Figure 5</b> left)	On the exhaust side of the locker arm cover (near the flywheel) (1, <b>Figure 5</b> left)
4TNV94L, 4TNV98, 4TNV98T, 4TNV106, 4TNV106T, 4TNV98-Z, 4TNV98-E, 4TNV98T-Z	On the top of the locker arm cover (flywheel end) (4, <b>Figure 5</b> right)	On the top of the locker arm cover (center) (1, <b>Figure 5</b> right)	On the top of the locker arm cover (fan end) (3, <b>Figure 5</b> left)

## PRODUCT OVERVIEW

### Engine Nameplate (Typical)



### Emission Certification Labels

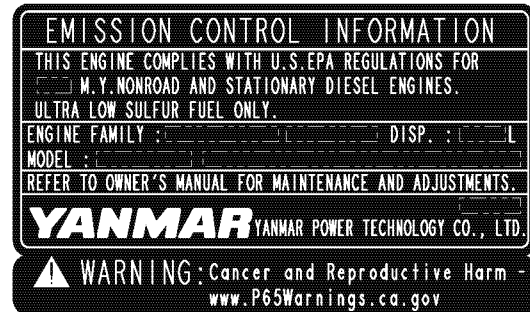
Since emission control regulations are being issued on a global basis, it is necessary to identify which regulations a particular engine complies with. We have listed several different types of labels you might find on your engine.

### EPA/ARB Labels (Typical)

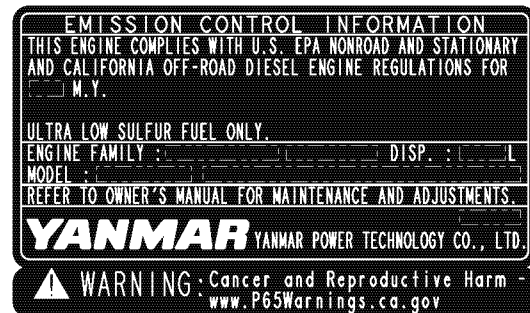
EPA: United States Environmental Protection Agency

ARB: California Air Resources Board

#### ■ EPA

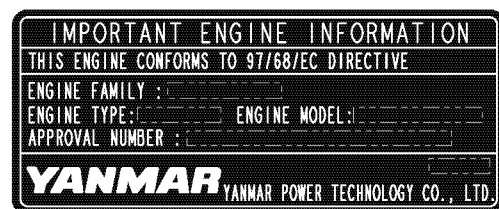


#### ■ EPA and ARB

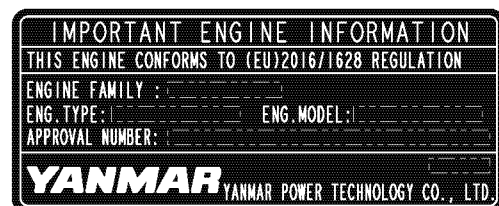


### EU Labels (Typical)

#### ■ 97/68/EC Directive



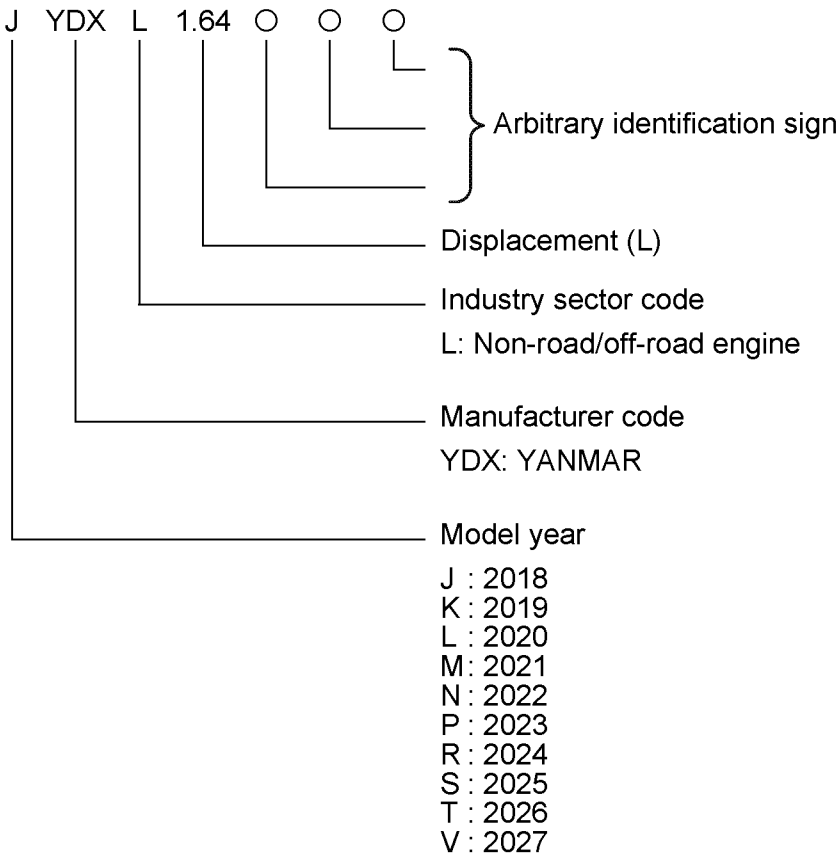
#### ■ EU Regulation 2016/1628





Note: This regulation is the amending of 97/68/EC directive as Stage V.



## ENGINE FAMILY

The EPA/ARB labels have an Engine Family field.  
 The following is an explanation of the Engine Family field designation:



## FUNCTION OF MAJOR ENGINE COMPONENTS

Components	Functions
Air cleaner	The air cleaner prevents airborne contaminants from entering the engine. Since the air cleaner is application specific, it must be carefully selected by an application engineer. It is not part of the basic engine package as shipped from the YANMAR factory. Periodic replacement of the air cleaner filter element is necessary. See the <i>Periodic Maintenance Schedule on page 82</i> for the replacement frequency.
Alternator	The alternator is driven by a V-belt which is powered by the crankshaft V-pulley. The alternator supplies electricity to the engine systems and charges the battery while the engine is running.
Dipstick (engine oil)	The engine oil dipstick is used to determine the amount of engine oil in the crankcase.
Electric fuel pump	The electric fuel pump makes sure there is a constant supply of diesel fuel to the fuel injection pump. The electric fuel pump is electro-magnetic and runs on 12 V DC. An electric fuel pump may be installed as an option or as standard equipment. Standard equipment may vary based on engine model and specification. If an electric fuel pump is installed, turn the key switch to the ON position for 10 to 15 seconds to prime the fuel system.
Engine oil filter	The engine oil filter removes contaminants and sediment from the engine oil. Periodic replacement of the engine oil filter is necessary. See the <i>Periodic Maintenance Schedule on page 82</i> for the replacement frequency.
 Engine oil cooler (if equipped)	The engine oil cooler helps to keep the engine oil cool. Engine coolant from the cooling system is circulated by the coolant pump through an adapter at the base of the engine to the oil cooler and then to the cylinder block and back to the coolant pump.
Fuel filter	The fuel filter removes contaminants and sediments from the diesel fuel. Periodic replacement of the fuel filter is necessary. See the <i>Periodic Maintenance Schedule on page 82</i> for the replacement frequency. Please note that the word “diesel” is implied throughout this manual when the word “fuel” is used.
Fuel filter/water separator	The fuel filter/water separator removes contaminants, sediment and water from diesel fuel going to the fuel filter. This is a required component of the fuel system and is standard equipment with every engine. The separator is installed between the fuel tank and the fuel pump. Periodically drain the water from the fuel filter/water separator using the drain cock at the bottom of the separator.
 Fuel priming lever	If the unit has a mechanical fuel pump, a fuel priming lever on the mechanical fuel pump primes the fuel system. The fuel system needs to be primed before you start the engine for the first time, if you run out of fuel, or if fuel system service is performed. To prime the fuel system, operate the fuel priming lever until the cup in the fuel filter is full of fuel.
Fuel tank	The fuel tank is a reservoir that holds diesel fuel. When fuel leaves the fuel tank it goes to the fuel filter/water separator. Next, fuel is pumped to the fuel filter by the electric or mechanical fuel pump. Next the fuel goes to the fuel injection pump. Since fuel is used to keep the fuel injection pump cool and lubricated, more fuel than necessary enters the injection pump. When the injection pump pressure reaches a preset value, a relief valve allows excess fuel to be returned back to the fuel tank. The fuel tank is a required engine component.

Components	Functions
 Mechanical fuel pump	The mechanical fuel pump is a diaphragm-type of pump and is installed on the fuel injection pump body. The mechanical fuel pump is driven by a cam on the camshaft of the fuel injection pump. An electric fuel pump is available as an option. The mechanical fuel pump is not installed on the fuel injection pump if the electric fuel pump option is installed.
Side and top filler port (engine oil)	You can fill the crankcase with engine oil from either the side or top filler port depending upon which one is most convenient.
Starter motor	The starter motor is powered by the battery. When you turn the key switch in the operator's console to the START position, the starter motor engages with the ring gear installed on the flywheel and starts the flywheel in motion.
 Turbocharger (only applies to 3TNV84T, 4TNV84T, 4TNV98T, 4TNV106T)	The turbocharger pressurizes the air coming into the engine. It is driven by a turbine that is energized by exhaust gases.

### FUNCTION OF COOLING SYSTEM COMPONENTS

Components	Functions
<b>Cooling system</b>	<p>The TNV engine is liquid-cooled by means of a cooling system. The cooling system consists of a radiator, radiator cap, engine cooling fan, engine coolant pump, thermostat, and reserve tank.</p> <p>Note that all cooling system components are required for proper engine operation. Since some of the components are application specific, they must be carefully selected by an application engineer. The application specific items are not part of the basic engine package as shipped from the YANMAR factory.</p>
• Engine cooling fan	<p>The engine cooling fan is driven by a V-belt which is powered by the crankshaft V-pulley. The purpose of the engine cooling fan is to circulate air through the radiator.</p>
• Engine coolant pump	<p>The engine coolant pump circulates the engine coolant through the cylinder block and cylinder head and returns the engine coolant to the radiator.</p>
• Radiator	<p>The radiator acts as a heat exchanger. As the engine coolant circulates through the cylinder block it absorbs heat. The heat in the engine coolant is dissipated in the radiator. As the engine cooling fan circulates air through the radiator, the heat is transferred to the air.</p>
• Radiator cap	<p>The radiator cap controls the cooling system pressure. The cooling system is pressurized to raise the boiling point of the engine coolant. As the engine coolant temperature rises, the system pressure and the coolant volume increases. When the pressure reaches a preset value, the release valve in the radiator cap opens and the excess engine coolant flows into the reserve tank. As the engine coolant temperature is reduced, the system pressure and volume is reduced and the vacuum valve in the radiator cap opens allowing engine coolant to flow from the reserve tank back into the radiator.</p>
• Reserve tank	<p>The reserve tank contains the overflow of engine coolant from the radiator. If you need to add engine coolant to the system, add it to the reserve tank, not the radiator.</p>
• Thermostat	<p>A thermostat is placed in the cooling system to prevent engine coolant from circulating into the radiator until the engine coolant temperature reaches a preset temperature. When the engine is cold, no engine coolant flows through the radiator. Once the engine reaches its operating temperature the thermostat opens and allows engine coolant to flow through the radiator. By letting the engine warm up as quickly as possible, the thermostat reduces engine wear, deposits and emissions.</p>

## ELECTRONIC CONTROL SYSTEM



4TNV84T-Z, 4TNV98-E, 4TNV98-Z, 4TNV98T-Z

### **⚠ WARNING**

- Never use the E-ECU for other purposes than intended or in other ways than specified by YANMAR. Doing so could result in the violation of emission control regulations and will void the product warranty.
- Be sure to use the E-ECU in conjunction with the engines whose models or serial numbers are specified by YANMAR. Other E-ECU/engine combinations than specified will void the engine warranty.
- Replacing the fuel injection pump involves rewriting the fuel injection data in the E-ECU. Be sure to contact your local YANMAR dealer before replacing the fuel injection pump. Failure to rewrite the fuel injection data before replacing the fuel injection pump will void the engine warranty.
- Replacing the E-ECU involves migrating the fuel injection data to the existing E-ECU to the new unit. Be sure to contact your local YANMAR dealer before replacing the E-ECU. Failure to migrate the fuel injection data before replacing the E-ECU will void the engine warranty.
- Improper use or misuse of the E-ECU may result in death or serious injury due to an abrupt and unexpected increase in engine speed.

### **NOTICE**

Shut down the engine if the fault indicator comes on.

Continuing running the engine with the fault indicator being on may result in a serious malfunction of or damage to the engine, and will void the engine warranty.

### **NOTICE**

Do not energize the starter for a period of longer than 15 seconds.

Take a pause of at least 30 seconds between energization of the starter.

Otherwise the starter could suffer damage.

### **NOTICE**

- High-pressure washing not recommended..
- Avoid using high-pressure washing for electronic or electric devices installed in, on or around the engine, including the E-ECU, relays and harness couplers.

Otherwise such devices may suffer malfunction due to water ingress into them.

### **NOTICE**

- Do not plug or unplug the E-ECU for a period of at least 6 seconds after power to the unit has been turned on or off.
- Do not touch connector pins of the E-ECU with bare hands.  
Doing so may result in corrosion of the connector pins and/or damage to the internal circuits of the E-ECU due to static electricity.
- Do not force a measuring probe into the female coupler.  
Doing so may cause contact failure of the connector pins, resulting in malfunction of the E-ECU.
- Take care to prevent water from entering the couplers when plugging or unplugging the connector.  
Water inside the couplers may cause corrosion, resulting in malfunction of the E-ECU.
- Avoid plugging/unplugging the connector more than approx. 10 times.  
Frequent plugging/unplugging of the connector may cause contact failure of the connector pins, resulting in malfunction of the E-ECU.
- Do not use the E-ECU that has ever suffered drop impact.

### **NOTICE**

Always check the battery for proper charge.

Otherwise the electronically controlled engines may fail to start.

---

Model 4TNV84T-Z, 4TNV98-E, 4TNV98-Z and 4TNV98T-Z engines come with the Exhaust Gas Recirculation (EGR) system to conform to the engine emission regulations (EPA 2008 rules). The EGR system and an electronic governor (Eco-governor) constitute an electronic engine control system.

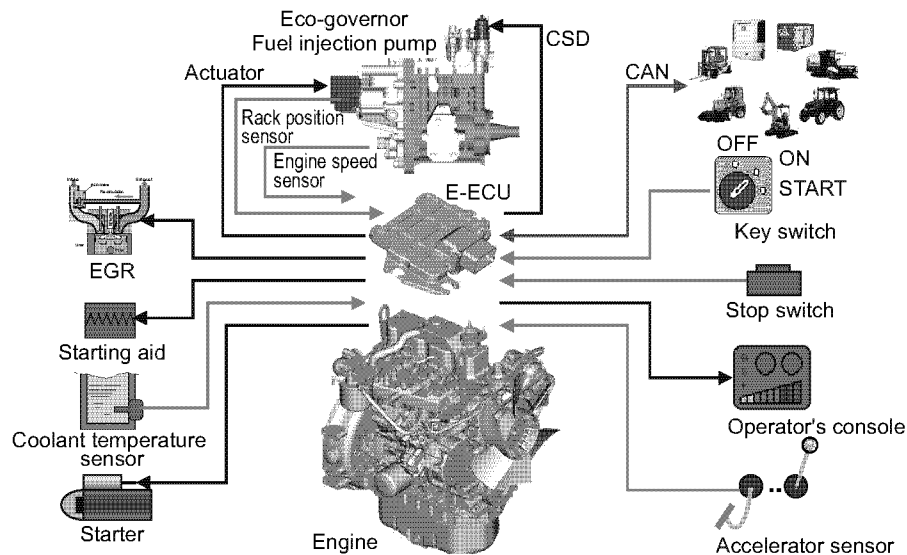
The electronic engine control system regulates the exhaust gas recirculation flow rate and the fuel injection volume depending on the engine load and speed signals from the engine controller (E-ECU), so that the exhaust gas is kept clean according to the emission control regulations. **Figure 6** illustrates the electronic engine control system.

Features of the electronic engine control system include:

- Engine speed control schemes  
Droop control/Low-idling speed up/Auto deceleration/High-idling speed down/Black smoke suppression
- Starting aid  
Auto preheating/After heating
- Engine failure detection
- CAN communication with the control system of the driven machine

The above features are detailed in the table on the next pages.

Consult the operation manual for the driven machine for applicability of the features that depends on the machine.



**Figure 6**

# PRODUCT OVERVIEW

## Main Electronic Control Components and Features



4TNV84T-Z, 4TNV98-E, 4TNV98-Z, 4TNV98T-Z

Component/feature		Description
Engine controller (E-ECU)		Adjusts the rack position of the fuel injection pump depending on the speed command signal from the accelerator sensor, thus regulating the engine speed and power. The engine controller also regulates the opening of the EGR valve depending on the engine speed and power. It serves as the master station for the following components/control features.
Electronic governor (Eco-governor)		Consists of the engine speed sensor, rack actuator, etc., and is directly connected to the fuel injection pump in order to regulate the rack position of the fuel injection pump depending on the signals communicated with the E-ECU.
Fuel injection pump (for Eco-governor)		Is of single plunger type and equipped with a CSD solenoid valve that allows the fuel injection timing to advance and the injection quantity to increase, thereby improving the cold start performance of the engine.
EGR valve		Controls the exhaust gas recirculation flow rate depending on the engine speed/load signals from the E-ECU. It is installed on the top of the exhaust manifold.
Accelerator sensor		Unlike mechanical governors, the Eco-governor has no governor lever. The accelerator sensor serves as the governor lever to provide the speed command signal (voltage signal) to the E-ECU for engine speed control. It is installed in the operator cabin of the driven machine. Constant speed engines for e.g. generator use do not require accelerator sensors because the engine speed can be shifted via a switch on the operator's console.
	Optional	CAN communication capability is available as an option.
Fault indicator		Is installed on the operator's console. If a fault occurs in the E-ECU or Eco-governor, the fault indicator flashes alerting the operator to a fault. The number of flashes and/or the flashing pattern vary depending on the type or source of the fault, enabling quick-fix.
	Optional	
Engine diagnosis tool		Allows the operator to troubleshoot the cause of a problem based on detailed information regarding the problem occurring in the E-ECU or Eco-governor. This tool can also be used for data maintenance tasks including programming and mapping. See <i>Troubleshooting Chart on page 108</i> .
	Option for service	
Engine coolant temperature sensor		Allows the CSD and ERG to be controlled in engine cold-start conditions.
Glow plugs Air heater	Optional	When the key switch is turned to the ON position, the glow plugs/air heater are/is energized for up to 15 seconds (glow plugs) or up to 23 seconds (air heater). The duration of energization depends on the engine coolant temperature. The HEAT indicator is on during energization. When the indicator goes out, turn the key switch to the START position to start the engine.

Component/feature		Description
After heater	Optional	In extreme cold start conditions, the after heater is energized for up to 80 seconds or until the coolant temperature reaches 10 °C after the engine has started, in order to help ensure the engine continues to run without stall. This option is not available for glow plug engines.
Droop control	Standard with VM series	Reduces the engine speed by a certain percentage from no load to full (rated) load in steady state operation. The same percentage droop is maintained even when the load increases at any no-load speed.
Isochronous control	Standard with CL series Optional with VM series	Offers a constant engine speed from no load to full load. The engine speed does not decrease even when the load increases at any no-load speed.
Low-idling speed up		Increases the low-idling speed to up to 1000 min <sup>-1</sup> (rpm) depending on the engine coolant temperature. When the coolant temperature reaches a predetermined value, this feature returns the engine speed to the normal low idle setting, thus reducing the warm-up time.
High-idling speed down	Optional	Decreases the high-idling speed depending on the engine coolant temperature. When the coolant temperature falls to a predetermined value, this feature returns the engine speed to the normal high idle setting, thus minimizing the emission of white smoke at low temperatures.
Auto deceleration	Optional	Brings the running engine in low idle mode automatically when the accelerator pedal is not operated for a predetermined period of time. When the pedal is operated, i.e., the accelerator sensor is activated, the low idle mode is cancelled.

## GAUGES AND INDICATORS

The operator's console provides you with the means to start and stop the unit and a series of gauges and indicators that inform you about the current status of the engine. This is a required engine component. Since the operator's console is application specific, it must be carefully selected by an application engineer. It is not part of the basic engine package as shipped from the YANMAR factory.

### NOTICE

The illustrations and descriptions of optional equipment in this manual, such as the operator's console, are for a typical engine installation. Refer to the documentation supplied by the optional equipment manufacturer for specific operation and maintenance instructions.

## Gauges

The following gauges are located on a typical operator's console. Some operator's consoles may not have the gauges described here or may have different gauges.

### 1 Tachometer

The tachometer display shows the engine speed in revolutions per minute (RPM).

### 2 Engine coolant temperature

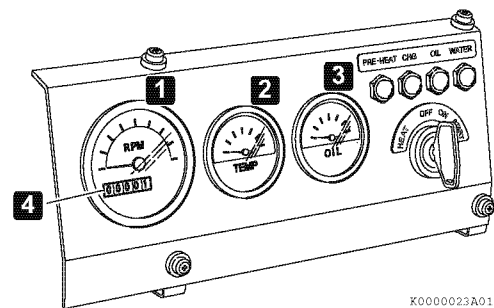
The engine coolant temperature display shows the temperature of the engine coolant.

### 3 Engine oil pressure

The engine oil pressure display shows the pressure of the engine oil.

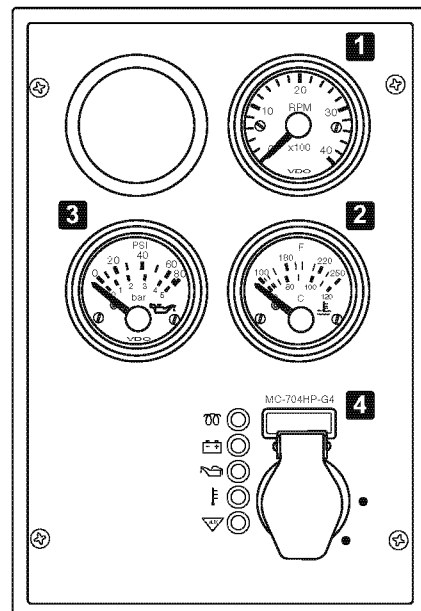
### 4 Hourmeter

The hour meter display shows the total number of hours the engine has run. This is useful for planning the *Periodic Maintenance Procedures on page 84*.



K0000023A01

Figure 7



K0000024A01

Figure 8

## Indicators

The following indicators are located on a typical operator's console.

### 1 HEAT indicator

The pre-heat function is automatically activated when the key switch is turned to the ON position. The indicator flashes for several seconds (4 sec. for IDI models with glow plugs, 15 sec. for DI models with glow plugs or air heater) and when it goes out you can turn the key switch to START.

Some electronically controlled engines have the optional capability of controlling the glow plug/air heater energization time via the key switch. For details, consult the operation manual for the driven machine.

### 2 HEAT indicator

Note that on this type of panel you must turn the key to the HEAT position **7** to activate the inlet air heater or glow plugs. The indicator will flash for several seconds (4 sec. for IDI models with glow plugs, 15 sec. for DI models with glow plugs or air heater) when you turn the key to HEAT and when it goes out, you can turn the key switch to START.

### 3 Battery charge

This indicator will come on if there is a problem in the charging system. This indicator does not indicate if the battery is discharged. See *Troubleshooting Chart on page 108*.

### 4 Engine oil pressure

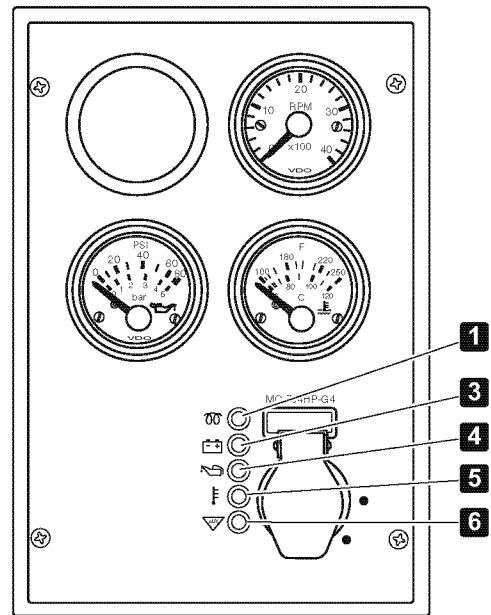
This indicator will come on if the engine oil pressure is below or exceeds normal limits. See *Troubleshooting Chart on page 108*.

### 5 Engine coolant temperature

This indicator will come on if the engine coolant temperature exceeds normal limits. See *Troubleshooting Chart on page 108*.

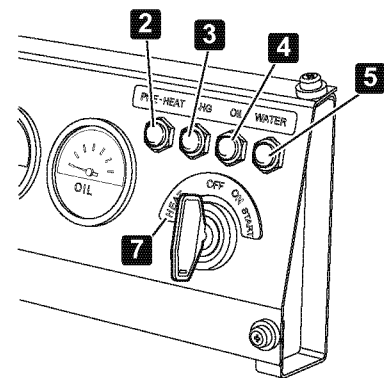
### 6 Auxiliary

Used for special applications.



K0000024B01

Figure 9



K0000025B01

Figure 10

## GAUGES AND INDICATORS OF ELECTRONIC CONTROL SYSTEM



4TNV84T-Z, 4TNV98-E, 4TNV98-Z,  
4TNV98T-Z

### Gauges

The following gauges are located on a typical operator's console of the electronically controlled engines. Some operator's consoles may not have the gauges described here or may have different gauges.

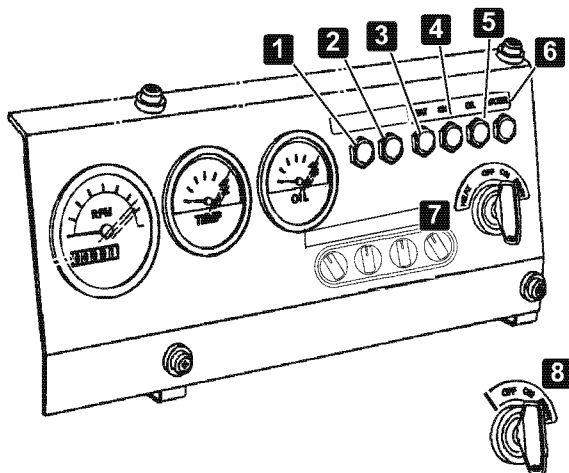
#### NOTICE

The illustrations and descriptions of optional equipment in this manual, such as the operator's console, are for a typical engine installation. Refer to the documentation supplied by the optional equipment manufacturer for specific operation and maintenance instructions.

### Indicators

The following indicators are located on a typical operator's console.

See the *Gauges and Indicators* section for description of indicators that are not described below.



Optional key switch: Turning it to ON energizes the glow plugs or air heater automatically.

Figure 11

Figure 11 Typical Operator's Console

#### 1 Fault (optional)

This indicator will flash if a fault occurs in the E-ECU or Eco-governor. The number of flashes and/or the flashing pattern vary depending on the type or source of the fault. See *Troubleshooting Chart* on page 108.

#### 2 Auxiliary

Reserved as an optional fault indicator.

#### 3 HEAT

This indicator will come on when the key switch is turned to the HEAT position **7** and stay on as long as the glow plugs (of model 3TN84T-Z only) or air heater are/is energized (15 sec. for models with glow plugs or air heater) during engine cold start. When the indicator goes out, you can turn the key switch to START.

Turning the optional key switch **8** to ON allows you to energize the glow plugs for up to 15 sec. or the air heater up to 23 sec. depending on the engine coolant temperature.

When an optional after heater is installed, it is energized for up to 80 sec. after the engine has started, during which, however, the indicator is not on.

#### Others (optional)

Other optional indicators including those for indicating the air cleaner is clogged or the water separator is filled with water can also be installed on the console. See the operation manual for the driven machine for details.

Machine events including alarms and faults are all stored in memory of the E-ECU and can be loaded into the service tool.

## CONTROLS

### Key Switch

The key switch for the operator's console illustrated in **Figure 12** has four positions - OFF, ON, START, and HEAT.

#### 1 OFF (key straight up and down)

When you turn the key to this position the engine shuts down. Electric current to the gauges and indicators is shut off. You can insert and remove the key in this position.

#### 2 ON

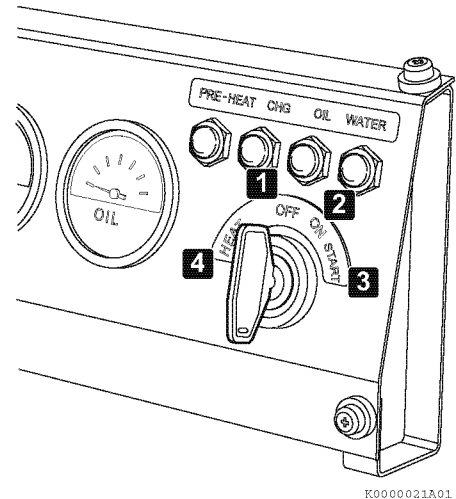
This is the position the key will be in when the engine is running. When the engine is not running, use this position to energize the gauges, indicators, electric fuel pump and auxiliary devices.

#### 3 START

Turn the key to this position to start the engine. As soon as the engine starts, release the key and it will automatically return to the ON position. Some key switches may be equipped with a feature that prevents you from turning the key to the START position while the engine is running. When operating a key switch with this feature, you cannot turn the key to the START position without first returning the key to the OFF position.

#### 4 HEAT

You must turn the key to the HEAT position to activate the inlet air heater. The indicator will flash for several seconds when you turn the key to HEAT. You can turn the key to START when the indicator goes out.



R0000021A01

Figure 12

### NOTICE

For maximum engine life, YANMAR recommends that when shutting the engine down, you allow the engine to idle, without load, for five minutes. This will allow the engine components that operate at high temperatures, such as the turbocharger (if equipped) and exhaust system, to cool slightly before the engine itself is shut down.

### NOTICE

Never hold the key in the START position for longer than 15 seconds or the starter motor will overheat.

## PRODUCT OVERVIEW

The key switch for the operator's console illustrated in **Figure 13** has three positions - OFF, ON and START.

### 1 OFF (key straight up and down)

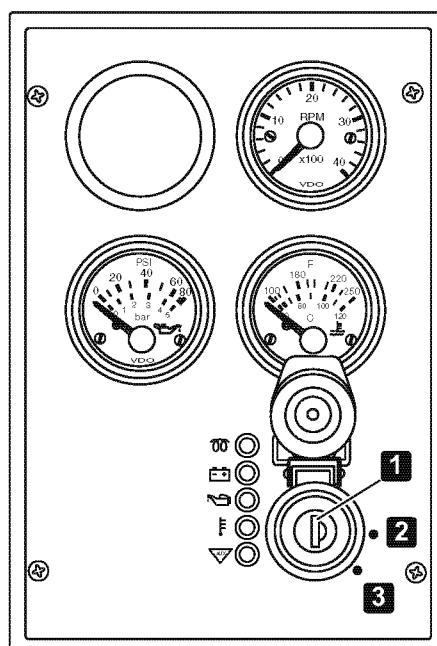
When you turn the key to this position the engine shuts down. Electric current to the gauges and indicators is shut off. You can insert and remove the key in this position.

### 2 ON

This is the position the key will be in when the engine is running. When the engine is not running, use this position to energize the gauges, indicators, electric fuel pump and auxiliary devices.

### 3 START

Turn the key to this position to start the engine. As soon as the engine starts, release the key and it will automatically return to the ON position. Some key switches may be equipped with a feature that prevents you from turning the key to the START position while the engine is running. When operating a key switch with this feature, you cannot turn the key to the START position without first returning the key to the OFF position.



**Figure 13**

## NOTICE

For maximum engine life, YANMAR recommends that when shutting the engine down, you allow the engine to idle, without load, for five minutes. This will allow the engine components that operate at high temperatures, such as the turbocharger (if equipped) and exhaust system, to cool slightly before the engine itself is shut down.

## NOTICE

Never hold the key in the START position for longer than 15 seconds or the starter motor will overheat.

## Glow Plugs



3TNV82A-B, 3TNV88-B, 3TNV88-Z,  
3TNV88-U, 4TNV88-Z, 4TNV88-B,  
4TNV88-U

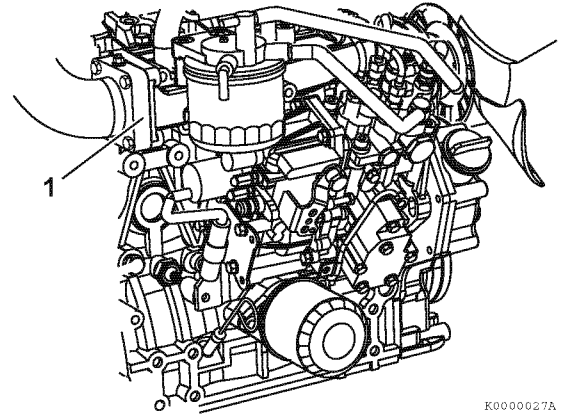
Glow plugs help make the engine easy to start at cold temperatures. During the engine starting sequence, the glow plugs are activated for approximately 4 seconds. After the pre-heat indicator goes out, the engine can be started.

These plugs are installed in the cylinder head swirl chambers for IDI engines or in the combustion chambers for DI engines.

## Inlet Air Heater



3TNV84T-Z, 3TNV84T-B, 4TNV84T-Z,  
4TNV84T-B, 4TNV98-Z, 4TNV98-E,  
4TNV98T-Z,  
3TNV82A, 3TNV84, 3TNV84T,  
3TNV88, 4TNV84, 4TNV84T, 4TNV88,  
4TNV94L, 4TNV98, 4TNV98T,  
4TNV106, 4TNV106T



K0000027A

**Figure 14**

The inlet air heater (1, **Figure 14**) is located on the intake manifold. Heated inlet air helps the engine to start easier in cold weather. During the engine starting sequence the inlet air heater is activated for approximately 15 seconds. After the pre-heat indicator goes out, the engine can be started.

## Governor Lever

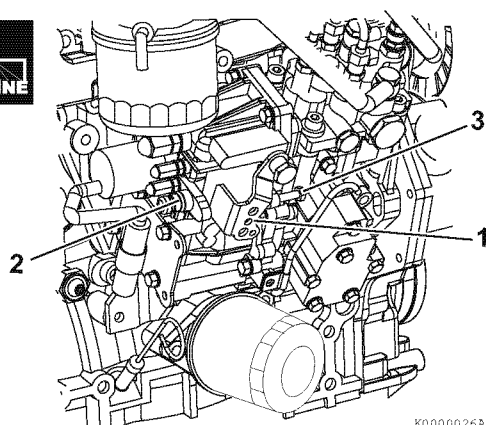
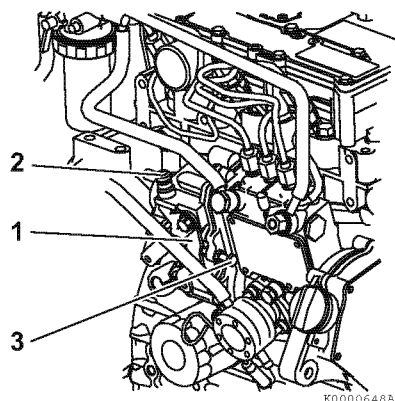


Figure 15

### NOTICE

Never attempt to adjust the low or high idle speed limit screw. This may impair the safety and performance of the machine and shorten its life. If adjustment is ever required, contact your authorized YANMAR industrial engine dealer or distributor.

The governor lever (1, **Figure 15**) controls the engine speed. The lever is linked to the engine speed control device in the driven machine.

The high idle speed limit screw (2, **Figure 15**) restricts the maximum engine speed when the engine is operated without a load.

The low idle speed limit screw (3, **Figure 15**) sets engine speed while it is idling.

## Speed Control of Electronically Controlled Engines

- 3TNV84T-Z, 4TNV84T-Z, 3TNV88-Z, 4TNV88-Z, 4TNV98-Z, 4TNV98-E, 4TNV98T-Z

The electronically controlled engines have no governor lever. For these engines, the position signal of the throttle lever or accelerator pedal of the driven machine is converted into an electric signal by the accelerator sensor **Figure 16**, which is then delivered to the rack actuator of the Eco-governor **Figure 18** through the E-ECU **Figure 17**, allowing the engine speed to be controlled.

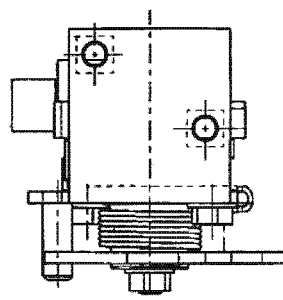


Figure 16

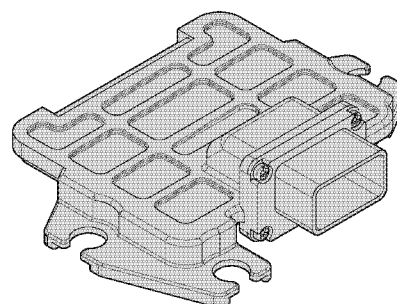


Figure 17

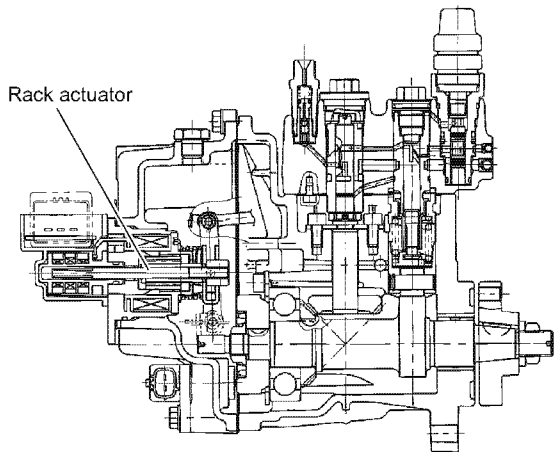


Figure 18

### Engine Stop Solenoid

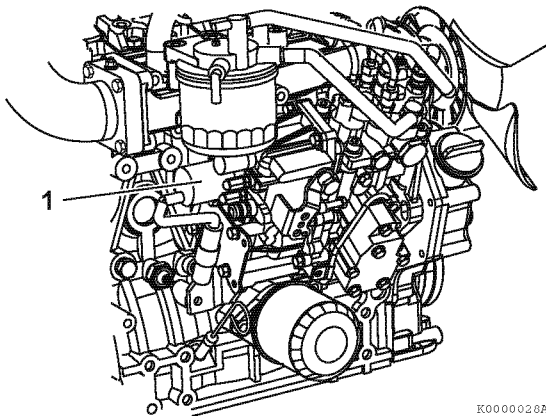


Figure 19

When the key is turned to the ON position, the engine stop solenoid (1, **Figure 19**) is energized and allows the fuel injection pump to deliver fuel to the engine, allowing the engine to be started. When the key is turned to the OFF position, the engine stop solenoid is de-energized and shuts off the fuel supply from the fuel injection pump to the engine, causing the engine to stop.

The electronically controlled engines have no engine stop solenoid. The E-ECU controls the engine start/stop sequence.

### Electronic Engine Speed Control



3TNV84T-Z, 4TNV84T-Z, 3TNV88-Z, 4TNV88-Z, 4TNV98-Z, 4TNV98-E, 4TNV98T-Z

#### ■ Engine speed curves

**Figure 20** shows typical engine speed curves that outline the relationship between engine speed and load.

#### *Droop control*

The VM series engines for general use are designed so that the engine speed is reduced by a certain percentage from 30 % load to full rated load. See curves (1) in **Figure 20** below. The same percentage droop is maintained at any no-load speed.

#### *Isochronous control*

The CL series consists of isochronous design engines, the speed of which is kept constant from no load to full rated load. See curves (2) in **Figure 20** below.

Some VM series engines for general use may be custom-engineered and have the isochronous capability. Consult the operation manual for the driven machine for application details of such engines.

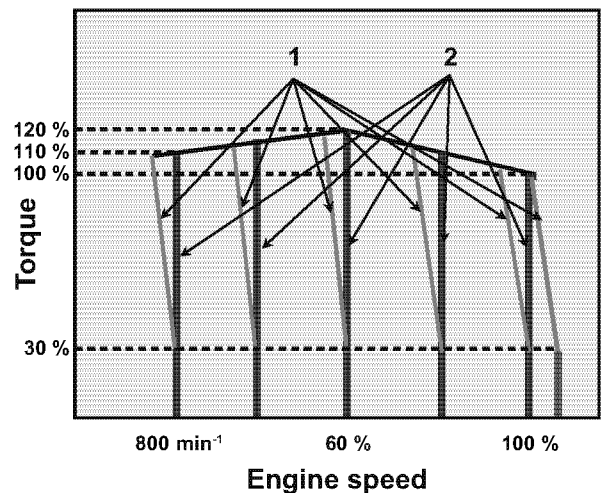
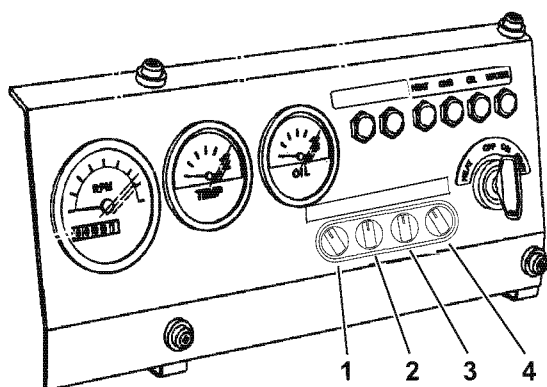


Figure 20



**Figure 21**

**Figure 21** Typical Operator's Console and Switch Arrangement

### **Low-idling speed up**

This feature increases the low-idling speed to some extent depending on the engine coolant temperature. When the coolant temperature reaches a predetermined value, this feature returns the engine speed to the normal low idle setting, thus reducing the warm-up time.

### **Auto deceleration (optional)**

This feature brings the running engine in low idle mode automatically when the accelerator pedal is not operated for a predetermined period of time. When the pedal is operated, i.e., the accelerator sensor is activated, the low idle mode is cancelled.

A certain ON/OFF combination of switches (1) - (4) on the operator's console **Figure 21** will implement this optional feature. For details, see the operation manual for the driven machine.

### **High-idling speed down (optional)**

This feature decreases the high-idling speed depending on the engine coolant temperature. When the coolant temperature falls to a predetermined value, this feature returns the engine speed to the normal high idle setting, thus minimizing the emission of white smoke at low temperatures.

A certain ON/OFF combination of switches (1) - (4) on the operator's console **Figure 21** will implement this optional feature. For details, see the operation manual for the driven machine.

### **Others**

Other optional features can be provided by selecting certain ON/OFF combinations of switches (1) - (4) on the operator's console **Figure 21** will implement this optional feature. For details, see the operation manual for the driven machine.

# BEFORE YOU OPERATE

---

This section of the *Operation Manual* describes the diesel fuel, engine oil, and engine coolant specifications and how to replenish them. It also describes the daily engine checkout.

## DIESEL FUEL

### Diesel Fuel Specifications

Diesel fuel should comply with the following specifications. The table lists several worldwide specifications for diesel fuels.

Diesel fuel specification	Location
ASTM D975 No. 1D S15 No. 2D S15	USA
EN590 (2009)	European Union
ISO 8217 DMX	International
BS 2869-A1 or A2	United Kingdom
JIS K2204 Grade No. 2	Japan
KSM-2610	Korea
GB19147-2016	China

#### ■ Additional technical fuel requirements

- When operating the engine in cold districts or high altitudes, the fuel cetane number should be equal to 45 or higher.
- **The sulfur content must not exceed 0.5 % by mass. Less than 0.05 % is preferred. For electronically controlled EGR engines, use fuel with sulfur content of less than 0.1 %. A higher sulfur content fuel may cause sulfuric acid corrosion in the cylinders of the engines. Especially in U.S.A. and Canada, Ultra Low Sulfur fuel must be used.**
- In EU, sulfur content shall not exceed 10 ppm (15 ppm at point of final distribution).
- Use the fuel that can be used where the temperature is 12 °C (53.6 °F) lower than the expected lowest temperature to prevent the fuel from freezing.
- Bio-diesel fuels. *See Biodiesel fuels on page 55.*
- Water and sediment in the fuel should not exceed 200 mg/kg.
- Ash content not exceed 0.01 % by mass.
- Carbon residue content not to exceed 0.35 % by mass. Less than 0.1 % is preferred.

- Total aromatics content should not exceed 35 % by volume. Less than 30 % is preferred.
- PAH (Polycyclic Aromatic Hydrocarbons) content should be below 10 % by volume.
- Metal content of Mg, Si, and Al should be equal to or lower than 1 mass ppm. (Test analysis method JPI-5S-44-95)
- The diesel fuel should be free from Zn and Na.
- Lubricity: Wear mark of WS1.4 should be Max. 0.018 in. (460 µm) at HFRR test.

#### ■ Precautions and concerns regarding the use of diesel fuel

- Never use kerosene.
- Never mix kerosene or used engine oil with the diesel fuel.
- Never use residual fuels that cause diesel fuel filter clogging and carbon deposits on the nozzles.
- Never use fuels stored for long time in a drum can or the like.
- Never keep fuel in containers with zinc plating on the inside.
- Never use fuels purchased from unauthorized dealer.
- Fuel additives are not recommended. Some fuel additives may cause poor engine performance. Fuel additives containing alcohol content, such as drainage agent etc. have adverse effects on the sealing section, and it will result in fuel leaks. Consult your YANMAR representative for more information.

**■ Biodiesel fuels**

**1. General Description of Biodiesel**

(a) Biodiesel is a renewable, oxygenated fuel made from agricultural and renewable resources such as soybeans or rapeseeds. Biodiesel is a fuel comprised of methyl or ethyl ester-based oxygenates of long chain fatty acids derived from the transesterification of vegetable oils, animal fats, and cooking oils. It contains no petroleum-based diesel fuel but can be blended at any level with petroleum-based diesel fuel. In case it is not blended with petroleum-based diesel fuel such biodiesel is referred to as “B100”, which means that it consists of 100 % (pure) biodiesel. However, most common biodiesel is blended with conventional (petroleum-based) diesel fuel. The percentage of the blend can be identified by its name. For example, B7 consisting of 7 % biodiesel and 93 % conventional petroleum-based diesel fuel and B20 consisting 20 % biodiesel and 80 % conventional diesel fuel. Raw pressed vegetable oils are not considered to be biodiesel.

(b) Advantages of Biodiesel:

- Biodiesel produces less visible smoke and a lower amount of particulate matter.
- Biodiesel is biodegradable and nontoxic.
- Biodiesel is safer than conventional diesel fuel because of its higher flash point.

Following the increased interest in the reduction of emissions and the reduction of the use of petroleum distillate based fuels; many governments and regulating bodies encourage the use of biodiesel.

(c) Disadvantages of Biodiesel:

Concentrations that are higher than 7 % of biodiesel (higher than B7) can have an adverse affect on the engine’s performance, its integrity and/or durability. The risk of problems occurring in the engine increases as the level of biodiesel blend increases. The following negative affects are exemplary and typical for the usage of high concentrated biodiesel blends:

- Biodiesel can accelerate the oxidation of Aluminum, Brass, Bronze, Copper and Zinc.
- Biodiesel damages, and finally seeps through certain seals, gaskets, hoses, glues and plastics.
- Certain natural rubbers, nitride and butyl rubbers will become harder and more brittle as degradation proceeds when used with biodiesel.
- The deteriorated biodiesel creates deposits in the engines.
- Due to its natural characteristic, biodiesel will decrease the engine output by approximately 2 percent (in case of B20) comparing to conventional (petroleum-based) diesel fuel.
- The fuel consumption ratio will increase by approximately 3 percent (in case of B 20) comparing to conventional diesel fuel.

**2. Approved Engines**

All of the following engine series of YANMAR can be operated with biodiesel with concentrations up to B20. In case of using biodiesel fuel up to B7 concentrations, no special preparations etc. have to be made and the original operating conditions and service intervals as stated in the operating manuals apply. In case of running below indicated engines with biodiesel concentrations above B7 up to B20, the required operating conditions (see below No. 4) have to be observed.

The following listed engines can be run with B20 biodiesel:

Group A	3TNM68, 3TNM72, 2TNV70, 3TNV70, 3TNV76
	3TNV82A, 3TNV84(T), 3TNV88, 4TNV84(T)
	4TNV88, 4TNV94L, 4TNV98(T), 4TNV106(T)
	4TNE92, 4TNE94L, 4TNE98 (For forklift)
Group B	3TNM74F, 3TNV74F, 3TNV80F(T), 3TNV88F
	3TNV88C, 4TNV88C, 4TNV98C(T)
	3TNV86C(H)T, 4TNV86C(H)T
	4TNV94HT, 4TNV94CHT, 4TNV94FHT

# BEFORE YOU OPERATE

## 3. Approved Fuel

In case of using biodiesel (only concentrations up to B20) such fuel should comply with the below recommended standards. However, raw pressed vegetable oils are not considered to be biodiesel and are not acceptable for use as fuel in any concentration in YANMAR engines.

(a) EN14214 (European standard) and/or ASTM D-6751 (American standard).  
In North America, biodiesel and biodiesel blends must be purchased from the BQ-9000 accredited producers and BQ-9000 certified distributors.

(b) All applicable engines can be operated with biodiesel fuels with concentration levels up to B20 (20 % bio-fuel blend). (However in Japan, the legally allowed maximum concentration for on-road applications is B5.)

If the concentration is B7 (7 %) or lower, the fuel can be used for all of the YANMAR's industrial engines, and does not require any special preparations or operating conditions. However, please strictly follow the standard operating conditions included in the manual.

## 4. Conditions for the Operation with Biodiesel (above B7 through B20)

When operating your applicable YANMAR engine (No. 2) with biodiesel blends concentrated above B7, we seriously recommend observing the following operation, service and maintenance conditions:

(a) The original service interval of the below stated services as indicated in the respective YANMAR engine standard operation manual and the service manual should be halved (please refer to your own manuals for the each service interval):

- Replacement interval of the fuel filter.
- Cleaning interval of the water separator.
- Draining interval of the fuel tank.

(b) Have the fuel injector inspected and cleaned every 1000 hours.

It is strongly recommended to replace the fuel hoses after 2000 operating hours or 2 years whichever comes first same as conventional diesel fuel used.

(c) Replacement of the following parts before using the recommended biodiesel:  
(only for the operation with biodiesel above B10 through B20)

- Group A
  - (1) Fuel hose (the recommended material of the hose is to fluoro rubber (FKM))
  - (2) Fuel feed pump (Diaphragm type)
  - (3) If not already installed, a water separator needs to be built in
  - (4) O-ring of fuel filter
  - (5) O-ring of water separator

- Group B
  - (1) O-ring of water separator

(d) Please use only biodiesel fuel that is appropriate to the intended operation environment of the engines. This especially applies if the operating ambient temperature falls below 0 degree centigrade.

(e) In particular, operation with biodiesel requires daily maintenance as follows:

1. Please daily check the engine oil level. If the oil level rises above the oil level of the previous day, the engine oil needs to be immediately replaced.
2. Please daily check the water level of the water separator. If the water level rises above the "max" indicator, an immediate drain of the water separator is required.

(f) Biodiesel blends up to B20 can only be used for a limited time of up to 3 months of the date of biodiesel manufacture. Therefore biodiesel needs to be used at latest within 2 months from the time of filling the tank or within 3 months from the time of production by the fuel supplier, whichever comes first.

(g) Before a long-term storage without operating the engine, the biodiesel needs to be drained out completely and the engine has to be run for 30 minutes with conventional diesel fuel as indicated in your operation manual.

The summary of difference for operation condition by blends and models which is mentioned above are as follows. For details, refer to (C) above.

Blends	Service interval	Parts exchange	Model
- B7	Same as standard	Not required	All YANMAR industrial models
B8 - B10	Half of standard	Not required	Group A and Group B
B11 - B20	Half of standard	Required (Refer (C) in detail)	Group A and Group B

Standard: Same as when using the diesel fuel

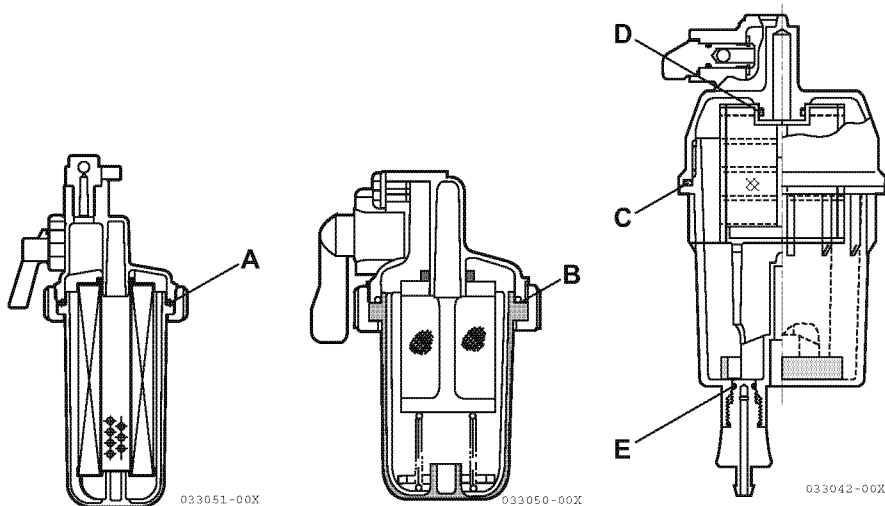
■ KIT parts list for B 20 (all TNV engines)

		KIT-V270BGS-BI	KIT-V370BGS-BI	KIT-V382BGS-BI	KIT-V384BGS-BI
		2TNV70	3TNV70, 76	3TNV82A	3TNV84(T), 88
		D19446-59250	D19746-59250	D29283-59250	D29283-59260
Fuel oil tank - / - Fuel oil tank	No.	(1)	(1)	(1)	(1)
	Length	2000	2000	2000	2000
	Part No.	129946-59050	129946-59050	129946-59050	129946-59050
	Part name	FO-T CMP	FO-T CMP	FO-T CMP	FO-T CMP
	Number	2	2	2	2
Fuel feed pump - Fuel oil filter	No.	(2)	(3)	(4)	(4)
	Length	380	450	1000	1000
	Part No.	119546-59030	119546-59020	129946-59040	129946-59040
	Part name	CW-T CMP	FO-T CMP	FO-T CMP	FO-T CMP
	Number	1	1	1	1
Fuel oil filter - Fuel injection pump	No.	(5)	(6)	(6)	(5)
	Length	220	270	270	220
	Part No.	129236-59000	119546-59200	119546-59200	129236-59000
	Part name	CW-T CMP	FO-T CMP	FO-T CMP	FO-T CMP
	Number	1	1	1	1
Fuel injection pump - Fuel oil filter	No.	(8)	(11)	(9)	(7)
	Length	320	450	350	300
	Part No.	119546-59210	119546-59220	119946-59200	129236-59010
	Part name	FO-T CMP	FO-T CMP	FO-T CMP	FO-T CMP
	Number	1	1	1	1
Cap, fuel injection nozzle	Part No.	No need	No need	119593-59581 124060-77680	119593-59581 124060-77680
	Part name			CAP CLIP	CAP CLIP
	Number			1 1	1 1
Fuel injection nozzle -Fuel injection nozzle	No.	No need	No need	(13)	(13)
	Length			115	115
	Part No.			129486-59581	129486-59581
	Part name			FO-T CMP	FO-T CMP
	Number			2	2
Fuel injection nozzle - Fuel injection pump	No.	(16)	(16)	(17)	(17)
	Length	150	150	Formed pipe	Formed pipe
	Part No.	119546-59300	119546-59300	129636-59561	129636-59561
	Part name	FO-T CMP	FO-T CMP	FO-T CMP	FO-T CMP
	Number	1	1	1	1
Fuel oil filter	Need to change only O-ring. P44: 24316-000440 --> A			No need (Because of cartridge type)	
Water separator	Need to change only O-ring. P44: 24316-000440 --> B			Need to change only O-ring. G75 : 24326-000750 --> C P16 : 24316-000160 --> D P7 : 24316-000070 --> E G65 : 24326-000650 --> C (Need only for TAIYO-GIKEN)	

# BEFORE YOU OPERATE

		KIT-V484BGS-BI	KIT-V484TBGS-BI	KIT-V494GS-BI	KIT-V498ZGS-BI	KIT-V4106BGS-BI
		4TNV84, 88	4TNV84T	4TNV94L, 98(T) Tier 2	4TNV98(T) Tier 3	4TNV106(T)
		D29683-59250	D29683-59260	D29946-59250	D29943-59250	D23946-59250
Fuel oil tank - / - Fuel oil tank	No.	(1)	(1)	(1)	(1)	(1)
	Length	2000	2000	2000	2000	2000
	Part No.	129946-59050	129946-59050	129946-59050	129946-59050	129946-59050
	Part name	FO-T CMP	FO-T CMP	FO-T CMP	FO-T CMP	FO-T CMP
	Number	2	2	2	2	2
Fuel feed pump - Fuel oil filter	No.	(4)	(4)	(4)	(4)	(4)
	Length	1000	1000	1000	1000	1000
	Part No.	129946-59040	129946-59040	129946-59040	129946-59040	129946-59040
	Part name	FO-T CMP	FO-T CMP	FO-T CMP	FO-T CMP	FO-T CMP
	Number	1	1	1	1	1
Fuel oil filter - Fuel injection pump	No.	(8)	(8)	(9)	(6)	(10)
	Length	320	320	350	270	400
	Part No.	119546-59210	119546-59210	119946-59200	119546-59200	129946-59220
	Part name	FO-T CMP	FO-T CMP	FO-T CMP	FO-T CMP	FO-T CMP
	Number	1	1	1	1	1
Fuel injection pump - Fuel oil filter	No.	(11)	(11)	(11)	(9)	(12)
	Length	450	450	450	350	500
	Part No.	119546-59220	119546-59220	119546-59220	119946-59200	129946-59230
	Part name	FO-T CMP	FO-T CMP	FO-T CMP	FO-T CMP	FO-T CMP
	Number	1	1	1	1	1
Cap, fuel injection nozzle	Part No.	119593-59581 124060-77680	No need	No need	No need	No need
	Part name	CAP CLIP				
	Number	1 1				
Fuel injection nozzle -Fuel injection nozzle	No.	(13)	No need	No need	No need	No need
	Length	115				
	Part No.	129486-59581				
	Part name	FO-T CMP				
	Number	3				
Fuel injection nozzle - Fuel injection pump	No.	(17)	(14)	(15)	(15)	(15)
	Length	Formed pipe	95	110	110	110
	Part No.	129636-59561	119946-59100	129946-59300	129946-59300	129946-59300
	Part name	FO-T CMP	FO-T CMP	FO-T CMP	FO-T CMP	FO-T CMP
	Number	1	1	1	1	1
Fuel oil filter	No need (Because of cartridge type)					
Water separator	Need to change only O-ring. G75 : 24326-000750 --> C P16 : 24316-000160 --> D P7 : 24316-000070 --> E G65 : 24326-000650 --> C (Need only for TAIYO-GIKEN)					

KIT-M368GS-FP	
D19125-93100	
Fuel feed pump	Electric feed pump: 119225-52102 Cover assy, feed pump: 129255-52000



	Current	Old (TAIYO-GIKEN)
A	24316-000440 (P44)	
B	24316-000440 (P44)	
C	24326-000750 (G75)	24326-000650 (G65)
D	24316-000160 (P16)	
E	24316-000070 (P7)	

# BEFORE YOU OPERATE

## Filling the Fuel Tank

### **⚠ DANGER**

#### **Fire and Explosion Hazard!**



- Diesel fuel is flammable and explosive under certain conditions.

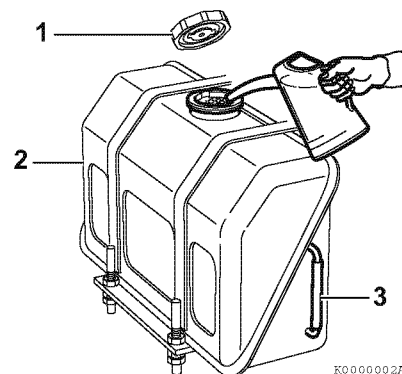
- Only fill the fuel tank with diesel fuel. Filling the fuel tank with gasoline may result in a fire and will damage the engine.
- Never refuel with the engine running.
- Wipe up all spills immediately.
- Keep sparks, open flames or any other form of ignition (match, cigarette, static electric source) well away when refueling.
- Never overfill the fuel tank.
- Fill the fuel tank. Store any containers containing fuel in a well-ventilated area, away from any combustibles or sources of ignition.
- Be sure to place the diesel fuel container on the ground when transferring the diesel fuel from the pump to the container. Hold the hose nozzle firmly against the side of the container while filling it. This prevents static electricity buildup which could cause sparks and ignite fuel vapors.
- Never place diesel fuel or other flammable material such as oil, hay or dried grass close to the engine during engine operation or shortly after shutdown.
- Before you operate the engine, check for fuel leaks. Replace rubberized fuel hoses every two years or every 2000 hours of engine operation, whichever comes first, even if the engine has been out of service. Rubberized fuel lines tend to dry out and become brittle after two years or 2000 hours of engine operation, whichever comes first.
- Failure to comply will result in death or serious injury.

### **NOTICE**

- Only use diesel fuels recommended by YANMAR for the best engine performance, to prevent engine damage and to comply with EPA/ARB warranty requirements.
- Only use clean diesel fuel.
- Never remove the primary strainer (if equipped) from the fuel tank filler port. If removed, dirt and debris could get into the fuel system causing it to clog.

Note that a typical fuel tank is shown. The fuel tank on your equipment may be different.

1. Clean the area around the fuel cap (1, **Figure 1**).
2. Remove the fuel cap from the fuel tank (2, **Figure 1**).
3. Observe the fuel level sight gauge (3, **Figure 1**) and stop filling when gauge shows fuel tank is full. Never overfill the fuel tank.
4. Replace the fuel cap (1, **Figure 1**), hand tighten. Over tightening the fuel cap will damage it.



**Figure 1**

## Priming the Fuel System

**⚠ DANGER**

### Fire and Explosion Hazard!

- Diesel fuel is flammable and explosive under certain conditions.



- If the unit has an electric fuel pump, when you prime the fuel system, turn the key switch to the ON position for 10 to 15 seconds to allow the electric fuel pump to prime the system.
- If the unit has a mechanical fuel pump, when you prime the fuel system, operate the fuel priming lever of the mechanical fuel pump several times until the fuel filter cup is filled with fuel.
- Failure to comply will result in death or serious injury.



The fuel system needs to be primed under certain conditions:

- Before starting the engine for the first time.
- After running out of fuel and fuel has been added to the fuel tank.
- After fuel system maintenance such as changing the fuel filter and draining the fuel filter/water separator, or replacing a fuel system component.

### To prime the fuel system if an electric fuel pump is installed:

1. Turn the key to the ON position for 10 to 15 seconds. This will allow the electric fuel pump to prime the fuel system.
2. Never use the starter motor to crank the engine in order to prime the fuel system. This may cause the starter motor to overheat and damage the coils, pinion and/or ring gear.

### To prime the fuel system if a mechanical fuel pump is installed:

1. Operate the fuel priming lever (1, Figure 2) several times until the fuel filter cup (2, Figure 2) is filled with fuel.
2. Never use the starter motor to crank the engine in order to prime the fuel system. This may cause the starter motor to overheat and damage the coils, pinion and/or ring gear.

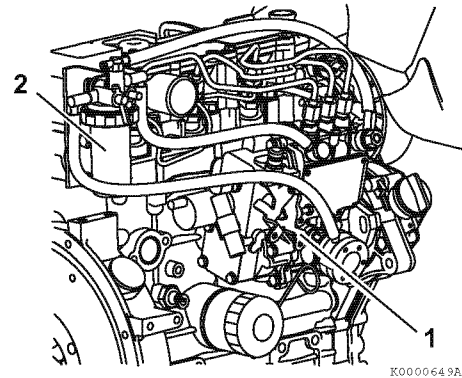


Figure 2



The fuel system needs to be primed under certain conditions:

- Before starting the engine for the first time.
- After running out of fuel and fuel has been added to the fuel tank.
- After fuel system maintenance such as changing the fuel filter and draining the fuel filter/water separator, or replacing a fuel system component.

### To prime the fuel system:

1. Turn the key to the ON position for 10 to 15 seconds. This will allow the electric fuel pump to prime the fuel system.
2. Never use the starter motor to crank the engine in order to prime the fuel system. This may cause the starter motor to overheat and damage the coils, pinion and/or ring gear.

## ENGINE OIL

### NOTICE

- Only use the engine oil specified. Other engine oils may affect warranty coverage, cause internal engine components to seize and/or shorten engine life.
- Prevent dirt and debris from contaminating the engine oil. Carefully clean the oil cap/dipstick and the surrounding area before you remove the cap.
- Never mix different types of engine oil. This may adversely affect the lubricating properties of the engine oil.
- Never overfill. Overfilling may result in white exhaust smoke, engine overspeed or internal damage.

### Engine Oil Specifications

Use an engine oil that meets or exceeds the following guidelines and classifications:

#### ■ Service categories

- API service categories CD, CF, CF-4, CI-4 (Use an API CF or higher quality oil for electronically controlled engines.)
- ACEA service categories E-3, E-4, and E-5
- JASO service category DH-1

#### ■ Definitions

- API classification (American Petroleum Institute)
- ACEA classification (Association des Constructeurs Européens d'Automobiles)
- JASO (Japanese Automobile Standards Organization)

### NOTICE

- Be sure the engine oil, engine oil storage containers, and engine oil filling equipment are free of sediments and water.
- Change the engine oil
  1. at every 250 hours (for IDI model)
  2. at every 500 hours or 1 year (for DI model)

Maintenance interval has different standard dependent on the application or engine oil capacity. Refer to the operation manual provided by the driven machine manufacturer for the actual engine oil change interval.
- Select the oil viscosity based on the ambient temperature where the engine is being operated. See the SAE service grade viscosity chart (Figure 3).
- YANMAR does not recommend the use of engine oil "additives".

#### ■ Additional technical engine oil requirements:

The engine oil must be changed when the Total Base Number (TBN) has been reduced to 1.0 mgKOH/g. TBN (mgKOH/g) test method; JIS K-201-5.2-2 (HCI), ASTM D4739 (HCI).

### Engine Oil Viscosity

Select the appropriate engine oil viscosity based on the ambient temperature and use the SAE service grade viscosity chart in Figure 3.

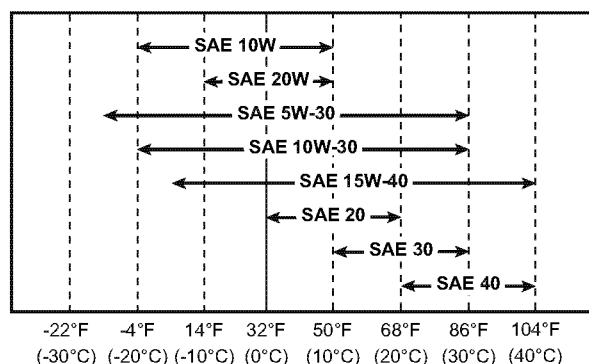


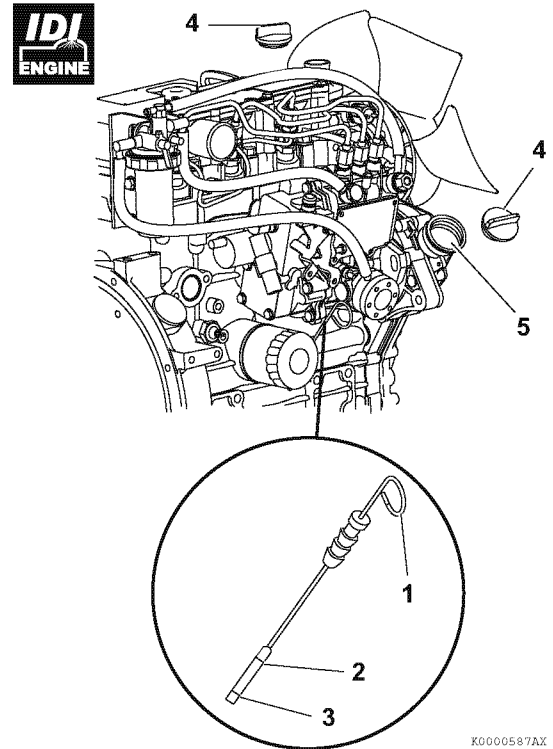
Figure 3

## Checking Engine Oil

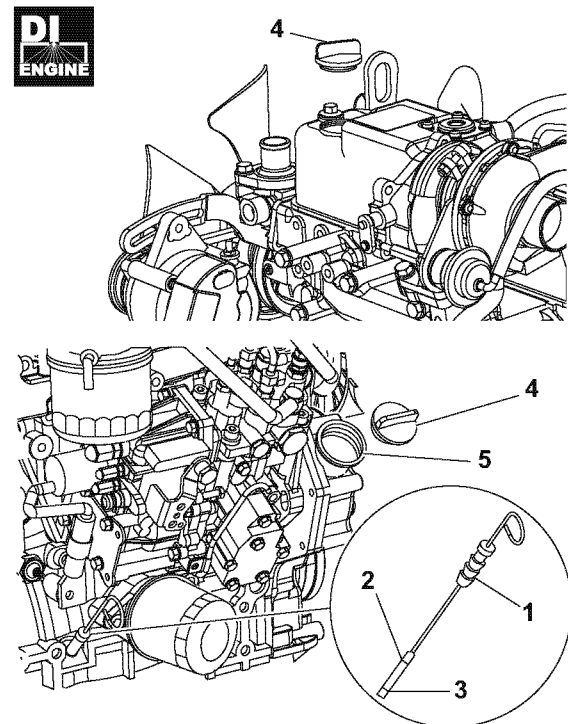
1. Make sure engine is level.
2. Remove dipstick (1, **Figure 4**) and wipe with clean cloth.
3. Fully reinsert dipstick.
4. Remove dipstick. The oil level should be between upper (2, **Figure 4**) and lower (3, **Figure 4**) lines on the dipstick.
5. Fully reinsert dipstick.

## Adding Engine Oil

1. Make sure engine is level.
2. Remove oil cap (4, **Figure 4**).
3. Add indicated amount of engine oil at the top or side engine oil filler port (5, **Figure 4**). Gradually fill with engine lubricating oil when filling from the filler port on the bonnet. Fill with 1.2 liters or less of engine lubricating oil in 30 seconds or more. Engine lubricating oil may enter the combustion chamber, causing oil hammer and resulting in engine damage.
4. Wait three minutes and check oil level.
5. Add more oil if necessary.
6. Reinstall oil cap (4, **Figure 4**) and hand-tighten. Over-tightening may damage the cap.



K0000587AX



K0000007BX

**Figure 4**

## Engine Oil Capacity (Typical)

These are the engine oil capacities associated with a "Deep Standard" oil pan. Oil capacity will vary dependent upon which optional oil pan is used. Refer to the operation manual provided by the driven machine manufacturer for the actual engine oil capacity of your machine.

The following are the engine oil capacities for various YANMAR TNV engines.



### Engine oil capacity (typical)

Engine model	Dipstick upper limit/lower limit
2TNV70 (VM), 2TNV70 (VH)	1,9/1,3 qt (1,8/1,2 L)
2TNV70 (CH)	2,3/1,3 qt (2,2/1,2 L)
3TNV70 (CL), 3TNV70 (VM), 3TNV70 (VH)	3,0/1,6 qt (2,8/1,5 L)
3TNV70 (CH)	4,0/2,2 qt (3,8/2,1 L)
3TNV76 (CL), 3TNV76 (VM), 3TNV76 (VH)	3,6/1,9 qt (3,4/1,8 L)
3TNV76 (CH)	4,7/2,4 qt (4,4/2,3 L)



### Engine oil capacity (typical)

Engine model	Dipstick upper limit/lower limit
3TNV82A	5,8/3,8 qt (5,5/3,6 L)
3TNV84, 3TNV84T	7,1/4,1 qt (6,7/3,9 L)
3TNV88	7,1/4,1 qt (6,7/3,9 L)
4TNV84, 4TNV84T	7,8/4,2 qt (7,4/4,0 L)
4TNV88	7,8/4,2 qt (7,4/4,0 L)
4TNV94L	11,1/6,3 qt (10,5/6,0 L)
4TNV98, 4TNV98T	11,1/6,3 qt (10,5/6,0 L)
4TNV106 (CL), 4TNV106T (CL)	14,8/5,3 qt (14,0/5,0 L)
4TNV106 (VM), 4TNV106T (VM)	14,8/6,9 qt (14,0/6,5 L)

## ENGINE COOLANT

**⚠ DANGER****Scald Hazard!**

- Never remove the radiator cap if the engine is hot. Steam and hot engine coolant will spurt out and seriously burn you. Allow the engine to cool down before you attempt to remove the radiator cap.
- Tighten the radiator cap securely after you check the radiator. Steam can spurt out during engine operation if the cap is loose.
- Always check the level of the engine coolant by observing the reserve tank.
- Failure to comply will result in death or serious injury.

**⚠ WARNING****Burn Hazard!**

- Wait until the engine cools before you drain the engine coolant. Hot engine coolant may splash and burn you.
- Failure to comply could result in death or serious injury.

**NOTICE**

- Only use the engine oil specified. Other engine oils may affect warranty coverage, cause internal engine components to seize and/or shorten engine life.
- Prevent dirt and debris from contaminating the engine oil. Carefully clean the oil cap/dipstick and the surrounding area before you remove the cap.
- Never mix different types of engine oil. This may adversely affect the lubricating properties of the engine oil.
- Never overfill. Overfilling may result in white exhaust smoke, engine overspeed or internal damage.

**NOTICE**

- Only use the engine coolant specified. Other engine coolants may affect warranty coverage, cause an internal buildup of rust and scale and/or shorten engine life.
- Prevent dirt and debris from contaminating the engine coolant. Carefully clean the radiator cap and the surrounding area before you remove the cap.
- Never mix different types of engine coolants. This may adversely affect the properties of the engine coolant.

# BEFORE YOU OPERATE

## Engine Coolant Specifications

Use a Long Life Coolant (LLC) or an Extended Life Coolant (ELC) that meets or exceeds the following guidelines and specifications.

### ■ Alternative engine coolant

If an Extended or Long Life Coolant is not available, alternatively, you may use an ethylene glycol or propylene glycol based conventional coolant (green).

### NOTICE

- Always use a mix of coolant and water. Never use water only.
- Mix coolant and water per the mixing instructions on the coolant container.
- Water quality is important to coolant performance. YANMAR recommends that soft, distilled or demineralized water be used to mix with coolants.
- Never mix extended or long life coolants and conventional (green) coolants.
- Never mix different types and/or colors of extended life coolants.
- Replace the coolant every 2000 engine hours or 2 years.

### ■ Additional technical coolant specifications:

- ASTM D6210, D4985 (US)
- JIS K-2234 (Japan)
- SAE J814C, J1941, J1034 or J2036 (International)

## Filling Radiator with Engine Coolant

Fill the radiator and reserve tank as follows. This procedure is for filling the radiator for the first time or refilling it after it is flushed. Note that a typical radiator is illustrated.

1. Check to be sure the radiator drain plug is installed and tightened or the drain cock (1, **Figure 5**) is closed. Also make sure the coolant drain plug (1, **Figure 6**) in the cylinder block is closed and the coolant hoses (1, **Figure 7**) are installed at the oil cooler.

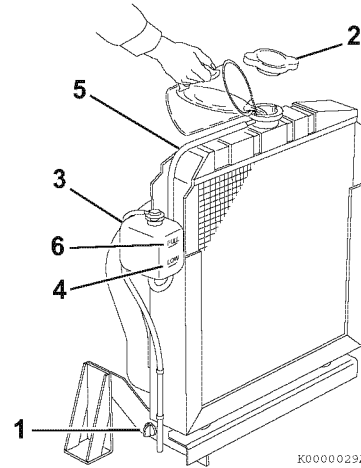


Figure 5

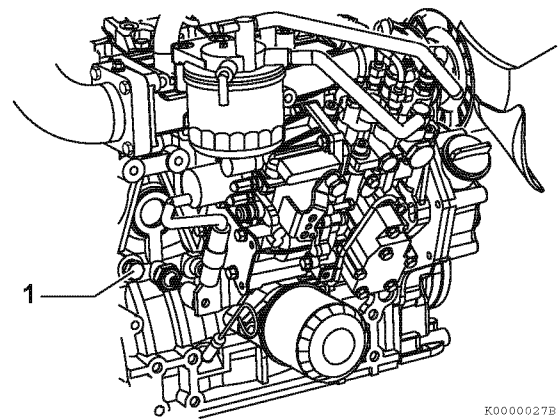


Figure 6

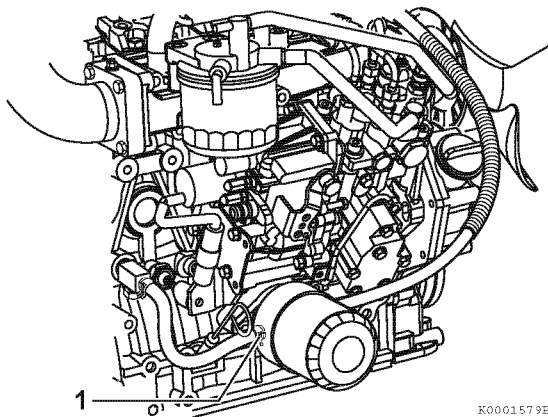


Figure 7

2. Remove the radiator cap (2, **Figure 5**) by turning it counterclockwise about 1/3 of a turn.
3. Pour the engine coolant *slowly* into the radiator until it is even with the lip of the engine coolant filler port. Make sure that air bubbles do not develop as you fill the radiator.
4. Reinstall the radiator cap (2, **Figure 5**). Align the tabs on the back side of the radiator cap with the notches on the engine coolant filler port. Press down and turn the cap clockwise about 1/3 of a turn.
5. Remove the cap of the reserve tank (3, **Figure 5**), and fill it to the LOW (COLD) mark (4, **Figure 5**) with engine coolant. Reinstall the cap.
6. Check the hose (5, **Figure 5**) that connects the reserve tank (3, **Figure 5**) to the radiator. Be sure it is securely connected and there are no cracks or damage. If the hose is damaged, engine coolant will leak out instead of going into the reserve tank.
7. Run the engine until it reaches operating temperature. Check the level of engine coolant in the reserve tank. When the engine is running and the engine coolant is at normal temperature, the coolant level in the reserve tank should be at or near the FULL (HOT) mark (6, **Figure 5**). If the coolant is not at the FULL (HOT) mark, add coolant to the reserve tank to bring the coolant level to the FULL (HOT) mark.

## Daily Check of the Cooling System

1. Check the level of engine coolant in the reserve tank. When the engine is cold, the coolant level in the tank should be at or slightly above the LOW (COLD) mark (4, **Figure 5**) on the coolant reserve tank.

If the coolant level is at the FULL (HOT) mark (6, **Figure 5**) when the engine is cold, the coolant will expand when it becomes hot and possibly spray out of the overflow hose.

2. Add additional engine coolant to the reserve tank if necessary.
3. Check the radiator hoses for cracks, abrasions, cuts or other damage. Replace as necessary.

## Engine Coolant Capacity (Typical)

Capacities listed are for the engine only without a radiator. Refer to the operation manual provided by the driven machine manufacturer for actual engine coolant capacity on your machine.

The following are the engine coolant capacities for various YANMAR TNV engines.



### Engine coolant capacity (typical)

Engine model	Engine coolant capacity
2TNV70	0.6 qt (0.6 L)
3TNV70	1.0 qt (0.9 L)
3TNV76	1.0 qt (0.9 L)



### Engine coolant capacity (typical)

Engine model	Engine coolant capacity
3TNV82A	1.9 qt (1.8 L)
3TNV84, 3TNV84T	2.1 qt (2.0 L)
3TNV88	2.1 qt (2.0 L)
4TNV84, 4TNV84T	2.9 qt (2.7 L)
4TNV88	2.9 qt (2.7 L)
4TNV94L	4.4 qt (4.2 L)
4TNV98, 4TNV98T	4.4 qt (4.2 L)
4TNV106, 4TNV106T	6.3 qt (6.0 L)

# BEFORE YOU OPERATE

## DAILY CHECKS

Before you begin any job, make sure the YANMAR TNV engine is in good operating condition. Make sure you check the following items before you start your shift and have any repairs completed before you start work.

### WARNING

#### High-Pressure Hazard!



- Avoid skin contact with the high-pressure diesel fuel spray caused by a fuel system leak such as a broken fuel injection line. High-pressure fuel can penetrate your skin and result in serious injury. If you are exposed to high-pressure fuel spray, obtain prompt medical treatment.
- Never check for a fuel leak with your hands. Always use a piece of wood or cardboard. Have your authorized YANMAR industrial engine dealer or distributor repair the damage.
- Failure to comply could result in death or serious injury.

### NOTICE

Make it a habit to perform daily checks. See *Daily Checks in the Before You Operate Section of this manual.*

Periodic maintenance prevents unexpected downtime, reduces the number of accidents due to poor machine performance and helps extend the life of the engine.

## Visual Checks

1. Check for engine oil leaks.
2. Check for fuel leaks.
3. Check for engine coolant leaks.
4. Check for damaged or missing parts.
5. Check for loose, missing or damaged fasteners.

6. Check the electrical harnesses for cracks, abrasions, and damaged or corroded connectors.
7. Check hoses for cracks, abrasions, and damaged, loose or corroded clamps.
8. Check and clean radiator fins as necessary. See *Check and clean radiator fins on page 92.*
9. Check the fuel filter/water separator for presence of water and contaminants. If you find any water or contaminants, drain the fuel filter/water separator. See *Drain fuel filter/separator on page 86.* If you have to drain the fuel filter/water separator frequently, drain the fuel tank and check for the presence of water in your fuel supply. See *Drain fuel tank on page 89.*

### NOTICE

If any problem is noted during the visual check, the necessary corrective action should be taken before you operate the engine.

## Check Diesel Fuel, Engine Oil and Engine Coolant Levels

Follow the procedures in *Diesel Fuel on page 54*, *Engine Oil on page 62* and *Engine Coolant on page 65* to check these levels.

## Check Engine Speed Control

Check the engine speed control for smooth operation, adjust and lubricate or clean as necessary. See *Check and adjust the governor lever and engine speed control (except electronically controlled engines) on page 93.*

## Check Operator's Console

Before you operate the engine you should make sure that all of the indicators are functioning properly.

## Check Indicators

YANMAR TNV engines are available with various operator's consoles. Two typical operator's consoles are shown (Figure 8) or (Figure 9).

### 1 HEAT

Figure 9 shows a typical indicator arrangement on the operator's console. When the key switch is turned to the HEAT position, the HEAT indicator comes on indicating the glow plugs or air heater are/is energized, and stays on for 4 sec. for IDI models with glow plugs or 15 sec. for DI models with glow plugs or air heater. When it goes out, turn the key switch to the START position to start the engine.

Figure 8 shows a typical operator's console having the optional key switch. When the optional key switch is turned to the ON position, the indicator comes on indicating the glow plugs or air heater are/is energized, and stays on for 4 sec. for IDI models with glow plugs or 15 sec. for DI models with glow plugs or air heater. When it goes out, turn the key switch to the START position to start the engine.

Figure 10 shows a typical indicator arrangement on the operator's console of electronically controlled engines. The key switch on the console is available in two types: standard and optional. While the standard type has the HEAT position, the optional type omits the HEAT position and has the ON-glow/ON-air heat capability. Consult the operation manual for the driven machine for the applicability of the key switch types.

The following lists the engine models with glow plugs and those with air heater for your reference.

#### Models with glow plugs:

2TNV70, 3TNV70, 3TNV76, 3TNV82A-B,  
3TNV88-B, 3TNV88-E, 3TNV88-U, 3TNV88-Z,  
4TNV88-B, 4TNV88-U, 4TNV88-Z

#### Models with air heater:

3TNV84T-Z, 3TNV84T-B, 4TNV84T-Z,  
4TNV84T-B, 4TNV98-Z, 4TNV98-E,  
4TNV98T-Z,  
3TNV82A, 3TNV84, 3TNV84T, 3TNV88,  
4TNV84, 4TNV84T, 4TNV88, 4TNV94L,  
4TNV98, 4TNV98T, 4TNV106, 4TNV106T

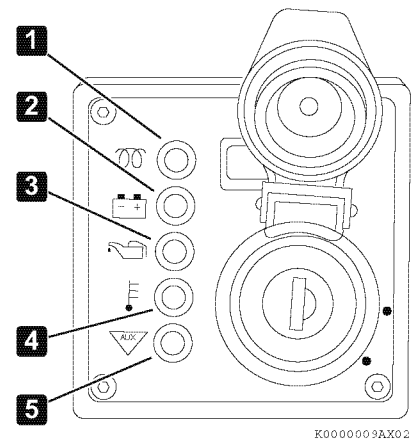


Figure 8

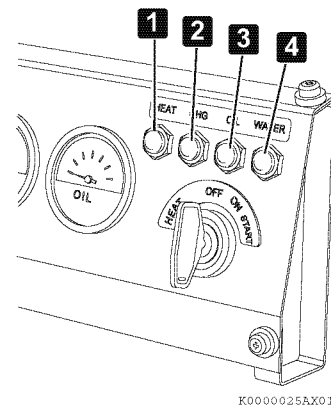
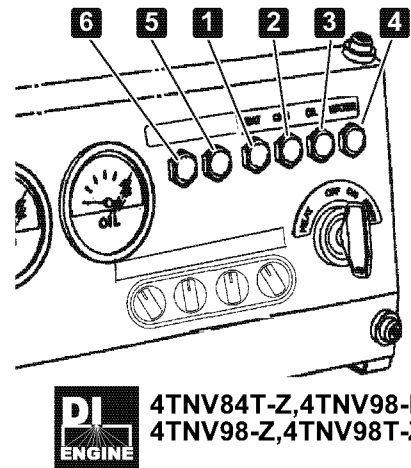


Figure 9



4TNV84T-Z, 4TNV98-E,  
4TNV98-Z, 4TNV98T-Z

Figure 10

## BEFORE YOU OPERATE

---

### **2 Battery charge**

Stays on until the engine is running and the alternator is supplying charging current. This indicator does not indicate whether the battery is discharged.

### **3 Engine oil pressure**

Stays on until the engine is running and the oil pressure is within normal limits.

### **4 Engine coolant temperature**

Stays on momentarily. Comes back on if engine overheats.

### **5 Auxiliary**

Stays on momentarily. Used for special applications.

Here is a summary of how these indicators function. The table shows what happens when you turn the key in a certain direction (e.g., OFF to ON).

### **6 Fault indicator (optional)**

Illuminates for approx. 2 sec. when the key switch is turned to ON, and stays off while the engine is running. If a fault occurs in the Eco-governor system or during energization of the E-ECU, this indicator will flash in a certain pattern to indicate what fault has occurred. See the troubleshooting section for details.

Indicator			OFF to HEAT	OFF to ON	ON to OFF
HEAT (1, <b>Figure 8</b> ) (1, <b>Figure 9</b> ) (1, <b>Figure 10</b> )	ON-glow ON-air heat Type	Glow	NA	Lights for several seconds (IDI = 4 sec., DI = 15 sec.) then goes out. Lights for 1 - 15 sec. for electronically controlled engines depending on the coolant temperature.	OFF
		Air heat		Lights for several 15 seconds then goes out. Lights for 1 - 23 sec. for electronically controlled engines depending on the coolant temperature.	OFF
	HEAT position available on key switch	Glow	Lights for several seconds (IDI = 4 sec., DI = 15 sec.) then goes out.	OFF	OFF
		Air heat	Lights for several 15 seconds then goes out.	OFF	OFF
Battery charge (2, <b>Figure 8</b> ) (2, <b>Figure 9</b> ) (2, <b>Figure 10</b> )			NA	ON	OFF (Stays on until alternator is supplying charging current. Remains on if there is a problem in the charging system. This indicator does not indicate whether the battery is discharged.)
Engine oil pressure (3, <b>Figure 8</b> ) (3, <b>Figure 9</b> ) (3, <b>Figure 10</b> )			NA	ON	OFF (Stays on until oil pressure reaches normal operating pressure. Remains on, or comes back on, if there is a problem in the lubrication system.)
Engine coolant temperature (4, <b>Figure 8</b> ) (4, <b>Figure 9</b> ) (4, <b>Figure 10</b> )			NA	ON	OFF (Stays on momentarily. Comes back on if there is a problem in the cooling system.)
Auxiliary (5, <b>Figure 8</b> ) (5, <b>Figure 10</b> )			NA	ON	OFF
Fault (optional) (6, <b>Figure 10</b> ) 3TNV84T-Z, 4TNV84T-Z, 3TNV88-Z, 4TNV88-Z, 4TNV98-E, 4TNV98-Z, 4TNV98T-Z			NA	Lights for 2 sec. only.	OFF (Flashes or intermittently lights if a fault occurs in the E-ECU or Eco-governor.)

**This Page Intentionally Left Blank**

# **ENGINE OPERATION**

---

This section of the *Operation Manual* describes the procedures for starting the engine, checking engine performance during operation, and shutting the engine down.

# ENGINE OPERATION

## STARTING ENGINE

Use the following procedure to start the engine. Note that two typical operator's consoles are shown for illustrative purposes only.

1. Make sure you follow the procedures stated in the *Daily Checks* on page 68.
2. Before first starting electronically controlled engines 3TNV84T-Z, 4TNV84T-Z, 3TNV88-Z, 4TNV88-Z, 4TNV98-E, 4TNV98-Z, 4TNV98T-Z: The E-ECU of the electronically controlled engines shown above needs to be initialized at initial power up. When the fault indicator comes on at initial power up, the E-ECU has finished initialization. Then always turn the key switch to the OFF position once before starting the engine. (The E-ECU has usually been initialized before the driven machine is delivered). From the second power up, make sure the fault indicator is on for 2 sec. when turning the key switch to the ON position.
3. Make sure the fuel filter/water separator fuel cock (1, **Figure 1**) is in the ON position (2, **Figure 1**).

4. Set the transmission (if equipped) in the NEUTRAL position.
5. Disengage the PTO (if equipped).
6. Set the engine speed control to the mid-position.

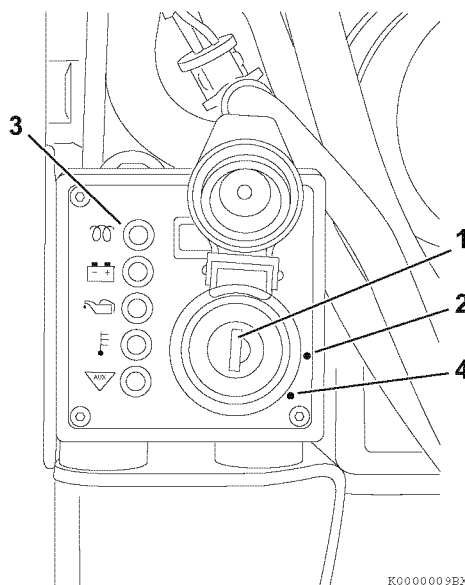
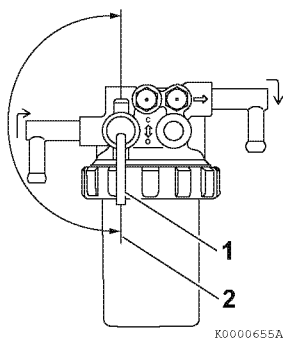
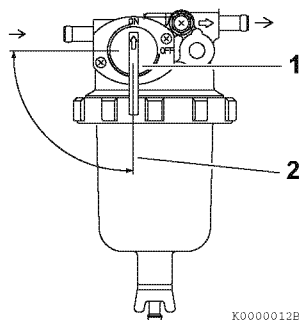


Figure 2



K0000655A



K0000012B

Figure 1

### NOTICE

Never use an engine starting aid such as ether. Engine damage will result.

7. Insert the key into the key switch (1, **Figure 2**) or (1, **Figure 3**).

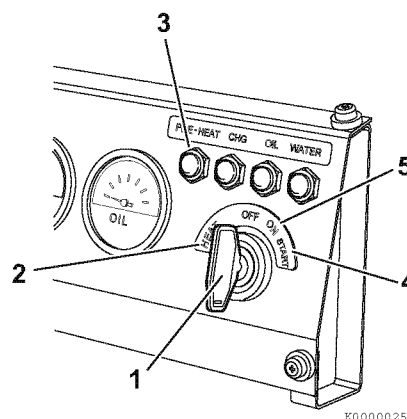


Figure 3

8. Turn the key to the ON position (2, **Figure 2**) or the HEAT position (2, **Figure 3**). The pre-heat indicator (3, **Figure 2**) flashes for several seconds and then goes out. After the pre-heat indicator goes out you can start the engine.

*Note: The glow plugs, and the air heater, are used to assist starting in cold weather conditions. If you are operating your engine in normal or warm weather conditions, you may bypass the Pre-Heat/Heat functions and go directly to Start.*

### NOTICE

Never hold the key in the START position for longer than 15 seconds or the starter motor will overheat.

9. Turn the key clockwise to the START position (4, **Figure 2**) or (4, **Figure 3**). Release the key as soon as the engine starts. It will return to the ON position (2, **Figure 2**) or (5, **Figure 3**).

*Note: The starter of electronically controlled engines 3TNV84T-Z, 4TNV84T-Z, 3TNV88-Z, 4TNV88-Z, 4TNV98-E, 4TNV98-Z, 4TNV98T-Z will start with a delay of approx. 0.5 sec. after the key switch has been turned to the ON position. This is because the E-ECU self-diagnostics has run and is not a failure.*

10. If the engine fails to start:

- 1- Wait until the engine comes to a complete stop before you attempt to start it again. Engaging the starter while the engine is still rotating will result in damage to the starter and flywheel.

*Note: Some key switches are equipped with an interlock that will not allow you to re-engage the starter without first turning the key to the OFF position.*

- 2- Wait at least 30 seconds before you attempt to start the engine again. This procedure will allow the battery voltage to recover and prevent damage to the starter motor due to the low battery voltage.



## COLD START DEVICE

### WARNING

#### Sudden Movement Hazard!

- Engaging the transmission or PTO at an elevated engine speed could result in unexpected movement of the equipment.
- Failure to comply could result in death or serious injury.

The cold start device on direct injection models improves engine starting at lower temperatures.

- If the engine cooling system temperature is below 5 °C (41 °F), the cold start device automatically advances the fuel injection timing and slightly increases the fuel injection volume.
- The engine idle speed will be slightly elevated for approximately the first 5 minutes of operation.
- When the cold start device is activated, you may notice a slight increase in the amount of exhaust smoke. This is normal.
- Never engage the transmission or PTO while the cold start device is activated or unexpected movement of the machine may result.

## CHECKING THE ENGINE DURING OPERATION

### WARNING

#### High-Pressure Hazard!



- Avoid skin contact with the high-pressure diesel fuel spray caused by a fuel system leak such as a broken fuel injection line. High-pressure fuel can penetrate your skin and result in serious injury. If you are exposed to high-pressure fuel spray, obtain prompt medical treatment.

- Never check for a fuel leak with your hands. Always use a piece of wood or cardboard. Have your authorized YANMAR industrial engine dealer or distributor repair the damage.
- Failure to comply could result in death or serious injury.

### NOTICE

Make sure the engine is installed on a level surface. If a continuously running engine is installed at an angle greater than (IDI = 25°, DI = 30°) in any direction or if an engine runs for short periods of time (less than three minutes) at an angle greater than (IDI = 30°, DI = 35°) in any direction, engine oil may enter the combustion chamber causing excessive engine speed and white exhaust smoke. This may cause serious engine damage.

### NOTICE

New engine break-in:

- On the initial engine start-up, allow the engine to idle for approximately 15 minutes while you check for proper engine oil pressure, diesel fuel leaks, engine oil leaks, coolant leaks, and for proper operation of the indicators and/or gauges.
- During the first hour of operation, vary the engine speed and the load on the engine. Short periods of maximum engine speed and load are desirable. Avoid prolonged operation at minimum or maximum engine speeds and loads for the next four to five hours.
- During the break-in period, carefully observe the engine oil pressure and engine temperature.
- During the break-in period, check the engine oil and coolant levels frequently.

### NOTICE

Never engage the starter motor while the engine is running. This may damage the starter motor pinion and/or ring gear.

1. While the engine is running, check the gauges for normal indications. The gauges shown in **Figure 5** and **Figure 4** are provided for illustrative purposes only.

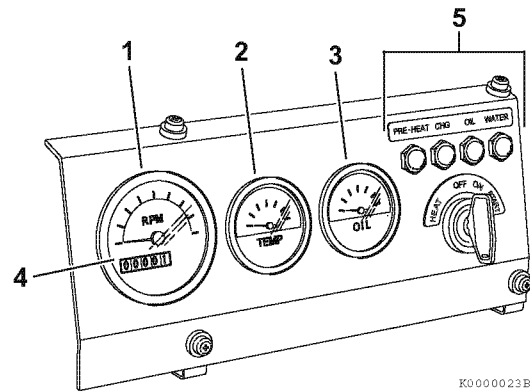


Figure 4

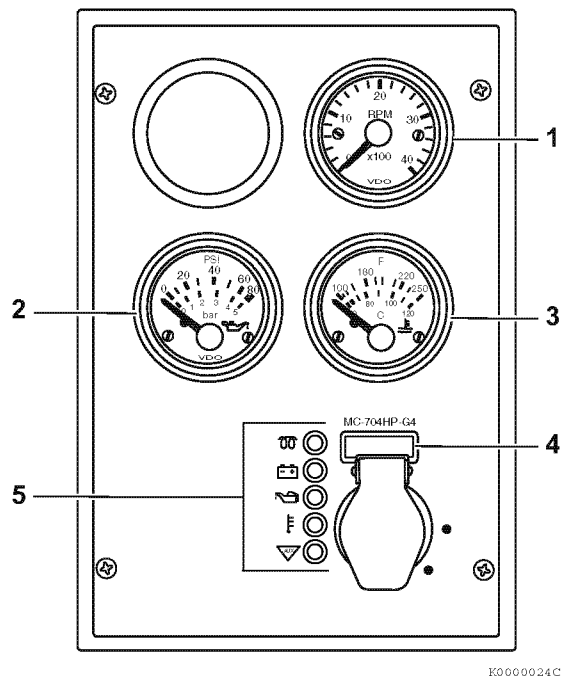


Figure 5

- **Tachometer** (1, **Figure 5**) or (1, **Figure 4**) - Make sure the engine speed is within normal limits. See *Engine Speed Specifications on page 122*.
  - **Engine Oil Pressure** (2, **Figure 5**) or (3, **Figure 4**) - Make sure the engine oil pressure is within normal limits. See *Principal Engine Specifications on page 123*.
  - **Engine Coolant Temperature** (3, **Figure 5**) or (2, **Figure 4**) - Make sure the engine coolant temperature is within normal limits.
  - **Hour Meter** - The hour meter display (4, **Figure 5**) or (4, **Figure 4**) shows the total number of hours the engine has run. This is useful for planning periodic maintenance operations. See *Periodic Maintenance Schedule on page 82*.
  - If any of the gauges shows an out of normal limits condition, shut down the engine and have the necessary repairs performed.
2. After the engine has reached operating temperature, all of the indicators (5, **Figure 5**) or (4, **Figure 4**) should be off. If any of the indicators are on, shut down the engine and have the necessary repairs performed.
  3. Check for white or black smoke from the exhaust system. A small amount of white exhaust smoke is normal on start-up of a cold engine. Black exhaust smoke could mean the engine is overloaded or is being over-fueled. If either of these conditions persists, contact your authorized YANMAR industrial engine dealer or distributor.
  4. Check for abnormal sounds or vibration. In some applications the engine and its mounting may start to resonate and cause unusual vibrations at certain engine speeds. Avoid running the engine at these speeds. If the abnormal sounds or vibration cannot be resolved, shut down the engine and have the necessary repairs performed. Contact your authorized YANMAR industrial engine dealer or distributor.
  5. Check for any fuel, engine coolant or engine oil leaks. If any leaks are found shut down the engine and have the necessary repairs performed.
  6. Check the fuel level during operation. If the fuel level runs low, stop the engine and refuel.

## ADJUST ENGINE SPEED

### NOTICE

New engine break-in:

- On the initial engine start-up, allow the engine to idle for approximately 15 minutes while you check for proper engine oil pressure, diesel fuel leaks, engine oil leaks, coolant leaks, and for proper operation of the indicators and/or gauges.
- During the first hour of operation, vary the engine speed and the load on the engine. Short periods of maximum engine speed and load are desirable. Avoid prolonged operation at minimum or maximum engine speeds and loads for the next four to five hours.
- During the break-in period, carefully observe the engine oil pressure and engine temperature.
- During the break-in period, check the engine oil and coolant levels frequently.

Use the engine speed control to adjust the engine speed for the task that will be performed.

## SHUTTING DOWN THE ENGINE

### NOTICE

For maximum engine life, YANMAR recommends that when shutting the engine down, you allow the engine to idle, without load, for five minutes. This will allow the engine components that operate at high temperatures, such as the turbocharger (if equipped) and exhaust system, to cool slightly before the engine itself is shut down.

Follow these steps to shut down the engine:

1. Disengage the PTO and/or set the transmission to NEUTRAL (if equipped).
2. Set the engine speed control to its lowest setting.
3. Run the engine at low idle speed for at least five minutes before you shut it down.

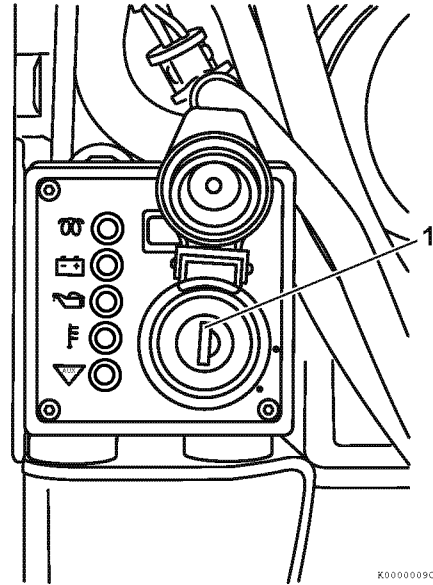


Figure 6

4. Turn the key to the OFF position (1, Figure 6) or (1, Figure 7) and remove it from the key switch.

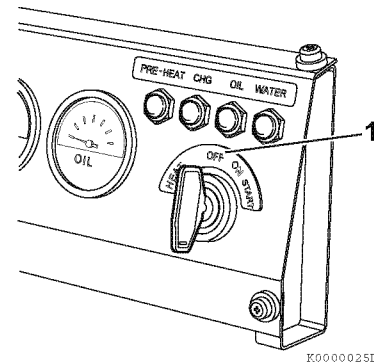


Figure 7

5. If the engine will not be used for six months or longer, follow the additional instructions in *Long-Term Storage* on page 117.

# PERIODIC MAINTENANCE

---

This section of the *Operation Manual* describes the procedures for proper care and maintenance of the engine.

### PRECAUTIONS

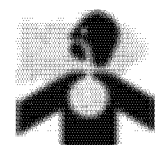
#### The Importance of Periodic Maintenance

Engine deterioration and wear occurs in proportion to length of time the engine has been in service and the conditions the engine is subject to during operation. Periodic maintenance prevents unexpected downtime, reduces the number of accidents due to poor machine performance and helps extend the life of the engine.

#### Performing Periodic Maintenance

##### WARNING

##### **Exhaust Hazard!**



- Never operate the engine in an enclosed area such as a garage, tunnel, underground room, manhole or ship's hold without proper ventilation.
- Never block windows, vents, or other means of ventilation if the engine is operating in an enclosed area. All internal combustion engines create carbon monoxide gas during operation. Accumulation of this gas within an enclosure could cause illness or even death.
- Make sure that all connections are tightened to specifications after repair is made to the exhaust system.
- Failure to comply could result in death or serious injury.

---

Perform periodic maintenance procedures in an open, level area free from traffic. If possible, perform the procedures indoors to prevent environmental conditions, such as rain, wind, or snow, from damaging the machine.

#### The Importance of Daily Checks

Periodic Maintenance Schedules assume that the daily checks are performed on a regular basis. Make it a habit of performing daily checks before the start of each shift. See *Daily Checks* on page 68.

#### Keep a Log of Engine Hours and Daily Checks

Keep a log of the number of hours the engine is run each day and a log of the daily checks performed. Also note the date, type of repair (e.g., replaced alternator), and parts needed for any service needed between the periodic maintenance intervals. Periodic maintenance intervals are every 50, 250, 500, 1000, 1500 and 2000 engine hours. Failure to perform periodic maintenance will shorten the life of the engine.

#### YANMAR Replacement Parts

YANMAR recommends that you use genuine YANMAR parts when replacement parts are needed. Genuine replacement parts help ensure long engine life.

#### Tools Required

Before you start any periodic maintenance procedure make sure you have the tools you need to perform all of the required tasks.

#### Ask Your Authorized YANMAR Industrial Engine Dealer or Distributor for Help

Our professional service technicians have the expertise and skills to help you with any maintenance or service related procedures you need help with.

#### Required EPA/ARB Maintenance USA Only

To maintain optimum engine performance and compliance with the Environmental Protection Agency (EPA) Regulations Non-Road Engines and the California Air Resources Board (ARB, California), it is essential that you follow the *Periodic Maintenance Schedule* on page 82 and *Periodic Maintenance Procedures* on page 84.

## EPA/ARB Installation Requirements USA Only

The following are the installation requirements for the EPA/ARB. Unless these requirements are met, the exhaust gas emissions will not be within the limits specified by the EPA and ARB.

Therefore, periodically perform the maintenance and cleaning of air cleaner and muffler.

Maximum Exhaust Gas Restriction shall be:



- 2TNV70: 0.86 psi (5.9 kPa; 600 mmAq) or less
- 3TNV70 and 3TNV76: 1.71 psi (11.8 kPa; 1200 mmAq) or less



- 3TNV84T, 3TNV84T-Z: 1.43 psi (9.83 kPa, 1000 mmAq) or less
- 4TNV84T, 4TNV98T, 4TNV106T: 1.71 psi (11.8 kPa, 1200 mmAq) or less
- 3TNV82A, 3TNV84, 3TNV88, 3TNV88-B, 3TNV88-E, 3TNV88-U, 3TNV88-Z, 4TNV84, 4TNV88, 4TNV88-Z, 4TNV94L, 4TNV98, 4TNV106: 2.22 psi (15.3 kPa, 1560 mmAq) or less
- 4TNV84T-ZVM, 4TNV98T-ZVM and 4TNV98T-ZCL (With Electronic Control System EGR): 1.49psi (10.3 kPa, 1050 mmAq) or less
- 4TNV98-Z(E)VM (With Electronic Control System EGR): 1.94 psi (13.4 kPa, 1360 mmAq) or less
- 4TNV98-ZCL (With Electronic Control System EGR): 1.75 psi (12.1 kPa, 1230 mmAq) or less

Maximum air intake restriction shall be 0.90 psi (6.23 kPa; 635 mm Aq) or less. Clean or replace the air cleaner element if the air intake restriction exceeds the above mentioned value.

*Note: EGR-equipped engines have a range of allowable intake and exhaust restrictions; a minimum and a maximum value.*

*The figures are available in the TNV series Application Manual.*

## Tightening Fasteners

Use the correct amount of torque when you tighten fasteners on the machine. Applying excessive torque may damage the fastener or component and not enough torque may cause a leak or component failure.

### NOTICE

The tightening torque in the Standard Torque Chart in the *Periodic Maintenance Section* of this manual should be applied only to the bolts with a “7” head. (JIS strength classification: 7T)

- Apply 60 % torque to bolts that are not listed.
- Apply 80 % torque when tightened to aluminum alloy.



## STANDARD TORQUE CHART

Thread size × pitch	mm	M6 × 1.0	M8 × 1.25	M10 × 1.5	M12 × 1.75	M14 × 1.5	M16 × 1.5
Tightening torque	in.-lb	96.0 ± 9.0	–	–	–	–	–
	ft-lb	–	19.0 ± 2.0	36.0 ± 4.0	65.0 ± 7.0	101.0 ± 7.0	167.0 ± 7.0
	N·m	10.8 ± 1.0	25.5 ± 2.9	49.0 ± 4.9	88.3 ± 9.8	137.0 ± 9.8	226.0 ± 9.8
	kgf·m	1.1 ± 0.1	2.6 ± 0.3	5.0 ± 0.5	9.0 ± 1.0	14.0 ± 1.5	23.0 ± 2.0

*Note: Torque values shown in this manual are for clean, non-lubricated fasteners unless otherwise specified.*

## PERIODIC MAINTENANCE

### PERIODIC MAINTENANCE SCHEDULE

Daily and periodic maintenance is important to keep the engine in good operating condition. The following is a summary of maintenance items by periodic maintenance intervals. Periodic maintenance intervals vary depending on engine application, loads, diesel fuel and engine oil used and are hard to establish definitively. The following should be treated only as a general guideline.

#### NOTICE

Establish a periodic maintenance plan according to the engine application and make sure you perform the required periodic maintenance at intervals indicated. Failure to follow these guidelines will impair the engine's safety and performance characteristics, shorten the engine's life and may affect the warranty coverage on your engine. See *YANMAR Limited Warranty in the Warranty Section of this manual*.

Check the oil level daily. If it is below the lower limit of the dipstick add the new oil to keep the oil level between upper and lower mark, even if it is remaining the change interval.

Consult your authorized YANMAR industrial engine dealer or distributor for assistance when checking items marked with a ●.





### Periodic Maintenance Chart

○: Check ◇: Replace ●: Contact your authorized YANMAR industrial engine dealer or distributor

System	Check item	Daily	Periodic maintenance interval						
			Every 50 hours	Every 250 hours	Every 500 hours	Every 1000 hours	Every 1500 hours	Every 2000 hours	Every 3000 hours
Cooling system	Check and refill engine coolant	○							
	Check and clean radiator fins		○						
	Check and adjust cooling fan V-belt		○ 1st time	○ 2nd and after					
	Drain, flush and refill cooling system with new coolant						◇ or every 2 years which ever comes first		
Cylinder head	Adjust intake/exhaust valve clearance					●			
Electrical equipment	Check indicators	○							
	Check battery		○						
Engine oil	Check engine oil level	○							
	Drain and fill engine oil								
	Replace engine oil filter			◇ <sup>*1</sup>	◇ or every 1 year <sup>*2</sup>				
Engine speed control	Check and adjust governor lever and engine speed control	○		○					

# PERIODIC MAINTENANCE

○: Check ◇: Replace ●: Contact your authorized YANMAR industrial engine dealer or distributor

System	Check item	Daily	Periodic maintenance interval							
			Every 50 hours	Every 250 hours	Every 500 hours	Every 1000 hours	Every 1500 hours	Every 2000 hours	Every 3000 hours	
Emission control warranty	Inspect, clean and test fuel injectors, if necessary							●		
	 Inspect turbocharger (blower wash as necessary)									●
	 Inspect, clean and test EGR valve									●
	 Clean EGR lead valve									●
	 Clean EGR cooler (clean to blow water/air passages)							●		
	Inspect crankcase breather system							●		
Fuel	Check and refill fuel tank level	○								
	Drain fuel tank			○						
	Drain fuel filter/water separator		○							
	Check fuel filter/water separator	○								
	Clean fuel filter/water separator				○					
	Replace fuel filter				◇					
Hoses	Replace fuel system and cooling system hoses								◇ or every 2 years	
Intake and exhaust	Clean or replace air cleaner element			○	◇					
Complete engine	Overall visual check daily	○								

\*1: IDI model only

\*2: DI model only (Differ depending on the application or engine oil capacity.)

If the engine is equipped with a shallow type oil sump, the maintenance interval should be every 250 hours regardless of the implement.

Note: These procedures are considered normal maintenance and are performed at the owner's expense.

PERIODIC MAINTENANCE PROCEDURES

**After Initial 50 Hours of Operation**

Perform the following maintenance after the initial 50 hours of operation.

- Check and adjust cooling fan V-belt

**⚠ WARNING**

**Sudden Movement Hazard!**

- Engaging the transmission or PTO at an elevated engine speed could result in unexpected movement of the equipment.
- Failure to comply could result in death or serious injury.

■ **Check and adjust cooling fan V-belt**

The V-belt will slip if it does not have the proper tension. This will prevent the alternator from generating sufficient power. Also, the engine will overheat due to the engine coolant pump pulley slipping.

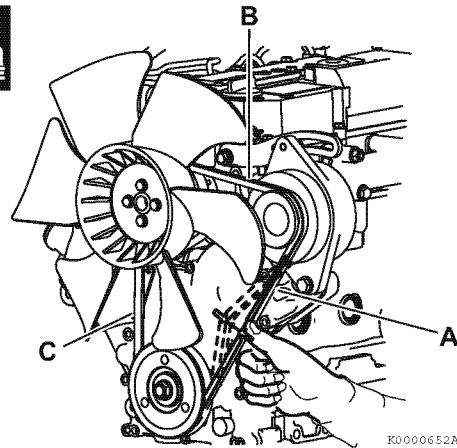
Check and adjust the V-belt tension (deflection) as follows:

1. Press the V-belt down with your thumb with a force of approximately 22 ft-lb (98 N·m, 10 kgf·m) to check the deflection.

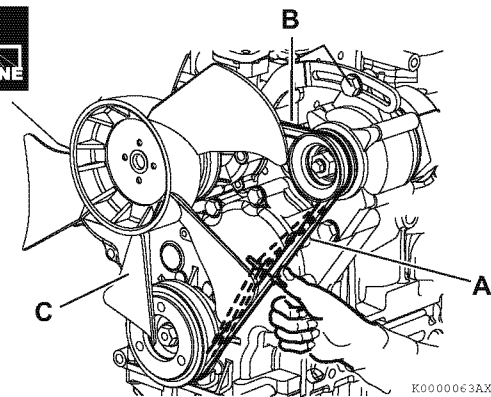
There are three positions to check for V-belt tension (A, B and C, **Figure 1**). You can check the tension at whichever position is the most accessible. The proper deflection of a used V-belt at each position is:

Used V-belt tension		
A	B	C
3/8 - 1/2 in. (10 - 14 mm)	1/4 - 3/8 in. (7 - 10 mm)	5/16 - 1/2 in. (9 - 13 mm)

*Note: A "Used V-Belt" refers to a V-belt which has been used on a running engine for five minutes or more.*



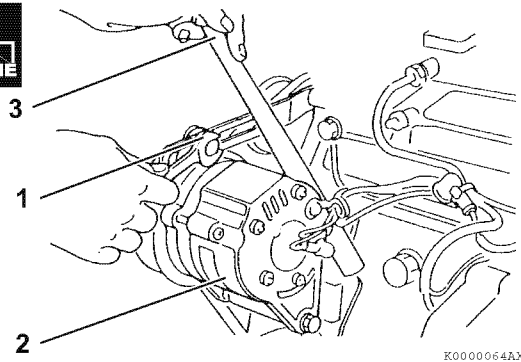
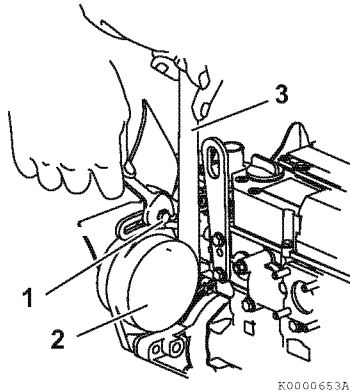
K0000652A



K000063AX

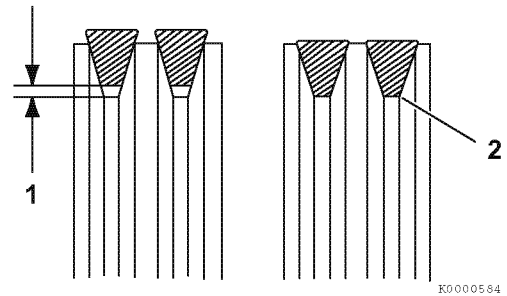
**Figure 1**

- If necessary, adjust the V-belt tension. Loosen the adjusting bolt (1, **Figure 2**) and related bolts and/or nuts, then move the alternator (2, **Figure 2**) with a pry bar (3, **Figure 2**) to tighten the V-belt to the desired tension. Then tighten the adjusting bolts and/or nuts.



**Figure 2**

- Tighten the V-belt to the proper tension. There must be clearance (1, **Figure 3**) between the V-belt and the bottom of the pulley groove. If there is no clearance (2, **Figure 3**) between the V-belt and the bottom of the pulley groove, replace the V-belt.



**Figure 3**

- Check the V-belt for cracks, oil or wear. If any of these conditions exist, replace the V-belt.
- Install the new V-belt. Refer to the table for proper tension.

New V-belt tension		
A	B	C
5/16 - 7/16 in. (8 - 12 mm)	3/16 - 5/16 in. (5 - 8 mm)	1/4 - 7/16 in. (7 - 11 mm)

- After adjusting, run the engine for 5 minutes or more. Check the tension again using the specifications for a used V-belt.

Used V-belt tension		
A	B	C
3/8 - 1/2 in. (10 - 14 mm)	1/4 - 3/8 in. (7 - 10 mm)	5/16 - 1/2 in. (9 - 13 mm)

### Every 50 Hours of Operation

After you complete the initial 50 hour maintenance procedures, perform the following procedures every 50 hours thereafter.

- Drain fuel filter/water separator
- Check battery

#### ■ Drain fuel filter/separator

### DANGER

#### Fire and Explosion Hazard!



- Diesel fuel is flammable and explosive under certain conditions.

- When you remove any fuel system component to perform maintenance (such as changing the fuel filter) place an approved container under the opening to catch the fuel.
- Never use a shop rag to catch the fuel. Vapors from the rag are flammable and explosive.
- Wipe up any spills immediately.
- Wear eye protection. The fuel system is under pressure and fuel could spray out when you remove any fuel system component.
- Failure to comply will result in death or serious injury.

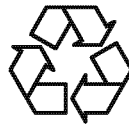
### NOTICE



If no water drips when the fuel filter/water separator drain cock is opened, loosen the air vent screw on the top of the fuel filter/water separator by using a screwdriver to turn it counterclockwise 2 - 3 turns.

This may occur if the fuel filter/water separator is positioned higher than the fuel level in the fuel tank. After draining the fuel filter/water separator, be sure to tighten the air vent screw.

### NOTICE



- Always be environmentally responsible.

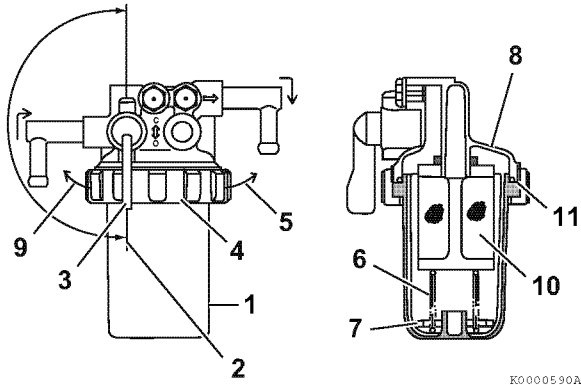
- Follow the guidelines of the EPA or other governmental agencies for the proper disposal of hazardous materials such as engine oil, diesel fuel and engine coolant. Consult the local authorities or reclamation facility.
- Never dispose of hazardous materials irresponsibly by dumping them into a sewer, on the ground, or into ground water or waterways.
- Failure to follow these procedures may seriously harm the environment.

Drain the fuel filter/water separator whenever there are contaminants, such as water, collected in the bottom of the cup. Never wait until the scheduled periodic maintenance if contaminants are discovered.

The separator cup is made from semi-transparent material. In the cup is a red-colored float ring. The float ring will rise to the surface of the water to show how much needs to be drained. Also, some optional fuel filter/water separators are equipped with a sensor to detect the amount of contaminants. This sensor sends a signal to an indicator to alert the operator.



Drain the fuel filter/water separator as follows:



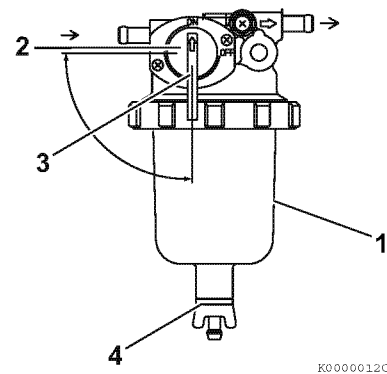
**Figure 4**

1. Position an approved container under the fuel filter/water separator (1, **Figure 4**) to collect the contaminants.
2. Close (2, **Figure 4**) the fuel cock (3, **Figure 4**).
3. Turn the retaining ring (4, **Figure 4**) to the left (9, **Figure 4**).
4. Carefully remove the cup (1, **Figure 4**). Remove the retaining spring (6, **Figure 4**) and float (7, **Figure 4**) from the cup. Pour the fuel into an approved container and dispose of waste properly. Hold the bottom of the cup with a shop towel to prevent the fuel from dripping. Wipe up any spills immediately.
5. Clean the inside of the cup.
6. Inspect the condition of the mesh filter (10, **Figure 4**). Clean the mesh filter if necessary.
7. Inspect the condition of the O-ring (11, **Figure 4**). Replace the O-ring if necessary.

8. Put the float (7, **Figure 4**) and retaining spring (6, **Figure 4**) inside the cup.
9. Reinstall the cup to the mounting flange (8, **Figure 4**) and turn the retaining ring (4, **Figure 4**) to the right (5, **Figure 4**). hand-tighten only.
10. Open the fuel cock (3, **Figure 4**).
11. Be sure to prime the diesel fuel system when you are done. See *Priming the Fuel System* on page 61.
12. Check for fuel leaks.



Drain the fuel filter/water separator as follows:



**Figure 5**

1. Position an approved container under the fuel filter/water separator (1, **Figure 5**) to collect the contaminants.
2. Close (2, **Figure 5**) the fuel cock (3, **Figure 5**).
3. Loosen the drain cock (4, **Figure 5**) at the bottom of the fuel filter/water separator. Drain any water collected inside.
4. Hand-tighten the drain cock.
5. Open the fuel cock (3, **Figure 5**).

### NOTICE



If no water drips when the fuel filter/water separator drain cock is opened, loosen the air vent screw on the top of the fuel filter/water separator by using a screwdriver to turn it counterclockwise 2 - 3 turns.

This may occur if the fuel filter/water separator is positioned higher than the fuel level in the fuel tank. After draining the fuel filter/water separator, be sure to tighten the air vent screw.

6. Be sure to prime the diesel fuel system when you are done. See *Priming the Fuel System* on page 61.
7. Check for fuel leaks.

### ■ Check battery

### ⚠ DANGER

#### Explosion Hazard!



- Never short out the battery terminals, including when checking the remaining battery charge. This will result in a spark and may cause an explosion or fire. Use a hydrometer to check the remaining battery charge.
- If the electrolyte is frozen, slowly warm the battery before you recharge it.
- Failure to comply will result in death or serious injury.

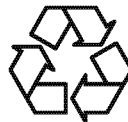
### ⚠ WARNING

#### Burn Hazard!



- Batteries contain sulfuric acid. Never allow battery fluid to come in contact with clothing, skin or eyes. Severe burns could result. Always wear safety goggles and protective clothing when servicing the battery. If battery fluid contacts the eyes and/or skin, immediately flush the affected area with a large amount of clean water and obtain prompt medical treatment.
- Failure to comply could result in death or serious injury.

### NOTICE



- Always be environmentally responsible.
- Follow the guidelines of the EPA or other governmental agencies for the proper disposal of hazardous materials such as engine oil, diesel fuel and engine coolant. Consult the local authorities or reclamation facility.
- Never dispose of hazardous materials irresponsibly by dumping them into a sewer, on the ground, or into ground water or waterways.
- Failure to follow these procedures may seriously harm the environment.

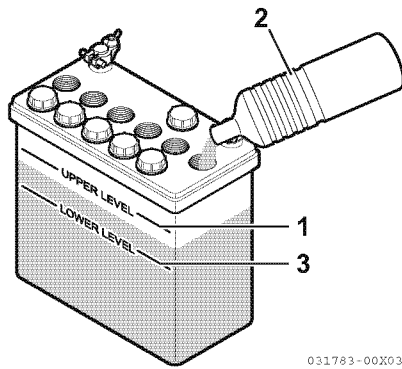


Figure 6

- When the amount of fluid nears the lower limit (3, Figure 6), fill with distilled water (2, Figure 6) so it is at the upper limit (1, Figure 6). If operation continues with insufficient battery fluid, the battery life is shortened, and the battery may overheat and explode. During the summer, check the fluid level more often than specified.
- If the engine cranking speed is so slow that the engine does not start, recharge the battery.
- If the engine still will not start after charging, have your authorized YANMAR industrial engine dealer or distributor check the battery and the engine's starting system.
- If operating the machine where the ambient temperature could drop to -15 °C (5 °F) or less, remove the battery from the machine at the end of the day. Store the battery in a warm place until the next use. This will help start the engine easily at low ambient temperatures.

## Every 250 Hours of Operation

Perform the following maintenance every 250 hours of operation.

- Drain fuel tank
- Replace engine oil and engine oil filter (IDI model)
- Check and clean radiator fins
- Check and adjust cooling fan V-belt
- Check and adjust the governor lever and engine speed control
- Clean air cleaner element

### ■ Drain fuel tank

**⚠ DANGER**

#### Fire and Explosion Hazard!



- Diesel fuel is flammable and explosive under certain conditions.

- When you remove any fuel system component to perform maintenance (such as changing the fuel filter) place an approved container under the opening to catch the fuel.
- Never use a shop rag to catch the fuel. Vapors from the rag are flammable and explosive.
- Wipe up any spills immediately.
- Wear eye protection. The fuel system is under pressure and fuel could spray out when you remove any fuel system component.
- Failure to comply will result in death or serious injury.

## NOTICE

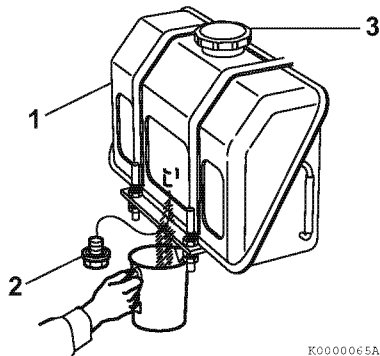


- Always be environmentally responsible.

- Follow the guidelines of the EPA or other governmental agencies for the proper disposal of hazardous materials such as engine oil, diesel fuel and engine coolant. Consult the local authorities or reclamation facility.
- Never dispose of hazardous materials irresponsibly by dumping them into a sewer, on the ground, or into ground water or waterways.
- Failure to follow these procedures may seriously harm the environment.

Note that a typical fuel tank is illustrated.

1. Position an approved container under the diesel fuel tank (1, **Figure 7**) to collect the contaminants.



**Figure 7**

2. Remove the fuel cap (3, **Figure 7**).
3. Remove the drain plug (2, **Figure 7**) to drain the contaminants (water, dirt, etc.) from the bottom of the tank.
4. Drain the tank until clean diesel fuel with no water or dirt flows out. Reinstall and tighten the drain plug firmly.
5. Reinstall the fuel cap.
6. Check for leaks.

## ■ Replace engine oil and engine oil filter (IDI model)

## ⚠ WARNING

### Burn Hazard!



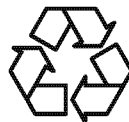
- If you must drain the engine oil while it is still hot, stay clear of the hot engine oil to avoid being burned.

- Always wear eye protection.
- Failure to comply could result in death or serious injury.

## NOTICE

- Only use the engine oil specified. Other engine oils may affect warranty coverage, cause internal engine components to seize and/or shorten engine life.
- Prevent dirt and debris from contaminating the engine oil. Carefully clean the oil cap/dipstick and the surrounding area before you remove the cap.
- Never mix different types of engine oil. This may adversely affect the lubricating properties of the engine oil.
- Never overfill. Overfilling may result in white exhaust smoke, engine overspeed or internal damage.

## NOTICE



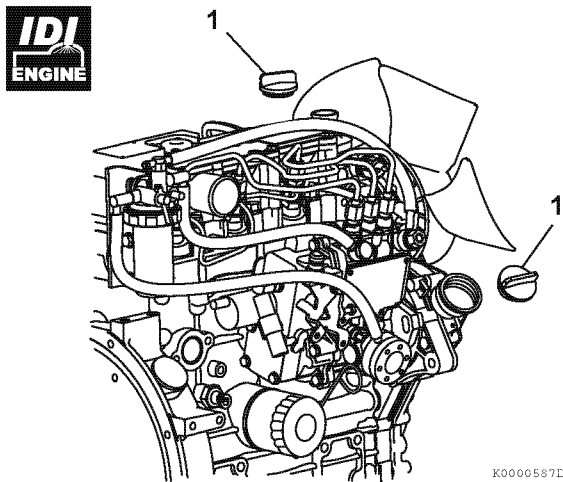
- Always be environmentally responsible.

- Follow the guidelines of the EPA or other governmental agencies for the proper disposal of hazardous materials such as engine oil, diesel fuel and engine coolant. Consult the local authorities or reclamation facility.
- Never dispose of hazardous materials irresponsibly by dumping them into a sewer, on the ground, or into ground water or waterways.
- Failure to follow these procedures may seriously harm the environment.

Change the engine oil every 250 hours of operation. Replace the engine oil filter at the same time.

Drain the engine oil as follows:

1. Make sure the engine is level.
2. Start the engine and bring it up to operating temperature.
3. Stop the engine.
4. Remove one of the oil filler caps (1, **Figure 8**) to vent the engine crankcase and allow the engine oil to drain more easily.
5. Position a container under the engine to collect waste oil.



**Figure 8**

*Note: The oil drain plug may be in another location if an optional oil pan is used.*

6. Remove the oil drain plug (1, **Figure 9**) from the engine oil pan. Allow oil to drain.
7. After all oil has been drained from the engine, reinstall the oil drain plug (1, **Figure 9**) and tighten to 40 - 47 ft-lb (53.9 - 63.7 N·m, 5.5 - 6.5 kgf·m).
8. Dispose of used oil properly.

Remove the engine oil filter as follows:

1. Turn the engine oil filter (2, **Figure 9**) counterclockwise (3, **Figure 9**) using an oil filter wrench.
2. Clean the engine oil filter mounting face.
3. Lightly coat the gasket on the new oil filter with engine oil. Install the new engine oil filter manually by turning it clockwise (4, **Figure 9**) until it contacts the mounting surface. Tighten to 14 - 17 ft-lb (19.6 - 23.5 N·m, 2.0 - 2.4 kgf·m) or one additional turn using the oil filter wrench.



Engine oil filter Part No.

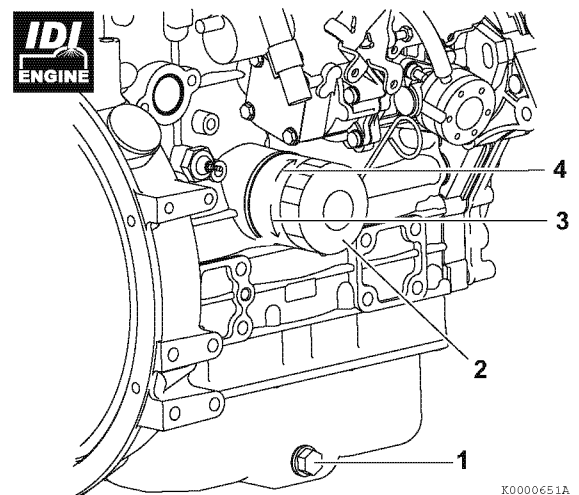
2TNV70, 3TNV70, 3TNV76

119305-35151

4. Add new engine oil to the engine through either of the oil filler ports as specified in *Adding Engine Oil* on page 63.

## NOTICE

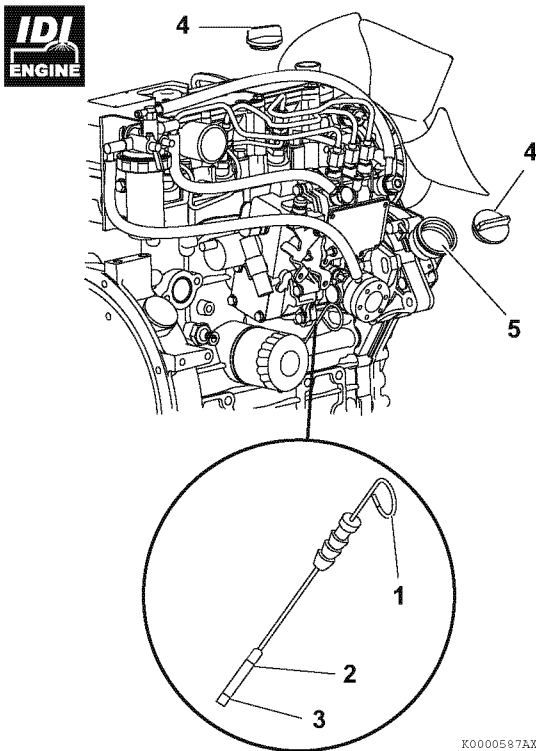
- Never overfill the engine with engine oil.
- Always keep the oil level between the upper and lower lines on the oil cap/dipstick.



**Figure 9**

## PERIODIC MAINTENANCE

5. Warm up the engine by running it for 5 minutes and check for any engine oil leaks.
6. After engine is warm, shut it off and let it sit for 10 minutes.
7. Recheck the engine oil level.
8. Add engine oil to engine oil filler port (5, **Figure 10**) as needed until the level is between the upper (2, **Figure 10**) and lower lines (3, **Figure 10**) shown on the dipstick (1, **Figure 10**).
9. Reinstall the oil filler cap (4, **Figure 10**). If any engine oil is spilled, wipe it away with a clean cloth.

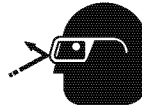


**Figure 10**

### ■ Check and clean radiator fins

#### ⚠ CAUTION

#### Flying Object Hazard!

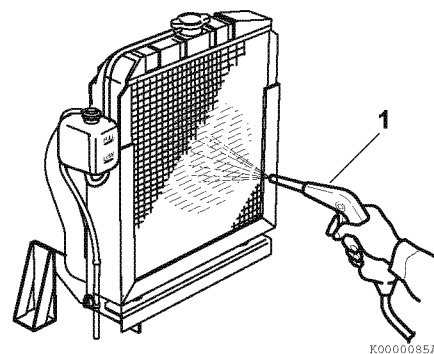


- Always wear eye protection when servicing the engine and when using compressed air or high-pressure water. Dust, flying debris, compressed air, pressurized water or steam may injure your eyes.
- Failure to comply may result in minor or moderate injury.

Dirt and dust adhering to the radiator fins reduce the cooling performance, causing overheating. Make it a rule to check the radiator fins daily and clean as needed.

Note that a typical radiator is shown in **Figure 11** for illustrative purposes only.

- Blow off dirt and dust from fins and radiator with 28 psi (0.19 MPa, 2 kgf/cm<sup>2</sup>) or less of compressed air (1, **Figure 11**). Be careful not to damage the fins with the compressed air.



**Figure 11**

- If there is a large amount of contamination on the fins, apply detergent, thoroughly clean and rinse with tap water.

**NOTICE**

Never use high-pressure water or compressed air at greater than 28 psi (193 kPa; 19686 mmAq) or a wire brush to clean the radiator fins. Radiator fins damage easily.

■ **Check and adjust cooling fan V-belt**

Check and adjust the cooling fan V-belt every 250 hours of operation after the initial 50 hour V-belt maintenance. See *Check and adjust cooling fan V-belt on page 84.*

■ **Check and adjust the governor lever and engine speed control (except electronically controlled engines)**

The governor lever and engine speed control (throttle lever, accelerator pedal etc.), are connected together by a cable or linkage. If the cable becomes stretched, or the linkage wears or loosens, the governor lever may not respond to a change in the position of the engine speed control.

**NOTICE**

Never attempt to adjust the low or high idle speed limit screw. This may impair the safety and performance of the machine and shorten its life. If the idle speed limit screws require adjustment, see your authorized YANMAR industrial engine dealer or distributor.

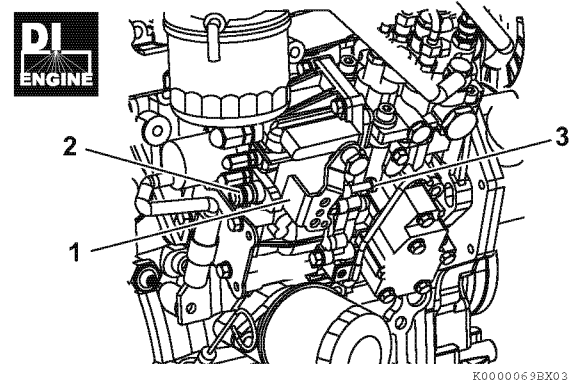
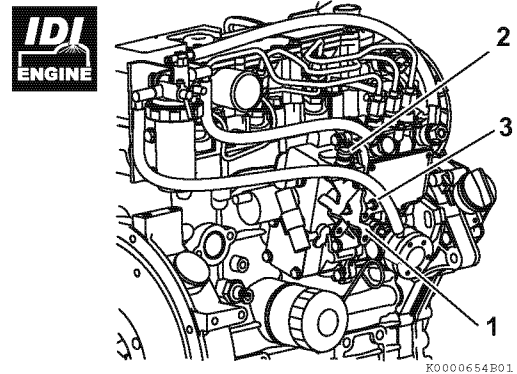
1. Check that the governor lever (1, **Figure 12**) makes firm contact with the high idle stop (2, **Figure 12**) and the low idle speed limit screw (3, **Figure 12**) when the engine speed control is in the full speed or low idle speed positions.
2. If the governor lever does not make proper contact with the high idle stop or the low idle speed limit screw, adjust the throttle cable or linkage as necessary.

*Note: Do not force the throttle cable or linkage to move. This may damage the governor lever, the throttle cable or linkage and cause irregular operation of the engine speed control.*

**NOTICE**

The engine speed control (throttle lever, accelerator pedal etc.), should be equipped with stops to prevent the application of excessive pressure by the governor lever to either the high idle stop or low idle speed limit screw.

See your authorized YANMAR industrial dealer or distributor for the adjustment procedures for your specific engine or machine.



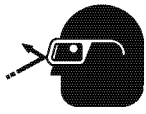
**Figure 12**

## PERIODIC MAINTENANCE

### ■ Clean air cleaner element

#### ⚠ CAUTION

##### Flying Object Hazard!



- Always wear eye protection when servicing the engine and when using compressed air or high-pressure water. Dust, flying debris, compressed air, pressurized water or steam may injure your eyes.

- Failure to comply may result in minor or moderate injury.

Note that a typical air cleaner is shown in **Figure 13** and **Figure 14** for illustrative purposes only.

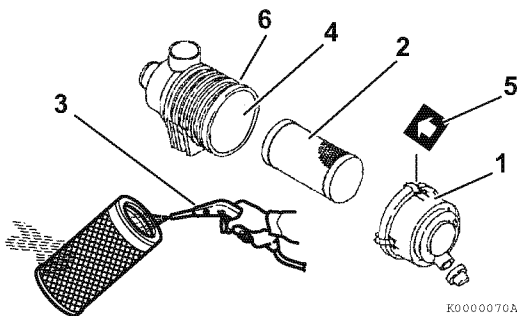


Figure 13

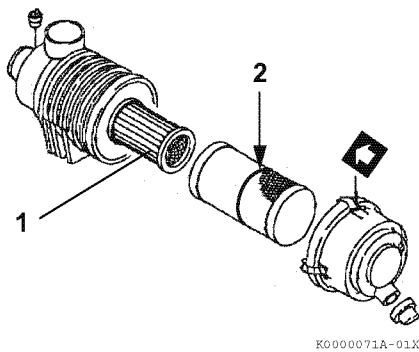


Figure 14

The engine performance is adversely affected when the air cleaner element is clogged with dust. Be sure to clean the air filter element periodically.

1. Unlatch and remove the air cleaner cover (1, **Figure 13**).
2. Remove the element (2, **Figure 13**) (outer element if equipped with two elements).
3. Blow air (3, **Figure 13**) through the element from the inside out using 42 - 71 psi (0.29 - 0.49 MPa, 3.0 - 5.0 kgf/cm<sup>2</sup>) compressed air to remove the particulates. Use the lowest possible air pressure to remove the dust without damaging the element.
4. If the air cleaner is equipped with a double element, only remove and replace the inner element (1, **Figure 14**) if the engine lacks power or the dust indicator actuates (if equipped).

*Note: The inner element should not be removed when cleaning or replacing the outer element. The inner element is used to prevent dust from entering the engine while servicing the outer element.*

5. Replace the element with a new one if the element is damaged, excessively dirty or oily.
  6. Clean inside of the air cleaner cover.
  7. Reinstall the element into the air cleaner case (4, **Figure 13**).
- Note: If there is a red line (2, **Figure 14**) in the outer element, reinsert the element until the overlap position of red line and end face of the air cleaner case.*
8. Reinstall the air cleaner cover making sure you match the arrow (5, **Figure 13**) on the cover with the arrow on the case (6, **Figure 13**).
  9. Latch the air cleaner cover to the case.

#### NOTICE

- When the engine is operated in dusty conditions, clean the air cleaner element more frequently.
- Never operate the engine with the air cleaner element(s) removed. This may allow foreign material to enter the engine and damage it.

## Every 500 Hours of Operation

Perform the following maintenance every 500 hours of operation.

- Replace air cleaner element
- Replace fuel filter
- Clean fuel filter/water separator
- Replace engine oil and engine oil filter (DI model)
  - \* Differ depending on the application, engine model or engine oil capacity

### ■ Replace air cleaner element

#### NOTICE

The maximum air intake restriction, in terms of differential pressure measurement, must not exceed 0.90 psi (6.23 kPa; 635 mmAq). Clean or replace the air cleaner element if the air intake restriction exceeds the above mentioned value.

Replace the air cleaner element (2, **Figure 13**) every 500 hours even if it is not damaged or dirty.

When replacing the element, clean the inside of the air cleaner case (4, **Figure 13**).

If the air cleaner is equipped with a double element, only remove and replace the inner element (1, **Figure 14**) if the engine lacks power or the dust indicator actuates (if equipped). This is in addition to replacing the outer element.

### ■ Replace fuel filter

#### ⚠ DANGER

#### Fire and Explosion Hazard!



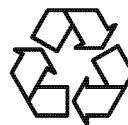
- Diesel fuel is flammable and explosive under certain conditions.

- When you remove any fuel system component to perform maintenance (such as changing the fuel filter) place an approved container under the opening to catch the fuel.
- Never use a shop rag to catch the fuel. Vapors from the rag are flammable and explosive.
- Wipe up any spills immediately.
- Wear eye protection. The fuel system is under pressure and fuel could spray out when you remove any fuel system component.
- Failure to comply will result in death or serious injury.

#### NOTICE

For maximum engine life, YANMAR recommends that when shutting the engine down, you allow the engine to idle, without load, for five minutes. This will allow the engine components that operate at high temperatures, such as the turbocharger (if equipped) and exhaust system, to cool slightly before the engine itself is shut down.

#### NOTICE



- Always be environmentally responsible.

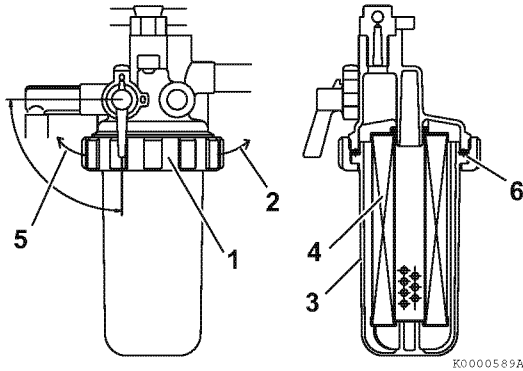
- Follow the guidelines of the EPA or other governmental agencies for the proper disposal of hazardous materials such as engine oil, diesel fuel and engine coolant. Consult the local authorities or reclamation facility.
- Never dispose of hazardous materials irresponsibly by dumping them into a sewer, on the ground, or into ground water or waterways.
- Failure to follow these procedures may seriously harm the environment.

## PERIODIC MAINTENANCE



Replace the fuel filter at specified intervals to prevent contaminants from adversely affecting the diesel fuel flow.

1. Stop the engine and allow it to cool.
2. Close the fuel cock of the fuel filter/water separator.
3. Turn the retaining ring (1, **Figure 15**) to the left (5, **Figure 15**).



**Figure 15**

4. Carefully remove the cup (3, **Figure 15**). Pour the fuel into an approved container and dispose of waste properly. Hold the bottom of the cup with a shop towel to prevent the fuel from dripping. Wipe up any spills immediately.
5. Remove the fuel filter (4, **Figure 15**) by pulling it down.
6. Replace the fuel filter with a new one.

Applicable fuel filter Part No.		
	Standard	Dust proof*
2TNV70, 3TNV70, 3TNV76	119833-55620	119802-55801

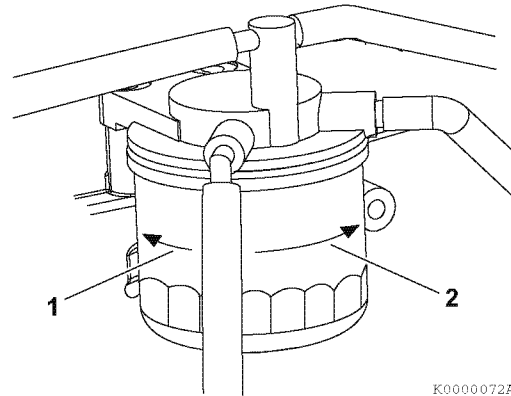
\* Consult the operation manual for the driven machine for applicability of the dust proof filter.

7. Wash the inside of the cup.
8. Check the condition of the O-ring (6, **Figure 15**). Replace if necessary.
9. Install the cup to the mounting flange and turn the retaining ring (1, **Figure 15**) to the right (2, **Figure 15**). Hand-tighten only.
10. Open the fuel cock of the fuel filter/water separator.
11. Prime the fuel system. See *Priming the Fuel System* on page 61.
12. Check for fuel leaks.



Replace the fuel filter at specified intervals to prevent contaminants from adversely affecting the diesel fuel flow.

1. Stop the engine and allow it to cool.
2. Close the fuel cock of the fuel filter/water separator.
3. Remove the fuel filter using a filter wrench to turn it to the left (1, **Figure 16**). When removing the fuel filter, carefully hold it to prevent the fuel from spilling. Wipe up all spilled fuel.



**Figure 16**

4. Clean the filter mounting surface and apply a small amount of diesel fuel to the gasket of the new fuel filter.
5. Install the new fuel filter. Hand-tighten it to the right (2, **Figure 16**) until it comes in contact with the mounting surface. Use a filter wrench and tighten to 14 - 17 ft-lb (19.6 - 23.5 N·m, 2.0 - 2.4 kgf·m) or one additional turn using the filter wrench.

Applicable fuel filter Part No.		
	Standard	Dust proof*
3TNV82A -4TNV98, 3TNV82A-B -4TNV98-B	119802-55801	129907-55801
4TNV98T, 4TNV98T-Z -4TNV106T	123907-55801	

\* Consult the operation manual for the driven machine for applicability of the dust proof filter.

6. Open the fuel cock of the fuel filter/water separator.
7. Prime the fuel system. See *Priming the Fuel System* on page 61.
8. Check for fuel leaks.

■ Clean fuel filter/water separator

**⚠ DANGER**

**Fire and Explosion Hazard!**

- Diesel fuel is flammable and explosive under certain conditions.



- Never use diesel fuel as a cleaning agent.
- When you remove any fuel system component to perform maintenance (such as changing the fuel filter) place an approved container under the opening to catch the fuel.
- Never use a shop rag to catch the fuel. Vapors from the rag are flammable and explosive.
- Wipe up any spills immediately.
- Wear eye protection. The fuel system is under pressure and fuel could spray out when you remove any fuel system component.
- Failure to comply will result in death or serious injury.

**NOTICE**



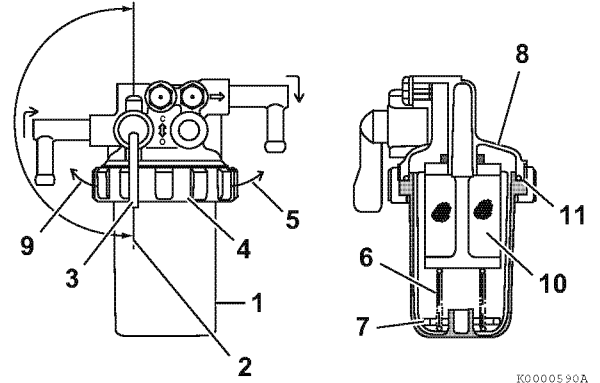
- Always be environmentally responsible.

- Follow the guidelines of the EPA or other governmental agencies for the proper disposal of hazardous materials such as engine oil, diesel fuel and engine coolant. Consult the local authorities or reclamation facility.
- Never dispose of hazardous materials irresponsibly by dumping them into a sewer, on the ground, or into ground water or waterways.
- Failure to follow these procedures may seriously harm the environment.



Periodically clean the fuel filter/water separator element and inside cup.

1. Position an approved container under the cup (1, **Figure 17**) of the fuel filter/water separator to collect the contaminants.



**Figure 17**

2. Close (2, **Figure 17**) the fuel cock (3, **Figure 17**).
  3. Turn the retaining ring (4, **Figure 17**) to the left (9, **Figure 17**).
  4. Carefully remove the cup (1, **Figure 17**). Remove the retaining spring (6, **Figure 17**) and float (7, **Figure 17**) from the cup. Pour the fuel into an approved container and dispose of waste properly. Hold the bottom of the cup with a shop towel to prevent the fuel from dripping. Wipe up any spills immediately.
  5. Clean the inside of the cup.
  6. Remove the mesh filter (10, **Figure 17**) by pulling it down.
  7. Replace the mesh filter with a new one.
- | Applicable mesh filter Part No. |              |
|---------------------------------|--------------|
| 2TNAV70, 3TNAV70, 3TNAV76       | 171081-55910 |
8. Inspect condition of the O-ring (11, **Figure 17**). Replace if necessary.
  9. Put the float (7, **Figure 17**) and retaining spring (6, **Figure 17**) inside the cup.

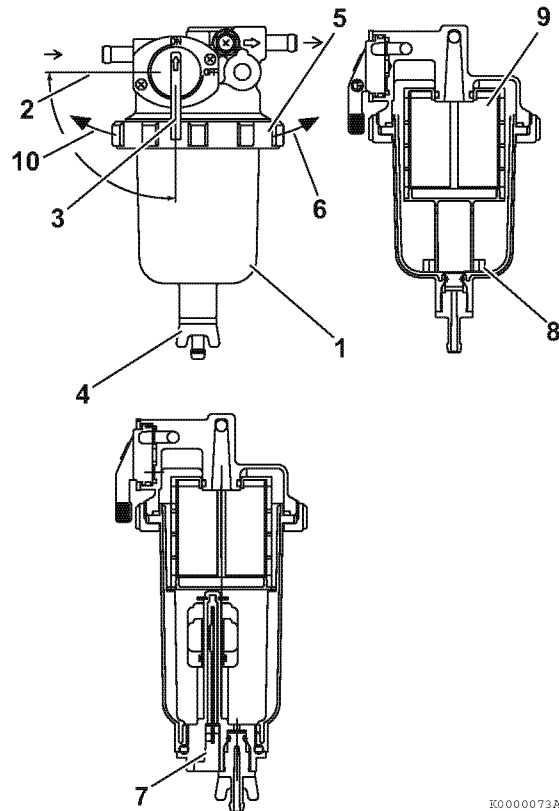
## PERIODIC MAINTENANCE

10. Install the cup to the mounting flange (8, **Figure 17**) and turn the retaining ring (4, **Figure 17**) to the right (5, **Figure 17**). Hand-tighten only.
11. Open the fuel cock (3, **Figure 17**).
12. Prime the fuel system. See *Priming the Fuel System on page 61*.
13. Check for fuel leaks.



Periodically clean the fuel filter/water separator element and inside the cup.

1. Position an approved container under the cup (1, **Figure 18**) of the fuel filter/water separator to collect the contaminants.
2. Close (2, **Figure 18**) the fuel cock (3, **Figure 18**).
3. Loosen the drain cock (4, **Figure 18**) and drain the contaminants. See *Drain fuel filter/separator on page 86*.
4. Turn the retaining ring (5, **Figure 18**) to the left (10, **Figure 18**) and remove the cup (1, **Figure 18**). If equipped, disconnect the sensor wire (7, **Figure 18**) from the cup before removing the cup.
5. Carefully hold the cup to prevent fuel from spilling. If you spill any fuel, clean up the spill completely.
6. Remove the float ring (8, **Figure 18**) from the cup. Pour the contaminants into the container and dispose of it properly.
7. Clean the element (9, **Figure 18**) and inside cup. Replace the element if it is damaged.



K0000073A

**Figure 18**

8. Install the element and O-ring in the bracket.
9. Position the float ring in the cup.
10. Check the condition of the O-ring. Replace if necessary.
11. Install the cup to the bracket by tightening the retaining ring to the right (6, **Figure 18**) to 11 - 15 ft-lb (15 - 20 N·m, 1.5 - 2.0 kgf·m).
12. Close the drain cock. Reconnect the sensor wire if equipped.
13. Open the fuel cock (3, **Figure 18**).
14. Prime the fuel system. See *Priming the Fuel System on page 61*.
15. Check for leaks.

Applicable element Part No.	
All models	119802-55710

## ■ Replace engine oil and engine oil filter (DI model)

### ⚠ WARNING

#### Burn Hazard!



- If you must drain the engine oil while it is still hot, stay clear of the hot engine oil to avoid being burned.

- Always wear eye protection.
- Failure to comply could result in death or serious injury.

### NOTICE

- Only use the engine oil specified. Other engine oils may affect warranty coverage, cause internal engine components to seize and/or shorten engine life.
- Prevent dirt and debris from contaminating the engine oil. Carefully clean the oil cap/dipstick and the surrounding area before you remove the cap.
- Never mix different types of engine oil. This may adversely affect the lubricating properties of the engine oil.
- Never overfill. Overfilling may result in white exhaust smoke, engine overspeed or internal damage.

### NOTICE



- Always be environmentally responsible.

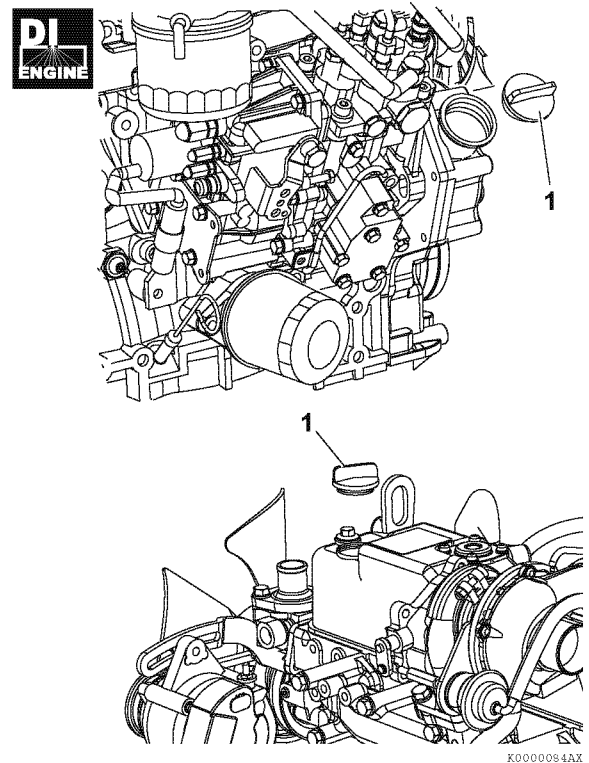
- Follow the guidelines of the EPA or other governmental agencies for the proper disposal of hazardous materials such as engine oil, diesel fuel and engine coolant. Consult the local authorities or reclamation facility.
- Never dispose of hazardous materials irresponsibly by dumping them into a sewer, on the ground, or into ground water or waterways.
- Failure to follow these procedures may seriously harm the environment.

Change the engine oil every 500 hours or 1 year of operation. Replace the engine oil filter at the same time.

If the engine is equipped with a shallow type oil sump, the maintenance interval for the engine oil and filter should be every 250 hours regardless of the implement.

Drain the engine oil as follows:

1. Make sure the engine is level.
2. Start the engine and bring it up to operating temperature.
3. Stop the engine.
4. Remove one of the oil filler caps (1, **Figure 19**) to vent the engine crankcase and allow the engine oil to drain more easily.
5. Position a container under the engine to collect waste oil.



**Figure 19**

*Note: The oil drain plug may be in another location if an optional oil pan is used.*

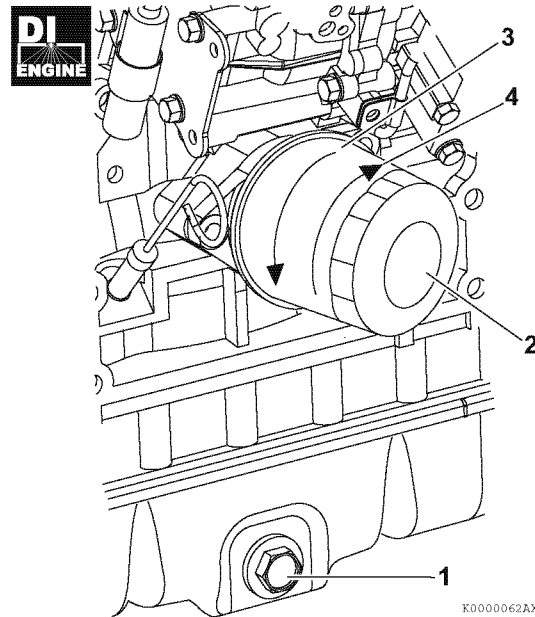
6. Remove the oil drain plug (1, **Figure 20**) from the engine oil pan. Allow oil to drain.

## PERIODIC MAINTENANCE

7. After all oil has been drained from the engine, reinstall the oil drain plug (1, **Figure 20**) and tighten to 40 - 47 ft-lb (53.9 - 63.7 N·m, 5.5 - 6.5 kgf·m).
8. Dispose of used oil properly.

Remove the engine oil filter as follows:

1. Turn the engine oil filter (2, **Figure 20**) counterclockwise (3, **Figure 20**) using an oil filter wrench.
2. Clean the engine oil filter mounting face.
3. Lightly coat the gasket on the new oil filter with engine oil. Install the new engine oil filter manually by turning it clockwise (4, **Figure 20**) until it contacts the mounting surface. Tighten to 14 - 17 ft-lb (19.6 - 23.5 N·m, 2.0 - 2.4 kgf·m) or one additional turn using the oil filter wrench.



**Figure 20**



### Engine oil filter Part No.

	Standard	Dust proof*
3TNV82A, 3TNV84 - 4TNV98, 3TNV82A-B, 3TNV88-B - 4TNV98-Z, 4TNV98-E	129150-35153	119005-35151
4TNV98T, 4TNV98T-Z, 4TNV106, 4TNV106T	119005-35151	

\* Consult the operation manual for the driven machine for applicability of the dust proof filter.

4. Add new engine oil to the engine through either of the oil filler ports as specified in *Adding Engine Oil* on page 63.

### NOTICE

- Never overfill the engine with engine oil.
- Always keep the oil level between the upper and lower lines on the oil cap/dipstick.

5. Warm up the engine by running it for 5 minutes and check for any engine oil leaks.
6. After engine is warm, shut it off and let it sit for 10 minutes.
7. Recheck the engine oil level.
8. Add engine oil to engine oil filler port (5, **Figure 21**) as needed until the level is between the upper (2, **Figure 21**) and lower lines (3, **Figure 21**) shown on the dipstick (1, **Figure 21**).
9. Reinstall the oil filler cap (4, **Figure 21**). If any engine oil is spilled, wipe it away with a clean cloth.

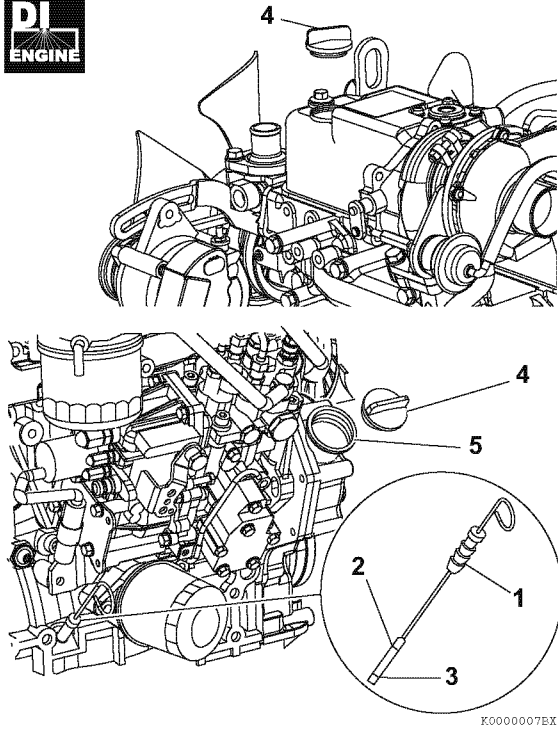


Figure 21

### Every 1000 Hours of Operation

Perform the following maintenance every 1000 hours of operation.

- Adjust intake/exhaust valve clearance if required

#### ■ Adjust intake/exhaust valve clearance

Proper adjustment is necessary to maintain the correct timing for opening and closing the valves. Improper adjustment will cause the engine to run noisily, resulting in poor engine performance and engine damage. See your authorized YANMAR industrial engine dealer or distributor to adjust the intake/exhaust valve clearance.

### Every 1500 Hours of Operation

Perform the following maintenance every 1500 hours of operation.

- Inspect, clean and test fuel injectors, if necessary
- Clean EGR cooler  
4TNV84T-Z, 4TNV98T-Z
- Inspect crankcase breather system

#### ■ Inspect, clean and test fuel injectors

#### **⚠ WARNING**

##### **High-Pressure Hazard!**



- Avoid skin contact with the high-pressure diesel fuel spray caused by a fuel system leak such as a broken fuel injection line. High-pressure fuel can penetrate your skin and result in serious injury. If you are exposed to high-pressure fuel spray, obtain prompt medical treatment.
- Never check for a fuel leak with your hands. Always use a piece of wood or cardboard. Have your authorized YANMAR industrial engine dealer or distributor repair the damage.
- Failure to comply could result in death or serious injury.

Proper operation of the fuel injectors is required to obtain the optimum injection pattern for full engine performance. The EPA/ARB requires that you have the injectors inspected, cleaned and tested every 1500 hours. See your authorized YANMAR industrial engine dealer or distributor for this service.

This procedure is considered normal maintenance and is performed at the owner's expense. This procedure is not covered by the YANMAR Limited Warranty.

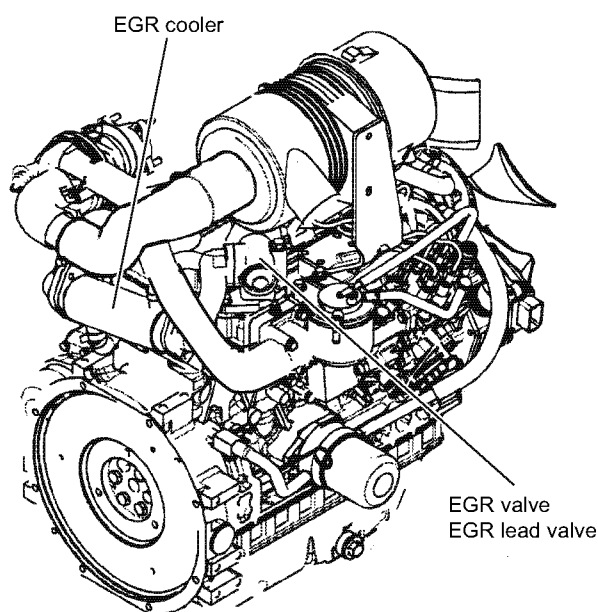
#### ■ Clean EGR cooler

4TNV84T-Z, 4TNV98T-Z

The EGR cooler is apt to be contaminated with rust and scale that deteriorate the cooling performance. Carbon accumulation in the exhaust gas passage of the cooler hinders circulation of exhaust gas, resulting in deterioration in exhaust gas cleanup performance.

To prevent such a problem, clean the cooler at least every 1500 hours.

Consult your local YANMAR dealer for this service.



*Figure 22*

#### ■ Inspect crankcase breather system

Proper operation of the crankcase breather system is required to maintain the emission requirements of the engine. The EPA/ARB requires that you have the crankcase breather system inspected every 1500 hours. See your authorized YANMAR industrial engine dealer or distributor for this service.

**Every 2000 Hours of Operation**

Perform the following maintenance every 2000 hours of operation.

- Check and replace fuel hoses and engine coolant hoses
- Drain, flush and refill cooling system with new coolant

■ **Check and replace fuel hoses and engine coolant hoses**

**NOTICE**



- Always be environmentally responsible.

- Follow the guidelines of the EPA or other governmental agencies for the proper disposal of hazardous materials such as engine oil, diesel fuel and engine coolant. Consult the local authorities or reclamation facility.
- Never dispose of hazardous materials irresponsibly by dumping them into a sewer, on the ground, or into ground water or waterways.
- Failure to follow these procedures may seriously harm the environment.

Regularly check the fuel system and engine coolant system hoses. If they are cracked or degraded, replace them. Replace the hoses at least every two years. See your authorized YANMAR industrial engine dealer or distributor to replace fuel hoses and engine coolant system hoses.

■ **Drain, flush and refill cooling system with new coolant**

**⚠ DANGER**

**Scald Hazard!**



- Never remove the radiator cap if the engine is hot. Steam and hot engine coolant will spurt out and seriously burn you. Allow the engine to cool down before you attempt to remove the radiator cap.
- Tighten the radiator cap securely after you check the radiator. Steam can spurt out during engine operation if the cap is loose.
- Always check the level of the engine coolant by observing the reserve tank.
- Failure to comply will result in death or serious injury.

**⚠ WARNING**

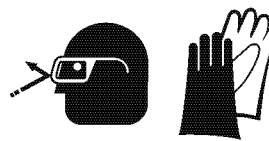
**Burn Hazard!**



- Wait until the engine cools before you drain the engine coolant. Hot engine coolant may splash and burn you.
- Failure to comply could result in death or serious injury.

**⚠ CAUTION**

**Engine Coolant Hazard!**



- Wear eye protection and rubber gloves when you handle long life or extended life engine coolant. If contact with the eyes or skin should occur, flush eyes and wash immediately with clean water.
- Failure to comply may result in minor or moderate injury.

## NOTICE

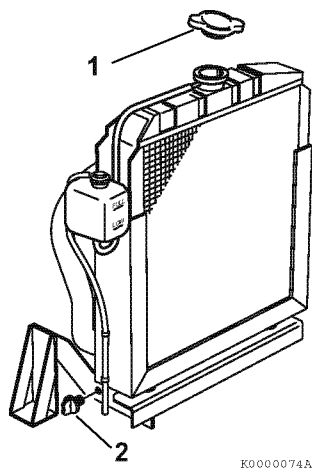


- Always be environmentally responsible.

- Follow the guidelines of the EPA or other governmental agencies for the proper disposal of hazardous materials such as engine oil, diesel fuel and engine coolant. Consult the local authorities or reclamation facility.
- Never dispose of hazardous materials irresponsibly by dumping them into a sewer, on the ground, or into ground water or waterways.
- Failure to follow these procedures may seriously harm the environment.

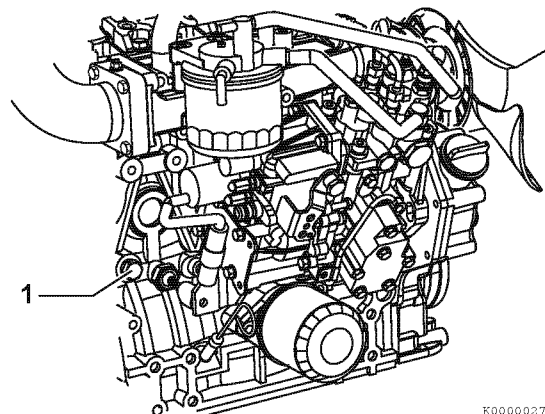
Engine coolant contaminated with rust or water scale reduces the cooling effect. Even when extended life engine coolant is properly mixed, the engine coolant gets contaminated as its ingredients deteriorate. Drain, flush and refill the cooling system with new coolant every 2000 hours or once 2 years, whichever comes first.

1. Allow engine and coolant to cool.
2. Remove the radiator cap (1, **Figure 23**).
3. Remove the drain plug or open the drain cock (2, **Figure 23**) at the bottom of the radiator and drain the engine coolant.



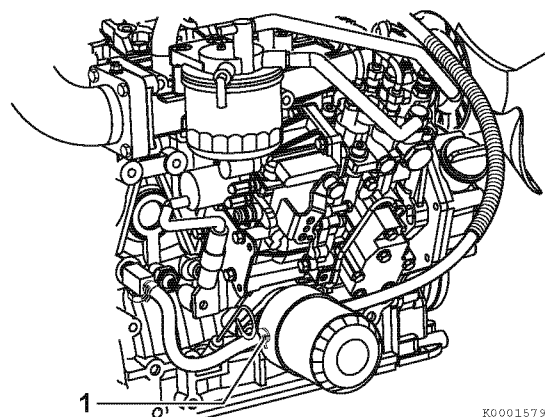
**Figure 23**

4. Drain the coolant from the engine block.
  - On models not equipped with an oil cooler, remove the coolant drain plug (1, **Figure 24**) from the engine block.



**Figure 24**

- On models equipped with an oil cooler, remove the coolant hose (1, **Figure 25**) at the oil cooler.



**Figure 25**

5. After draining the engine coolant, flush the radiator and engine block to remove any rust, scale and contaminants. Then reinstall and tighten the drain plug or close the drain cock in the radiator. Reinstall and tighten the engine block drain plug or reconnect the coolant hose at the oil cooler.
6. Fill radiator and engine with engine coolant. See *Filling Radiator with Engine Coolant* on page 66.

**Every 3000 Hours of Operation**

Perform the following maintenance every 3000 hours of operation.

- **Inspect turbocharger (blower wash as necessary)**  
3TNV84T, 4TNV84T, 4TNV98T, 4TNV106T
- **Inspect, clean and test EGR valve**  
4TNV84T-Z, 4TNV98T-E, 4TNV98-Z, 4TNV98T-Z
- **Inspect and clean EGR lead valve**  
4TNV84T-Z, 4TNV98T-Z

**Inspect turbocharger (blower wash as necessary)**

3TNV84T, 4TNV84T, 4TNV98T, 4TNV106T

Turbocharger service is required by the EPA/ARB every 3000 hours. Your authorized YANMAR industrial engine dealer or distributor will inspect and blower wash the unit if necessary. If you notice that the engine seems sluggish or the exhaust color is abnormal never wait until the next periodic interval. Have your authorized YANMAR industrial engine dealer or distributor service the turbocharger soon.

**Inspect, clean and test EGR valve**

4TNV84T-Z, 4TNV98T-E, 4TNV98-Z, 4TNV98T-Z

The EGR valve is a key component for cleaning exhaust gas.

To prevent the valve from deteriorating in exhaust gas recirculation performance due to carbon accumulation, inspect, clean and test the valve at least every 3000 hours.

Consult your local YANMAR dealer for this service.

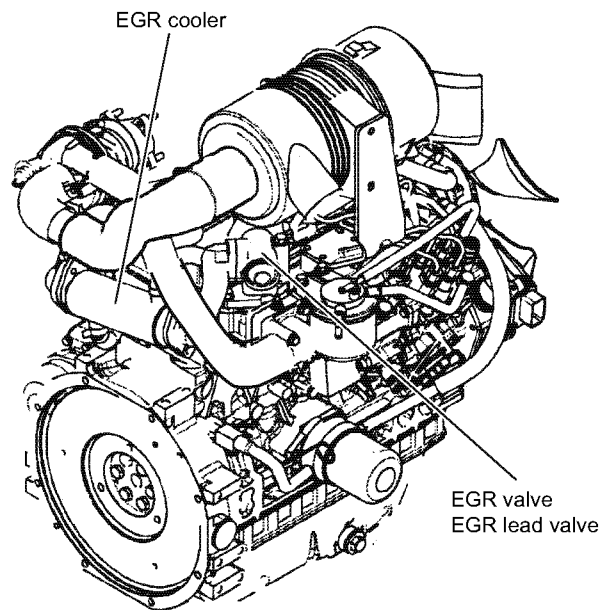
**Inspect and clean EGR lead valve**

4TNV84T-Z, 4TNV98T-Z

The EGR lead valve is located in the passage of recirculated gas.

To prevent carbon accumulation in or clogging of the lead valve, inspect and clean the lead valve at regular intervals.

Consult your local YANMAR dealer for this service.



*Figure 26*

**This Page Intentionally Left Blank**

# TROUBLESHOOTING

---

If a problem occurs, stop the engine immediately. Refer to the SYMPTOM column in the Troubleshooting Chart to identify the problem.

## **NOTICE**

If any indicator fails to illuminate when the key switch is in the ON position, see your authorized YANMAR industrial engine dealer or distributor for service before operating the engine.

If any indicator illuminates during engine operation, stop the engine immediately. Determine the cause and repair the problem before you continue to operate the engine.

---

# TROUBLESHOOTING

## TROUBLESHOOTING CHART

Symptom	Probable cause	Action	Refer to
<b>Indicator turns ON - engine running</b>			
Engine oil pressure indicator	Low level of engine oil	Check and adjust oil level as necessary	Checking Engine Oil on page 63
	Too high an oil level		
	Clogged engine oil filter	Replace engine oil filter	Replace engine oil and engine oil filter (IDI model) on page 90
Engine coolant indicator	Low engine coolant level	Add engine coolant	Filling Radiator with Engine Coolant on page 66
	Dirty radiator fins	Clean the radiator fins	Check and clean radiator fins on page 92
	Engine coolant leaking	See authorized YANMAR industrial engine dealer or distributor	–
	V-belt loose or damaged	Adjust V-belt or replace	Check and adjust cooling fan V-belt on page 84
	Contaminated engine coolant	See authorized YANMAR industrial engine dealer or distributor	–
	Faulty engine coolant pump		–
Battery Indicator	V-belt loose or damaged	Adjust V-belt or replace	Check and adjust cooling fan V-belt on page 84
	Battery failure	Check battery condition	Check battery on page 88
	Faulty alternator	See authorized YANMAR industrial engine dealer or distributor	–
<b>Indicator does not turn ON - key switch is turned to ON (OFF → ON) - engine not running</b>			
	Faulty electrical wiring or faulty indicator	See authorized YANMAR industrial engine dealer or distributor	–
<b>Indicator stays ON - key switch is turned from START to ON (START → ON) - engine not running</b>			
Battery indicator stays ON	Faulty alternator	See authorized YANMAR industrial engine dealer or distributor	–
Engine oil pressure indicator stays ON	Faulty engine oil pressure switch		–
	No or low level of engine oil	Check and adjust oil level as necessary	Checking Engine Oil on page 63
	Clogged engine oil filter	Replace engine oil filter	Replace engine oil and engine oil filter (IDI model) on page 90

Symptom	Probable cause	Action	Refer to
<b>Engine does not start</b>			
Starter motor operates but engine does not start	No diesel fuel	Refuel and prime fuel system	<i>Filling the Fuel Tank on page 60</i>
	Air in fuel system	Prime fuel system	<i>Priming the Fuel System on page 61</i>
	Improper diesel fuel	Replace with recommended diesel fuel	<i>Diesel Fuel Specifications on page 54</i>
	Clogged fuel filter	Replace fuel filter	<i>Replace fuel filter on page 95</i>
	Poor fuel injection	See authorized YANMAR industrial engine dealer or distributor	–
	Compressed air leakage from intake/exhaust valves		–
	Faulty engine stop solenoid		–
Starter motor does not operate or rotates too slowly (engine can be turned manually)	Battery needs charging	Check electrolyte, recharge	<i>Check battery on page 88</i>
	Faulty cable connection at battery terminals	Clean terminals, retighten	–
	Faulty starter switch	See authorized YANMAR industrial engine dealer or distributor	–
	Faulty starter motor		–
Engine cannot be manually turned	Inner parts seized or damaged		–
<b>White or black exhaust smoke</b>			
Black exhaust smoke	Engine overloaded	Reduce load	–
	Clogged air cleaner element	Clean element or replace	<i>Clean air cleaner element on page 94</i>
	Improper diesel fuel	Replace with recommended diesel fuel	<i>Diesel Fuel Specifications on page 54</i>
	Faulty spraying of fuel injection	See authorized YANMAR industrial engine dealer or distributor	–
	Excessive intake/exhaust valve clearance		–
	Faulty EGR valve		–
White exhaust smoke	Improper diesel fuel	Replace with recommended diesel fuel	<i>Diesel Fuel Specifications on page 54</i>
	Faulty spray pattern of fuel injection	See authorized YANMAR industrial engine dealer or distributor	–
	Fuel injection timing delay		–
	Engine burning oil		–

## TROUBLESHOOTING OF ELECTRONIC CONTROL SYSTEM



4TNV84T-Z, 4TNV98-E, 4TNV98-Z, 4TNV98T-Z

### **WARNING**

- Never use the E-ECU for other purposes than intended or in other ways than specified by YANMAR. Doing so could result in the violation of emission control regulations and will void the product warranty.
- Replacing the fuel injection pump involves rewriting the fuel injection data in the E-ECU. Be sure to contact your local YANMAR dealer before replacing the fuel injection pump. Failure to rewrite the fuel injection data before replacing the fuel injection pump will void the engine warranty.
- Replacing the E-ECU involves migrating the fuel injection data to the existing E-ECU to the new unit. Be sure to contact your local YANMAR dealer before replacing the E-ECU. Failure to migrate the fuel injection data before replacing the E-ECU will void the engine warranty.
- Improper use or misuse of the E-ECU may result in death or serious injury due to an abrupt and unexpected increase in engine speed.

### Fault Detection Capability

The E-ECU has a fault detection capability. See *List of Possible Faults of Electronically Controlled Engines* on page 114.

A fault indicator (optional) is located on the operator's console as shown in **Figure 1**.

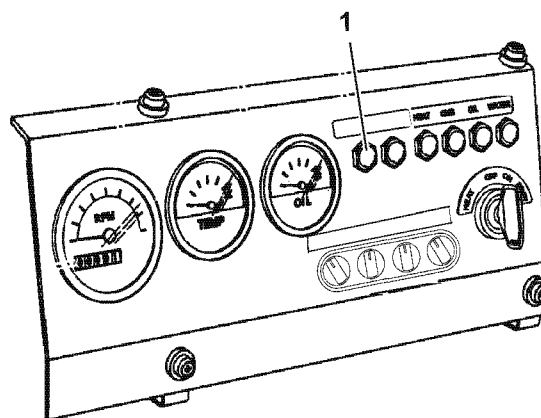
This indicator comes on at power up of the E-ECU and goes out after 2 sec.

Once a fault is detected, then the indicator flashes in certain patterns, providing fault information to the operator.

### **NOTICE**

Shut down the engine if the fault indicator comes on.

Continuing running the engine with the fault indicator being on may result in a serious malfunction of or damage to the engine, and will void the engine warranty.



1 – Fault indicator

**Figure 1**

**Figure 1** Typical operator's console

Figure 2 exemplifies flashing patterns that represent an accelerator fault (5 flashes) or EGR valve fault (1 to 3 flashes) occurring at power up. If multiple faults occur simultaneously, the indicator indicates all the faults in order of smaller to larger number of flashes.

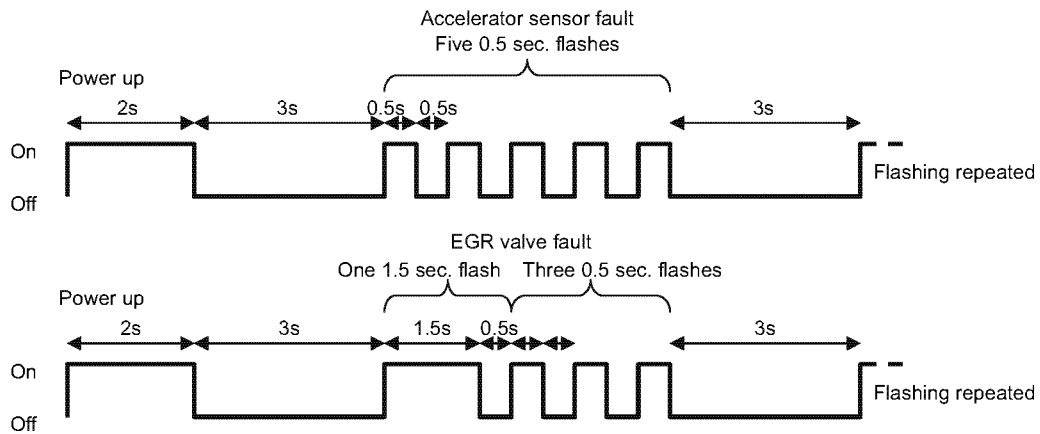


Figure 2

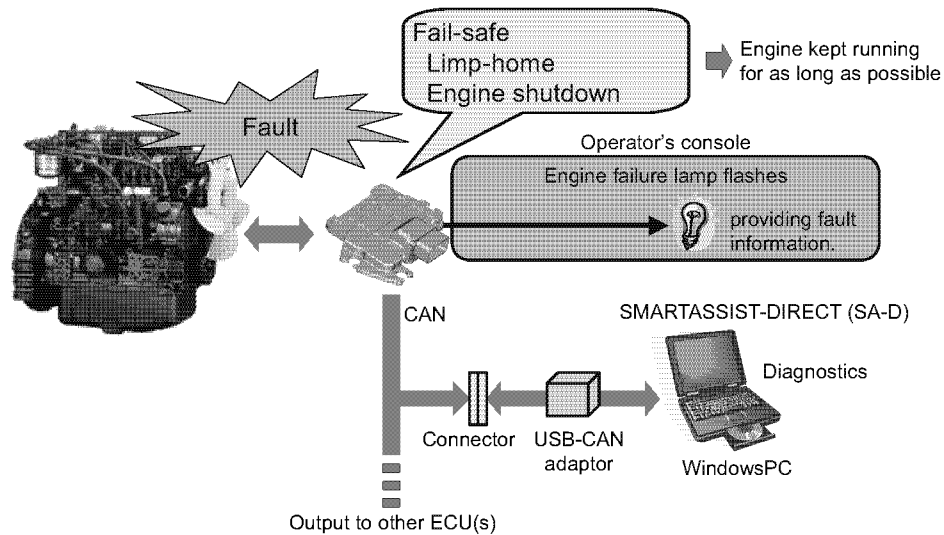


Figure 3

**NOTICE**

If the fault indicator comes on, check and note the flashing pattern, shut down the engine without delay and contact your local YANMAR dealer.

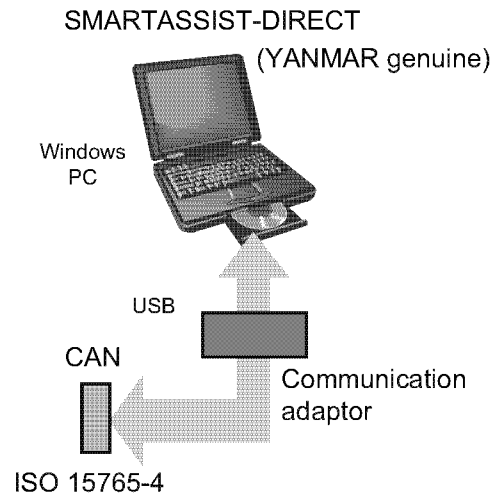
The YANMAR genuine diagnosis tool allows reviewing detailed fault information, historical fault/alarm logs and freeze frame data, monitoring the engine status and carrying out the fault diagnosis. See Figure 3. Events in the fault/alarm logs can be time stamped.

## Diagnosis Tool

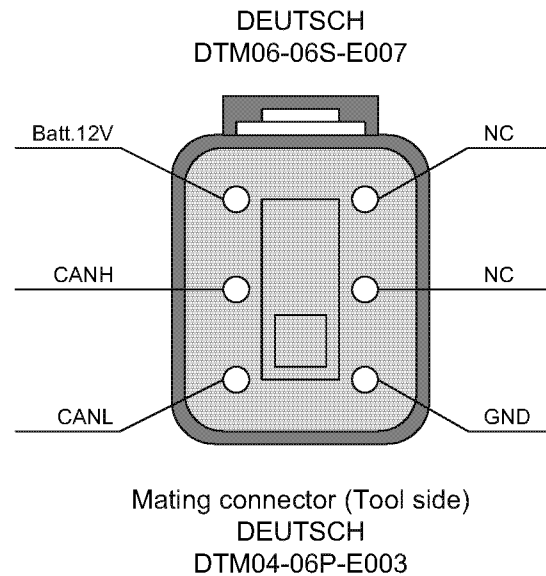
A connector is provided at an end of the harness of the driven machine so that the YANMAR genuine diagnosis tool can be loaded with data from the E-ECU. See **Figure 4** and **Figure 5**.

When the fuel injection pump is replaced, data in the E-ECU must also be replaced for accommodating the new pump. When the E-ECU is replaced, the fuel injection data in the existing unit must be migrated to the new unit. The diagnosis tool can be used for the data replacement or migration. Contact your local YANMAR dealer for replacement of the fuel injection pump or E-ECU.

For operation of the diagnosis tool, see the manual for the tool.



**Figure 4**



**Figure 5**

## **TROUBLESHOOTING INFORMATION**

If your engine does not operate properly, refer to the troubleshooting chart or consult your authorized YANMAR industrial engine dealer or distributor.

Supply the authorized YANMAR industrial engine dealer or distributor with the following information:

- Model name and serial number of your engine
- The driven machine type (tractor, generator, skid steer loader), manufacturer's name, model and serial number
- How long the engine has been in service (the number of engine hours or the number of calendar months)
- Operating conditions when problem occurs:
  - Engine speed
  - Color of exhaust smoke
  - Type of diesel fuel
  - Type of engine oil
  - Flashing patterns of indicators (when an electronically controlled engine and the fault indicator are used)
  - Any abnormal noises or vibration
  - Operating environment such as high altitude or extreme ambient temperatures, etc.
- Engine maintenance history and previous problems
- Other factors that contribute to the problem

## TROUBLESHOOTING

# LIST OF POSSIBLE FAULTS OF ELECTRONICALLY CONTROLLED ENGINES



4TNV84T-Z, 4TNV98-E, 4TNV98-Z, 4TNV98T-Z

No.	Fault (alarm) location	Fault/alarm condition	Engine status	Reset condition	Availability of detection features	No. of flashes/flash pattern of fault indicator
1	Coolant temperature sensor	Sensor voltage is over 4.8 V or under 0.2 V	Continues to run at a coolant temperature of 30 °C	Voltage returns to normal	Standard	4
2	Accelerator sensor	Sensor voltage is over 4.8 V or under 0.2 V	Continues to run at 1500 min <sup>-1</sup> (rpm)	Voltage returns to normal	Default	5
3	Speed sensor	Engine start switch (E8) is on, but engine speed is zero Engine speed momentarily decreased to lower than specified lower limit	Is shut down. (when optional auxiliary speed sensor is equipped: Auxiliary speed sensor works in place of faulty speed sensor and engine continues to run at up to 1800 min <sup>-1</sup> (rpm). If auxiliary sensor also fails, engine is shut down.)	Key switch is turned to OFF	Standard	6
4	Rack position sensor	Rack position relative to rack actuator is without specified limits	Continues to run without rack position sensing at up to 150 % of low idling speed or 80 % of high idling speed, whichever is lower	Key switch is turned to OFF	Standard	7
5	Rack actuator	Rack actuator output is without specified limits Engine accelerates even though rack actuator output is minimized Engine stalls while rack position sensor fails	Is shut down	Key switch is turned to OFF	Standard	8
6	EGR valve	LOW status was detected even though port was off HIGH status was detected even though port was on	Continues to run at up to 92 % of rated power output and up to 1800 min <sup>-1</sup> (rpm)	Key switch is turned to OFF	Default	1-3
7	CSD solenoid valve	LOW status was detected even though port was on HIGH status was detected even though port was off	Continues to run while CSD feature is canceled	Key switch is turned to OFF	Standard	1-4
8	Starting aid relay	LOW status was detected even though port was off HIGH status was detected even though port was on	Continues to run while starting aid relay is off	Key switch is turned to OFF	Optional	1-5

No.	Fault (alarm) location	Fault/alarm condition	Engine status	Reset condition	Availability of detection features	No. of flashes/flashing pattern of fault indicator
9	Main relay	Power cannot be turned off even though main relay is off	Continues to run normally	Relay returns to normal. This fault will persist even if key switch is turned to OFF.	Default	1-6
10	Rack actuator relay	LOW status was detected even though port was off	Is shut down	Key switch is turned to OFF	Standard	1-7
		HIGH status was detected even though port was on				
11	Oil pressure switch	Oil pressure switch is not turned on while engine is stopped	Continues to run normally (other option can be selected)	Key switch is turned to OFF	Optional	2-1
12	Power supply voltage	An ECU supply voltage of under 10.0 V was detected	Continues to run normally	Voltage returns to normal	Standard	2-3
		An ECU supply voltage of over 16.0 V was detected				
13	ECU temperature (alarm)	ECU temperature is over 105 °C	Continues to run normally (other option can be selected)	Temperature returns to normal; under 100 °C (other optional setting is allowed)	Optional	2-5
14	Oil pressure	Oil pressure switch is not turned off while engine is running	Continues to run normally (other option can be selected)	Pressure returns to normal	Optional	3-1
15	Battery charge (alarm)	Battery changing switch is not turned off while engine is running	Continues to run normally	Key switch is turned to OFF	Optional	3-2
16	Battery charging switch	Battery changing switch is not turned off while engine is running	Continues to run normally	Key switch is turned to OFF	Optional	2-2
17	Coolant temperature (alarm)	Coolant temperature is over 110 °C	Continues to run normally (other option can be selected)	Temperature returns to normal; under 105 °C (other optional setting is allowed)	Standard	3-6

## TROUBLESHOOTING

No.	Fault (alarm) location	Fault/alarm condition	Engine status	Reset condition	Availability of detection features	No. of flashes/flashi ng pattern of fault indicator
18	ECU-ROM	Flash ROM checksum error occurred	Is shut down	Key switch is turned to OFF	Standard	4-1
19	ECU-EEPROM	Reading/writing error occurred	Continues to run normally			
		Checksum error occurred				
21	ECU-sub CPU	Communication with sub microcomputer failed	Continues to run normally			
22	ECU-mapping format	Mapping format is invalid	Is shut down			
23	ECU-temperature sensor	Sensor voltage is over 4.6 V or under 1.0 V	Continues to run normally	Temperature returns to normal		

# LONG-TERM STORAGE

---

This section of the *Operation Manual* describes the procedures necessary to place the engine into long-term storage (six months or longer) and how to place it back into operation.

### BEFORE YOU PLACE THE ENGINE IN LONG-TERM STORAGE

#### DANGER

##### **Explosion Hazard!**



- Never short out the battery terminals, including when checking the remaining battery charge. This will result in a spark and may cause an explosion or fire. Use a hydrometer to check the remaining battery charge.
- If the electrolyte is frozen, slowly warm the battery before you recharge it.
- Failure to comply will result in death or serious injury.

#### WARNING

##### **Burn Hazard!**



- Batteries contain sulfuric acid. Never allow battery fluid to come in contact with clothing, skin or eyes. Severe burns could result. Always wear safety goggles and protective clothing when servicing the battery. If battery fluid contacts the eyes and/or skin, immediately flush the affected area with a large amount of clean water and obtain prompt medical treatment.
- Failure to comply could result in death or serious injury.

#### CAUTION

##### **Flying Object Hazard!**



- Always wear eye protection when servicing the engine and when using compressed air or high-pressure water. Dust, flying debris, compressed air, pressurized water or steam may injure your eyes.
- Failure to comply may result in minor or moderate injury.

#### NOTICE

Put a cover to protect the air cleaner, turbocharger (if equipped) and electric components from damage when you use steam or high-pressure water to clean the engine.

Perform the next Preventive Maintenance procedure. For example, if there are 10 hours remaining before the 250 hour maintenance, you should do the maintenance before you place the engine in storage.

See *Periodic Maintenance Schedule* on page 82.

1. Flush the radiator and refill with Long Life Engine Coolant. See *Engine Coolant Specifications* on page 66 for engine coolant specifications and See *Filling Radiator with Engine Coolant* on page 66 for the procedure for draining and refilling the cooling system.
2. Clean the exterior of the engine so it is free of grease and oil.
3. Drain the fuel tank or make sure it is completely full. See *Filling the Fuel Tank* on page 60.
4. Lubricate exposed parts of the engine speed control system.
5. Protect the air cleaner, muffler and electrical components (alternator, starter motor, switches, EGR valve, controller) from water and dust.
6. Disconnect the negative (-) battery cable to prevent the battery from discharging.
7. Check the battery fluid and add distilled water as required. See *Check battery* on page 88.
8. Charge the battery once a month during storage.
9. Rotate the engine without starting, every four to six months.

---

## RETURNING THE ENGINE TO SERVICE

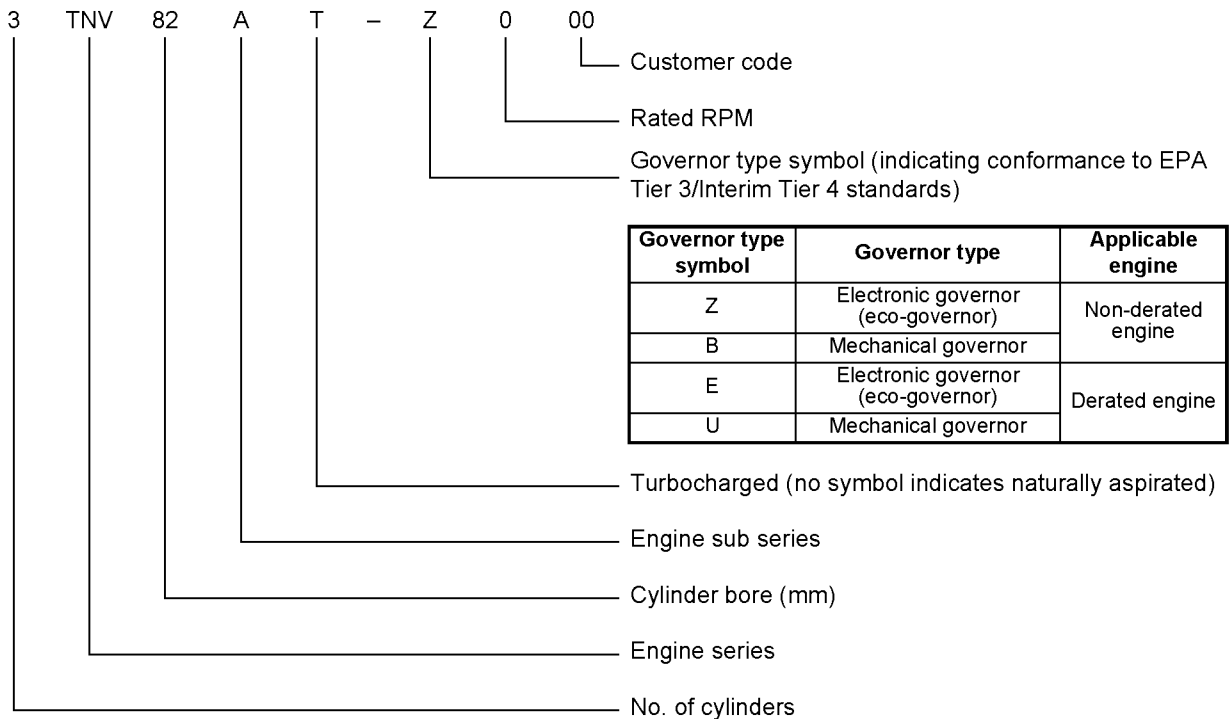
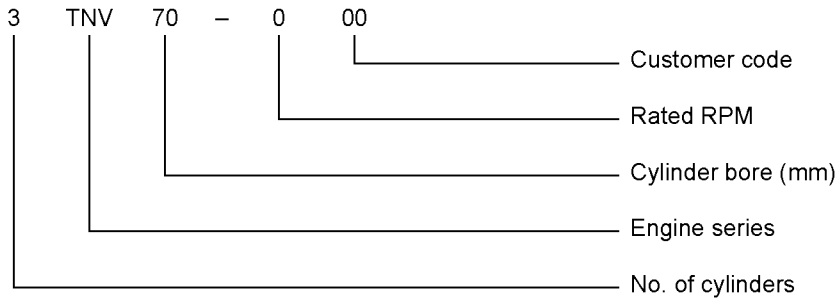
1. Perform the *Daily Checks* on page 68.
2. The engine should be pre-oiled before startup. Crank the engine, leaving the fuel system shut off so the engine will not start, for 15 seconds. Then pause for 30 seconds. Repeat the procedure until you have cranked the engine for a total of one minute. This will circulate the oil in the engine's lubrication system.
3. Prime the fuel system. See *Priming the Fuel System* on page 61.
4. Start the engine. Allow the engine to idle for approximately 15 minutes while you check for:
  - Proper oil pressure
  - Fuel, engine oil, or coolant leaks
  - Proper operation of the indicators and/or gauges
5. Avoid prolonged operation at minimum or maximum engine speeds and loads for the remainder of the first hour of operation.

**This Page Intentionally Left Blank**

# SPECIFICATIONS

## GENERAL

### Description of Model Number



## SPECIFICATIONS

### Engine Speed Specifications

Notation	Available engine speed	Intended uses
VH	3200 - 3600 min <sup>-1</sup> (rpm)	Lawn mower, construction, industrial machine
VM	2000 - 3000 min <sup>-1</sup> (rpm)	Agricultural, construction, industrial machines
CH	3000 - 3600 min <sup>-1</sup> (rpm)	2-pole generator sets, irrigation pumps
CL	1500 or 1800 min <sup>-1</sup> (rpm)	4-pole generator sets, irrigation pumps

VH: Variable high speed  
VM: Variable medium speed

CH: Constant high speed  
CL: Constant low speed

### Engine General Specifications

Type	Vertical in-line, water cooled, 4-cycle diesel engine	
Combustion system	Direct injection models	Direct injection
	Indirect injection models	Swirl chamber (ball-type)
Starting system	Electric starting	
Cooling system	Radiator	
Lubricating system	Forced lubrication with trochoid pump	
PTO position	Flywheel end	
Direction of rotation	Counterclockwise viewed from flywheel end	

Note:

- The information described in *Principal Engine Specifications* is for a “standard” engine. To obtain the information for the engine installed in your driven machine, please refer to the manual provided by the driven machine manufacturer.
- Engine rating conditions are as follows (SAE J1349, ISO 3046/1):
  - Atmospheric condition: Room temperature 25 °C (77 °F), atmospheric pressure 29.53 in. Hg (100 kPa, 750 mmHg), relative humidity 30 %
  - Fuel temperature at fuel injector pump inlet: 40 °C (104 °F)
  - Fuel feeding pressure: 20 ± 10 kPa (net) after engine break-in has been performed with the cooling fan, air cleaner and muffler installed to the engine.
  - With cooling fan, air cleaner, muffler: YANMAR standard
  - After the engine break-in period. Output allowable deviation: ±3 %
  - 1 PS = 0.7355 kW
  - 1 hp SAE (Society of Automotive Engineers) = 0.7457 kW

PRINCIPAL ENGINE SPECIFICATIONS



2TNV70 (~ EPA Tier 4)

Engine model		2TNV70											
Version		VM					CH			VH			
Type	Vertical in-line 4-cycle diesel engine												
Combustion system	Ball-type swirl chamber												
Aspiration	Natural												
No. of cylinders	2												
Bore × stroke	ø70 × 74 mm												
Displacement	0.570 L												
Continuous rated output	min <sup>-1</sup>							3000	3600				
	kW							8.16	9.76				
	PS							11.1	13.3				
Max. rated output (net)	min <sup>-1</sup>	2000	2200	2400	2600	2800	3000	3000	3600	3200	3400	3600	
	kW	5.96	6.62	7.28	7.87	8.53	9.12	8.97	10.7	9.34	9.78	10.3	
	PS	8.10	9.00	9.90	10.7	11.6	12.4	12.2	14.6	12.7	13.3	14.0	
High idling	min <sup>-1</sup>	2160 ± 25	2375 ± 25	2570 ± 25	2780 ± 25	2995 ± 25	3210 ± 25	3165 ± 25	3800 ± 25	3400 ± 25	3600 ± 25	3815 ± 25	
Engine weight (dry) with flywheel housing* <sup>1</sup>	84 kg												
PTO position	Flywheel end												
Direction of rotation	Counterclockwise viewed from flywheel end												
Cooling system	Liquid-cooled with radiator												
Lubricating system	Forced lubrication with trochoid pump												
Normal oil pressure at rated engine speed	0.29 - 0.44 MPa												
Normal oil pressure at low idle speed	0.06 MPa												
Starting system	Electric starting - starter motor: DC 12 V, 1.0 kW* <sup>3</sup>												
	Dynamo: DC 12 V, 20 A* <sup>3</sup>												
	Recommended battery capacity: 12 V, 36 Ah (5 h rating)* <sup>3</sup>												
Dimensions (L × W × H)* <sup>1</sup>	415 × 427 × 484 mm						415 × 427 × 504 mm			415 × 427 × 484 mm			
Engine oil pan capacity* <sup>2</sup>	1.8/1.2 L (dipstick upper limit/lower limit)						2.4/1.2 L (dipstick upper limit/lower limit)			1.8/1.2 L (dipstick upper limit/lower limit)			
Engine coolant capacity	0.6 L engine only												
Standard cooling fan	260 mm O.D., 5 blade pusher-type* <sup>3</sup>												
Crank V-pulley dia./ fan V-pulley dia.	ø110/ø110 mm* <sup>3</sup>												
Top clearance	0.768 ± 0.072 mm												

\*1: Engine specifications without radiator.

\*2: Engine oil capacity for a "Deep Standard" oil pan. Refer to the operation manual provided by the driven machine manufacturer for the actual engine oil capacity of your machine.

\*3: May vary depending on application.

# SPECIFICATIONS



## 3TNV70 (~ EPA Tier 4)

Engine model		3TNV70													
Version		CL		VM						CH		VH			
Type		Vertical in-line 4-cycle diesel engine													
Combustion system		Ball-type swirl chamber													
Aspiration		Natural													
No. of cylinders		3													
Bore × stroke		ø70 × 74 mm													
Displacement		0.854 L													
Continuous rated output	min <sup>-1</sup>	1500	1800							3000	3600				
	kW	6.09	7.29							8.16	9.76				
	PS	8.27	9.91							16.5	19.7				
Max. rated output (net)	min <sup>-1</sup>	1500	1800	2000	2200	2400	2600	2800	3000	3000	3600	3200	3400	3600	
	kW	6.69	8.02	8.97	9.93	11.0	11.8	12.8	13.7	13.3	16.0	14.0	14.7	15.4	
	PS	9.10	10.9	12.2	13.5	14.9	16.1	17.4	18.6	18.1	21.7	19.0	20.0	21.0	
High idling	min <sup>-1</sup>	1600 ± 25	1895 ± 25	2160 ± 25	2375 ± 25	2570 ± 25	2780 ± 25	2995 ± 25	3210 ± 25	3165 ± 25	3800 ± 25	3400 ± 25	3600 ± 25	3815 ± 25	
Engine weight (dry) with flywheel housing*1		98 kg													
PTO position		Flywheel end													
Direction of rotation		Counterclockwise viewed from flywheel end													
Cooling system		Liquid-cooled with radiator													
Lubricating system		Forced lubrication with trochoid pump													
Normal oil pressure at rated engine speed		0.24 - 0.35 MPa		0.29 - 0.44 MPa											
Normal oil pressure at low idle speed		0.06 MPa													
Starting system		Electric starting - starter motor: DC 12 V, 1.0 kW*3													
		Dynamo: DC 12 V, 20 A*3													
		Recommended battery capacity: 12 V, 36 Ah (5 h rating)*3													
Dimensions (L × W × H)*1		548 × 427 × 506 mm		504 × 427 × 506 mm						504 × 427 × 536 mm		504 × 427 × 506 mm			
Engine oil pan capacity*2		2.8/1.5 L (dipstick upper limit/lower limit)						3.8/2.1 L (dipstick upper limit/lower limit)		2.8/1.5 L (dipstick upper limit/lower limit)					
Engine coolant capacity		0.9 L engine only													
Standard cooling fan		310 mm O.D., 5 blade pusher-type*3													
Crank V-pulley dia./ fan V-pulley dia.		ø110/ø100 mm*3													
Top clearance		0.768 ± 0.072 mm													

\*1: Engine specifications without radiator.

\*2: Engine oil capacity for a "Deep Standard" oil pan. Refer to the operation manual provided by the driven machine manufacturer for the actual engine oil capacity of your machine.

\*3: May vary depending on application.



**3TNV76 (~ EPA Tier 4)**

Engine model		3TNV76														
Version		CL			VM						CH		VH			
Type		Vertical in-line 4-cycle diesel engine														
Combustion system		Ball-type swirl chamber														
Aspiration		Natural														
No. of cylinders		3														
Bore × stroke		ø76 × 82 mm														
Displacement		1.116 L														
Continuous rated output	min <sup>-1</sup>	1500	1800							3000	3600					
	kW	8.2	9.8							15.1	17.7					
	PS	11.1	13.3							20.5	24.1					
Max. rated output (net)	min <sup>-1</sup>	1500	1800	2000	2200	2400	2500	2600	2800	3000	3000	3600	3200	3400	3600	
	kW	9	10.7	11.8	13.2	14.3	14.9	15.5	16.7	17.9	16.5	19.5	18.2	19.3	19.5	
	PS	12.2	14.5	16.1	17.9	19.5	20.3	21.1	22.7	24.3	22.4	26.5	24.7	26.2	26.5	
High idling	min <sup>-1</sup>	1600 ± 25	1900± 25	2160± 25	2375± 25	2570± 25	2675± 25	2780± 25	2995± 25	3210± 25	3200± 25	3800± 25	3400± 25	3600± 25	3815± 25	
Engine weight (dry) with flywheel housing*1		112 kg														
PTO position		Flywheel end														
Direction of rotation		Counterclockwise viewed from flywheel end														
Cooling system		Liquid-cooled with radiator														
Lubricating system		Forced lubrication with trochoid pump														
Normal oil pressure at rated engine speed		0.24 - 0.35 MPa			0.29 - 0.44 MPa											
Normal oil pressure at low idle speed		0.06 MPa														
Starting system		Electric starting (starter motor: DC 12 V - 1.1 kW)*3														
		Alternator: DC 12 V, 40 A*3														
		Recommended battery capacity: 12 V, 36 Ah (5 h rating)*3														
Dimensions (L × W × H)*1		567 × 427 × 532 mm			523 × 427 × 532 mm						523 × 427 × 559 mm		523 × 427 × 532 mm			
Engine oil pan capacity*2		3.4/1.8 L (dipstick upper limit/lower limit)														
Engine coolant capacity		0.9 L engine only														
Standard cooling fan		335 mm O.D., 6 blade pusher-type*3														
Crank V-pulley dia. / fan V-pulley dia.		ø110/ø100 mm*3														
Top clearance		0.819 ± 0.072 mm														

\*1: Engine specifications without radiator.

\*2: Engine oil capacity for a "Deep Standard" oil pan. Refer to the operation manual provided by the driven machine manufacturer for the actual engine oil capacity of your machine.

\*3: May vary depending on application.

# SPECIFICATIONS



## 3TNV82A (~ EPA Tier 2)

Engine model		3TNV82A							
Version		CL			VM				
Type	Vertical in-line 4-cycle diesel engine								
Combustion system	Direct injection								
Aspiration	Natural								
No. of cylinders	3								
Bore × stroke	ø82 × 84 mm								
Displacement	1.331 L								
Continuous rated output	min <sup>-1</sup>	1500	1800						
	kW	9.9	12.0						
	PS	13.5	16.3						
Max. rated output (net)	min <sup>-1</sup>	1500	1800	2000	2200	2400	2600	2800	3000
	kW	11.0	13.2	14.6	16.0	17.5	19.0	20.4	21.9
	PS	14.9	17.9	19.9	21.8	23.8	25.8	27.8	29.8
High idling	min <sup>-1</sup>	1600 ± 25	1895 ± 25	2180 ± 25	2375 ± 25	2570 ± 25	2780 ± 25	2995 ± 25	3180 ± 25
Engine weight (dry) with flywheel housing*1		138 kg			128 kg				
PTO position	Flywheel end								
Direction of rotation	Counterclockwise viewed from flywheel end								
Cooling system	Liquid-cooled with radiator								
Lubricating system	Forced lubrication with trochoid pump								
Normal oil pressure at rated engine speed	0.34 - 0.49 MPa						0.39 - 0.54 MPa		
Normal oil pressure at low idle speed	0.06 MPa								
Starting system	Electric starting (starter motor: DC 12 V - 1.2 kW)*3								
	Alternator: DC 12 V, 40 A*3								
	Recommended battery capacity: 12 V, 55 Ah (5 h rating)*3								
Dimensions (L × W × H)*1	553 × 489 × 565 mm			528 × 489 × 565 mm					
Engine oil pan capacity*2	5.5/3.6 L (dipstick upper limit/lower limit)								
Engine coolant capacity	1.8 L engine only								
Standard cooling fan	335 mm O.D., 6 blade pusher-type*3								
Crank V-pulley dia./ fan V-pulley dia.	ø120/ø90 mm*3			ø110/ø110 mm*3					
Top clearance	0.64 ± 0.06 mm								

\*1: Engine specifications without radiator.

\*2: Engine oil capacity for a "Deep Standard" oil pan. Refer to the operation manual provided by the driven machine manufacturer for the actual engine oil capacity of your machine.

\*3: May vary depending on application.



3TNV84 (~ EPA Tier 2)

Engine model		3TNV84							
Version		CL			VM				
Type	Vertical in-line 4-cycle diesel engine								
Combustion system	Direct injection								
Aspiration	Natural								
No. of cylinders	3								
Bore × stroke	ø84 × 90 mm								
Displacement	1.496 L								
Continuous rated output	min <sup>-1</sup>	1500	1800						
	kW	11.3	13.5						
	PS	15.3	18.3						
Max. rated output (net)	min <sup>-1</sup>	1500	1800	2000	2200	2400	2600	2800	3000
	kW	12.4	14.8	16.4	18.1	19.7	21.3	23.0	24.6
	PS	16.8	20.1	22.3	24.6	26.8	29.0	31.3	33.5
High idling	min <sup>-1</sup>	1600 ± 25	1895 ± 25	2180 ± 25	2400 ± 25	2590 ± 25	2810 ± 25	2995 ± 25	3210 ± 25
Engine weight (dry) with flywheel housing*1		161 kg			155 kg				
PTO position	Flywheel end								
Direction of rotation	Counterclockwise viewed from flywheel end								
Cooling system	Liquid-cooled with radiator								
Lubricating system	Forced lubrication with trochoid pump								
Normal oil pressure at rated engine speed		0.34 - 0.49 MPa			0.39 - 0.54 MPa				
Normal oil pressure at low idle speed	0.06 MPa								
Starting system	Electric starting (starter motor: DC 12 V - 1.2 kW)*3								
	Alternator: DC 12 V, 40 A*3								
	Recommended Battery Capacity: 12 V, 55 Ah (5h rating)*3								
Dimensions (L × W × H)*1		589 × 486 × 622 mm			564 × 486 × 622 mm				
Engine oil pan capacity*2	6.7/3.9 L (dipstick upper limit/lower limit)								
Engine coolant capacity	2.0 L engine only								
Standard cooling fan	335 mm O.D., 6 blade pusher-type*3								
Crank V-pulley dia./ fan V-pulley dia.		ø120/ø90 mm*3			ø110/ø110 mm*3				
Top clearance	0.72 ± 0.06 mm								

\*1: Engine specifications without radiator.

\*2: Engine oil capacity for a "Deep Standard" oil pan. Refer to the operation manual provided by the driven machine manufacturer for the actual engine oil capacity of your machine.

\*3: May vary depending on application.

# SPECIFICATIONS



## 3TNV84T (~ EPA Tier 2)

Engine model		3TNV84T					
Version		CL			VM		
Type	Vertical in-line 4-cycle diesel engine						
Combustion system	Direct injection						
Aspiration	Turbocharged						
No. of cylinders	3						
Bore × stroke	ø84 × 90 mm						
Displacement	1.496 L						
Continuous rated output	min <sup>-1</sup>	1500	1800				
	kW	14.0	16.5				
	PS	19.0	22.5				
Max. rated output (net)	min <sup>-1</sup>	1500	1800	2400	2600	2800	3000
	kW	15.8	18.8	25.0	26.8	29.1	30.9
	PS	21.5	25.5	34.0	36.5	39.5	42.0
High idling	min <sup>-1</sup>	1600 ± 25	1895 ± 25	2590 ± 25	2810 ± 25	2995 ± 25	3210 ± 25
Engine weight (dry) with flywheel housing*1		161 kg			155 kg		
PTO position	Flywheel end						
Direction of rotation	Counterclockwise viewed from flywheel end						
Cooling system	Liquid-cooled with radiator						
Lubricating system	Forced lubrication with trochoid pump						
Normal oil pressure at rated engine speed		0.29 - 0.44 MPa		0.34 - 0.49 MPa		0.39 - 0.54 MPa	
Normal oil pressure at low idle speed	0.06 MPa						
Starting system	Electric starting (starter motor: DC 12 V - 1.2 kW)*3						
	Alternator: DC 12 V, 40 A*3						
	Recommended battery capacity: 12 V, 55 Ah (5 h rating)*3						
Dimensions (L × W × H)*1		589 × 486 × 622 mm			564 × 486 × 622 mm		
Engine oil pan capacity*2	6.7/3.9 L (dipstick upper limit/lower limit)						
Engine coolant capacity	2.0 L engine only						
Standard cooling fan	350 mm O.D., 6 blade pusher-type*3						
Crank V-pulley dia./ fan V-pulley dia.		ø120/ø90 mm*3			ø110/ø110 mm*3		
Top clearance	0.72 ± 0.06 mm						

\*1: Engine specifications without radiator.

\*2: Engine oil capacity for a "Deep Standard" oil pan. Refer to the operation manual provided by the driven machine manufacturer for the actual engine oil capacity of your machine.

\*3: May vary depending on application.



**3TNV88 (~ EPA Tier 2)**

Engine model		3TNV88							
Version		CL			VM				
Type	Vertical in-line 4-cycle diesel engine								
Combustion system	Direct injection								
Aspiration	Natural								
No. of cylinders	3								
Bore × stroke	ø88 × 90 mm								
Displacement	1.642 L								
Continuous rated output	min <sup>-1</sup>	1500	1800						
	kW	12.3	14.8						
	PS	16.7	20.1						
Max. rated output (net)	min <sup>-1</sup>	1500	1800	2000	2200	2400	2600	2800	3000
	kW	13.5	16.3	18.0	19.9	21.6	23.5	25.2	27.1
	PS	18.4	22.1	24.5	27.0	29.4	31.9	34.2	36.8
High idling	min <sup>-1</sup>	1600 ± 25	1895 ± 25	2180 ± 25	2400 ± 25	2590 ± 25	2810 ± 25	2995 ± 25	3210 ± 25
Engine weight (dry) with flywheel housing*1		161 kg			155 kg				
PTO position	Flywheel end								
Direction of rotation	Counterclockwise viewed from flywheel end								
Cooling system	Liquid-cooled with radiator								
Lubricating system	Forced lubrication with trochoid pump								
Normal oil pressure at rated engine speed		0.34 - 0.49 MPa			0.39 - 0.54 MPa				
Normal oil pressure at low idle speed	0.06 MPa								
Starting system	Electric starting (starter motor: DC 12 V - 1.2 kW)*3								
	Alternator: DC 12 V, 40 A*3								
	Recommended battery capacity: 12 V, 55 Ah (5 h rating)*3								
Dimensions (L × W × H)*1		589 × 486 × 622 mm			564 × 486 × 622 mm				
Engine oil pan capacity*2	6.7/3.9 L (dipstick upper limit/lower limit)								
Engine coolant capacity	2.0 L engine only								
Standard cooling fan	335 mm O.D., 6 blade pusher-type*3								
Crank V-pulley dia./ fan V-pulley dia.		ø120/ø90 mm*3			ø110/ø110 mm*3				
Top clearance	0.73 ± 0.06 mm								

\*1: Engine specifications without radiator.

\*2: Engine oil capacity for a "Deep Standard" oil pan. Refer to the operation manual provided by the driven machine manufacturer for the actual engine oil capacity of your machine.

\*3: May vary depending on application.

# SPECIFICATIONS



## 4TNV84 (~ EPA Tier 2)

Engine model		4TNV84							
Version		CL			VM				
Type	Vertical in-line 4-cycle diesel engine								
Combustion system	Direct injection								
Aspiration	Natural								
No. of cylinders	4								
Bore × stroke	ø84 × 90 mm								
Displacement	1.995 L								
Continuous rated output	min <sup>-1</sup>	1500	1800						
	kW	14.9	17.7						
	PS	20.3	24.1						
Max. rated output (net)	min <sup>-1</sup>	1500	1800	2000	2200	2400	2600	2800	3000
	kW	16.4	19.5	21.9	24.1	26.3	28.5	30.7	32.9
	PS	22.3	26.5	29.8	32.8	35.8	38.7	41.7	44.7
High idling	min <sup>-1</sup>	1600 ± 25	1895 ± 25	2180 ± 25	2400 ± 25	2590 ± 25	2810 ± 25	2995 ± 25	3210 ± 25
Engine weight (dry) with flywheel housing*1		183 kg			170k g				
PTO position	Flywheel end								
Direction of rotation	Counterclockwise viewed from flywheel end								
Cooling system	Liquid-cooled with radiator								
Lubricating system	Forced lubrication with trochoid pump								
Normal oil pressure at rated engine speed		0.34 - 0.49 MPa			0.39 - 0.54 MPa				
Normal oil pressure at low idle speed	0.06 MPa								
Starting system	Electric starting (starter motor: DC 12 V - 1.4 kW)*3								
	Alternator: DC 12 V, 40 A*3								
	Recommended battery capacity: 12 V, 64 Ah (5 h rating)*3								
Dimensions (L × W × H)*1		683 × 498.5 × 617 mm			658 × 498.5 × 617 mm				
Engine oil pan capacity*2	7.4/4.0 L (dipstick upper limit/lower limit)								
Engine coolant capacity	2.7 L engine only								
Standard cooling fan	370 mm O.D., 6 blade pusher-type*3								
Crank V-pulley dia./ fan V-pulley dia.		ø120/ø90 mm*3			ø110/ø110 mm*3				
Top clearance	0.72 ± 0.06 mm								

\*1: Engine specifications without radiator.

\*2: Engine oil capacity for a "Deep Standard" oil pan. Refer to the operation manual provided by the driven machine manufacturer for the actual engine oil capacity of your machine.

\*3: May vary depending on application.



**4TNV84T (~ EPA Tier 2)**

Engine model		4TNV84T							
Version		CL			VM				
Type	Vertical in-line 4-cycle diesel engine								
Combustion system	Direct injection								
Aspiration	Turbocharged								
No. of cylinders	4								
Bore × stroke	ø84 × 90 mm								
Displacement	1.995 L								
Continuous rated output	min <sup>-1</sup>	1500	1800						
	kW	19.1	24.3						
	PS	26.0	33.0						
Max. rated output (net)	min <sup>-1</sup>	1500	1800	2000	2200	2400	2600	2800	3000
	kW	21.3	26.9	27.9	30.5	33.5	35.7	38.6	41.2
	PS	29.0	36.5	38.0	41.5	45.5	48.5	52.5	56.0
High idling	min <sup>-1</sup>	1600 ± 25	1895 ± 25	2180 ± 25	2400 ± 25	2590 ± 25	2810 ± 25	2995 ± 25	3210 ± 25
Engine weight (dry) with flywheel housing*1		183 kg			170 kg				
PTO position	Flywheel end								
Direction of rotation	Counterclockwise viewed from flywheel end								
Cooling system	Liquid-cooled with radiator								
Lubricating system	Forced lubrication with trochoid pump								
Normal oil pressure at rated engine speed		0.29 - 0.44 MPa			0.36 - 0.5 MPa				
Normal oil pressure at low idle speed	0.06 MPa								
Starting system	Electric starting (starter motor: DC 12 V - 1.4 kW)*3								
	Alternator: DC 12 V, 40 A*3								
	Recommended battery capacity: 12 V, 64 Ah (5 h rating)*3								
Dimensions (L × W × H)*1	683 × 498.5 × 713 mm			649 × 498.5 × 713 mm					
Engine oil pan capacity*2	7.4/4.0 L (dipstick upper limit/lower limit)								
Engine coolant capacity	2.7 L engine only								
Standard cooling fan	370 mm O.D., 6 blade pusher-type*3								
Crank V-pulley dia./ fan V-pulley dia.		ø120/ø90 mm*3			ø110/ø110 mm*3				
Top clearance	0.73 ± 0.06 mm								

\*1: Engine specifications without radiator.

\*2: Engine oil capacity for a "Deep Standard" oil pan. Refer to the operation manual provided by the driven machine manufacturer for the actual engine oil capacity of your machine.

\*3: May vary depending on application.

# SPECIFICATIONS



## 4TNV88 (~ EPA Tier 2)

Engine model		4TNV88							
Version		CL			VM				
Type	Vertical in-line 4-cycle diesel engine								
Combustion system	Direct injection								
Aspiration	Natural								
No. of cylinders	4								
Bore × stroke	ø88 × 90 mm								
Displacement	2.190 L								
Continuous rated output	min <sup>-1</sup>	1500	1800						
	kW	16.4	19.6						
	PS	22.3	26.7						
Max. rated output (net)	min <sup>-1</sup>	1500	1800	2000	2200	2400	2600	2800	3000
	kW	18.0	21.6	24.1	26.5	28.8	31.3	33.7	35.4
	PS	24.5	29.4	32.7	36.0	39.2	42.5	45.8	48.1
High idling	min <sup>-1</sup>	1600 ± 25	1895 ± 25	2180 ± 25	2400 ± 25	2590 ± 25	2810 ± 25	2995 ± 25	3210 ± 25
Engine weight (dry) with flywheel housing*1		183 kg			170 kg				
PTO position	Flywheel end								
Direction of rotation	Counterclockwise viewed from flywheel end								
Cooling system	Liquid-cooled with radiator								
Lubricating system	Forced lubrication with trochoid pump								
Normal oil pressure at rated engine speed		0.34 - 0.49 MPa			0.39 - 0.54 MPa				
Normal oil pressure at low idle speed	0.06 MPa								
Starting system	Electric starting (starter motor: DC 12 V - 1.4 kW)*3								
	Alternator: DC 12 V, 40 A*3								
	Recommended battery capacity: 12 V, 64 Ah (5 h rating)*3								
Dimensions (L × W × H)*1		683 × 498.5 × 618 mm			658 × 498.5 × 618 mm				
Engine oil pan capacity*2	7.4/4.0 L (dipstick upper limit/lower limit)								
Engine coolant capacity	2.7 L engine only								
Standard cooling fan	370 mm O.D., 6 blade pusher-type*3								
Crank V-pulley dia./ fan V-pulley dia.		ø120/ø90 mm*3			ø110/ø110 mm*3				
Top clearance	0.73 ± 0.06 mm								

\*1: Engine specifications without radiator.

\*2: Engine oil capacity for a "Deep Standard" oil pan. Refer to the operation manual provided by the driven machine manufacturer for the actual engine oil capacity of your machine.

\*3: May vary depending on application.



**4TNV94L (~ EPA Tier 2)**

Engine model		4TNV94L					
Version		CL			VM		
Type		Vertical in-line 4-cycle diesel engine					
Combustion system		Direct injection					
Aspiration		Natural					
No. of cylinders		4					
Bore × stroke		ø94 × 110 mm					
Displacement		3.054 L					
Continuous rated output	min <sup>-1</sup>	1500	1800				
	kW	26.1	31.3				
	PS	35.5	42.5				
Max. rated output (net)	min <sup>-1</sup>	1500	1800	2000	2200	2400	2500
	kW	29.1	34.6	35.3	38.2	41.6	43.0
	PS	39.5	47.0	48.0	52.0	56.5	58.5
High idling	min <sup>-1</sup>	1600 ± 25	1895 ± 25	2180 ± 25	2400 ± 25	2590 ± 25	2700 ± 25
Engine weight (dry) with flywheel housing*1		245 kg			235 kg		
PTO position		Flywheel end					
Direction of rotation		Counterclockwise viewed from flywheel end					
Cooling system		Liquid-cooled with radiator					
Lubricating system		Forced lubrication with trochoid pump					
Normal oil pressure at rated engine speed		0.29 - 0.39 MPa					
Normal oil pressure at low idle speed		0.06 MPa					
Starting system		Electric starting (starter motor: DC 12 V - 2.3 kW)*3					
		Alternator: DC 12 V, 40 A*3					
		Recommended battery capacity: 12 V, 64 Ah (5 h rating)*3					
Dimensions (L × W × H)*1		719 × 498 × 742 mm					
Engine oil pan capacity*2		10.5/6.0 L (dipstick upper limit/lower limit)					
Engine coolant capacity		4.2 L engine only					
Standard cooling fan		410 mm O.D., 6 blade pusher-type*3					
Crank V-pulley dia./ fan V-pulley dia.		ø130/ø130 mm*3					
Top clearance		0.793 ± 0.063 mm					

\*1: Engine specifications without radiator.

\*2: Engine oil capacity for a "Deep Standard" oil pan. Refer to the operation manual provided by the driven machine manufacturer for the actual engine oil capacity of your machine.

\*3: May vary depending on application.

# SPECIFICATIONS



## 4TNV98 (~ EPA Tier 2)

Engine model		4TNV98					
Version		CL			VM		
Type		Vertical in-line 4-cycle diesel engine					
Combustion system		Direct injection					
Aspiration		Natural					
No. of cylinders		4					
Bore × stroke		ø98 × 110 mm					
Displacement		3.319 L					
Continuous rated output	min <sup>-1</sup>	1500	1800				
	kW	30.9	36.8				
	PS	42.0	50.0				
Max. rated output (net)	min <sup>-1</sup>	1500	1800	2000	2200	2400	2500
	kW	34.6	41.2	41.9	45.6	49.3	51.1
	PS	47.0	56.0	57.0	62.0	67.0	69.5
High idling	min <sup>-1</sup>	1600 ± 25	1895 ± 25	2180 ± 25	2400 ± 25	2590 ± 25	2700 ± 25
Engine weight (dry) with flywheel housing*1		248 kg			235 kg		
PTO position		Flywheel end					
Direction of rotation		Counterclockwise viewed from flywheel end					
Cooling system		Liquid-cooled with radiator					
Lubricating system		Forced lubrication with trochoid pump					
Normal oil pressure at rated engine speed		0.29 - 0.39 MPa					
Normal oil pressure at low idle speed		0.06 MPa					
Starting system		Electric starting (starter motor: DC 12 V - 2.3 kW)*3					
		Alternator: DC 12 V, 40 A*3					
		Recommended battery capacity: 12 V, 64 Ah (5 h rating)*3					
Dimensions (L × W × H)*1		719 × 498 × 742 mm					
Engine oil pan capacity*2		10.5/6.0 L (dipstick upper limit/lower limit)					
Engine coolant capacity		4.2 L engine only					
Standard cooling fan		410 mm O.D., 6 blade pusher-type*3					
Crank V-pulley dia./ fan V-pulley dia.		ø130/ø130 mm*3					
Top clearance		0.793 ± 0.063 mm					

\*1: Engine specifications without radiator.

\*2: Engine oil capacity for a "Deep Standard" oil pan. Refer to the operation manual provided by the driven machine manufacturer for the actual engine oil capacity of your machine.

\*3: May vary depending on application.



**4TNV98T (~ EPA Tier 2)**

Engine model		4TNV98T					
Version		CL			VM		
Type		Vertical in-line 4-cycle diesel engine					
Combustion system		Direct injection					
Aspiration		Turbocharged					
No. of cylinders		4					
Bore × stroke		ø98 × 110 mm					
Displacement		3.319 L					
Continuous rated output	min <sup>-1</sup>	1500	1800				
	kW	37.9	45.6				
	PS	51.5	62.0				
Max. rated output (net)	min <sup>-1</sup>	1500	1800	2000	2200	2400	2500
	kW	41.9	50.4	50.7	55.5	60.3	62.5
	PS	57.0	68.5	69.0	75.5	82.0	85.0
High idling	min <sup>-1</sup>	1600 ± 25	1895 ± 25	2180 ± 25	2400 ± 25	2590 ± 25	2700 ± 25
Engine weight (dry) with flywheel housing*1		258 kg			245 kg		
PTO position		Flywheel end					
Direction of rotation		Counterclockwise viewed from flywheel end					
Cooling system		Liquid-cooled with radiator					
Lubricating system		Forced lubrication with trochoid pump					
Normal oil pressure at rated engine speed		0.29 - 0.39 MPa					
Normal oil pressure at low idle speed		0.06 MPa					
Starting system		Electric starting (starter motor: DC 12 V - 2.3 kW)*3					
		Alternator: DC 12 V, 40 A*3					
		Recommended battery capacity: 12 V, 64 Ah*3					
Dimensions (L × W × H)*1		719 × 575 × 804 mm					
Engine oil pan capacity*2		10.5/6.0 L (dipstick upper limit/lower limit)					
Engine coolant capacity		4.2 L engine only					
Standard cooling fan		430 mm O.D., 8 blade suction-type*3					
Crank V-pulley dia. / fan V-pulley dia.		ø130/ø130 mm*3					
Top clearance		0.793 ± 0.063 mm					

\*1: Engine specifications without radiator.

\*2: Engine oil capacity for a "Deep Standard" oil pan. Refer to the operation manual provided by the driven machine manufacturer for the actual engine oil capacity of your machine.

\*3: May vary depending on application.

# SPECIFICATIONS



## 4TNV106 (~ EPA Tier 2)

Engine model		4TNV106					
Version		CL			VM		
Type	Vertical in-line 4-cycle diesel engine						
Combustion system	Direct injection						
Aspiration	Natural						
No. of cylinders	4						
Bore × stroke	ø106 × 125 mm						
Displacement	4.412 L						
Continuous rated output	min <sup>-1</sup>	1500	1800				
	kW	41.2	49.3				
	PS	56.0	67.0				
Max. rated output (net)	min <sup>-1</sup>	1500	1800	2000	2200	2400	2500
	kW	45.6	54.4	56.6	61.4	65.5	67.7
	PS	62.0	74.0	77.0	83.5	89.0	92.0
High idling	min <sup>-1</sup>	1600 ± 25	1895 ± 25	2205 ± 25	2420 ± 25	2615 ± 25	2725 ± 25
Engine weight (dry) with flywheel housing*1		345 kg			330 kg		
PTO position	Flywheel end						
Direction of rotation	Counterclockwise viewed from flywheel end						
Cooling system	Liquid-cooled with radiator						
Lubricating system	Forced lubrication with trochoid pump						
Normal oil pressure at rated engine speed		0.31 - 0.49 MPa		With balancer: 0.34 - 0.44 MPa Without balancer: 0.39 - 0.49 MPa			
Normal oil pressure at low idle speed		0.06 MPa					
Starting system	Electric starting (starter motor: DC 12 V - 3.0 kW)*3						
	Alternator: DC 12 V, 55 A*3						
	Recommended battery capacity: 12 V, 88 Ah*3						
Dimensions (L × W × H)*1		808 × 629 × 803 mm			776 × 629 × 803 mm		
Engine oil pan capacity*2		14.0/5.0 L (dipstick upper limit/lower limit)			14.0/6.5 L (dipstick upper limit/lower limit)		
Engine coolant capacity	6 L engine only						
Standard cooling fan		500 mm O.D. 7 blade pusher-type*3			500 mm O.D. 7 blade suction-type*3		
Crank V-pulley dia./ fan V-pulley dia.	ø150/ø150 mm*3						
Top clearance	0.906 ± 0.059 mm						

\*1: Engine specifications without radiator.

\*2: Engine oil capacity for a "Deep Standard" oil pan. Refer to the operation manual provided by the driven machine manufacturer for the actual engine oil capacity of your machine.

\*3: May vary depending on application.



**4TNV106T (~ EPA Tier 2)**

Engine model		4TNV106T			
Version		CL		VM	
Type		Vertical in-line 4-cycle diesel engine			
Combustion system		Direct injection			
Aspiration		Turbocharged			
No. of cylinders		4			
Bore × stroke		ø106 × 125 mm			
Displacement		4.412 L			
Continuous rated output	min <sup>-1</sup>	1500	1800		
	kW	51.5	61.8		
	PS	70.0	84.0		
Max. rated output (net)	min <sup>-1</sup>	1500	1800	2000	2200
	kW	56.8	68.0	69.9	72.0
	PS	77.2	92.5	95.0	97.9
High idling	min <sup>-1</sup>	1600 ± 25	1875 ± 25	2205 ± 25	2420 ± 25
Engine weight (dry) with flywheel housing* <sup>1</sup>		355 kg		340 kg	
PTO position		Flywheel end			
Direction of rotation		Counterclockwise viewed from flywheel end			
Cooling system		Liquid-cooled with radiator			
Lubricating system		Forced lubrication with trochoid pump			
Normal oil pressure at rated engine speed		0.31 - 0.49 MPa		With balancer: 0.34 - 0.44 MPa Without balancer: 0.39 - 0.49 MPa	
Normal oil pressure at low idle speed		0.06 MPa			
Starting system		Electric starting (starter motor DC 12 V - 3.0 kW)* <sup>3</sup>			
		Alternator: DC 12 V, 55 A* <sup>3</sup>			
		Recommended battery capacity: 12 V, 88 Ah* <sup>3</sup>			
Dimensions (L × W × H)* <sup>1</sup>		808 × 629 × 866 mm		776 × 629 × 866 mm	
Engine oil pan capacity* <sup>2</sup>		14.0/5.0 L (dipstick upper limit/lower limit)		14.0/6.5 L (dipstick upper limit/lower limit)	
Engine coolant capacity		6 L engine only			
Standard cooling fan		500 mm O.D. 7 blade pusher-type* <sup>3</sup>		500 mm O.D. 7 blade suction-type* <sup>3</sup>	
Crank V-pulley dia./ fan V-pulley dia.		ø150/ø150 mm* <sup>3</sup>			
Top clearance		0.906 ± 0.059 mm			

\*1: Engine specifications without radiator.

\*2: Engine oil capacity for a "Deep Standard" oil pan. Refer to the operation manual provided by the driven machine manufacturer for the actual engine oil capacity of your machine.

\*3: May vary depending on application.

# SPECIFICATIONS



## 3TNV82A-B (complies with EPA Interim Tier 4)

Engine model		3TNV82A-B											
Version	CL	VM											
Type	Vertical in-line 4-cycle diesel engine												
Combustion System	Direct injection												
Aspiration	Natural aspiration												
No. of cylinders	3												
Bore × stroke	ø82 × 84 mm												
Displacement	1.331 L												
Continuous rated output	min <sup>-1</sup>												
	kW												
	PS												
Max. rated output (net)	min <sup>-1</sup>				2200	2300	2400	2500	2600	2700	2800		3000
	kW				16.0	16.8	17.5	18.2	19.0	19.7	20.4		21.9
	PS				21.8	22.8	23.8	24.8	25.8	26.8	27.8		29.8
High idling	min <sup>-1</sup>				2375 ± 25	2485 ± 25	2570 ± 25	2675 ± 25	2780 ± 25	2890 ± 25	2995 ± 25		3180 ± 25
Engine weight (dry) with flywheel housing*1	128 kg												
PTO position	Flywheel end												
Direction of rotation	Counterclockwise viewed from flywheel end												
Governor	Mechanical governor (all-speed governor)												
Cooling system	Liquid-cooled with radiator												
Lubricating system	Forced lubrication with trochoid pump												
Normal oil pressure at rated engine speed	0.31 - 0.46 (3.2 - 4.7) MPa										0.36 - 0.51 (3.7 - 5.2) MPa		
Normal oil pressure at low idle speed	≥ 0.06 (≥ 0.6) MPa												
Starting system	Electric starting (starter motor: DC 12 V - 1.7 kW)*3												
Charging system	Alternator: DC 12 V, 40 A*3												
Recommended battery capacity	12 V - 55 Ah (5 h rating)*3												
Starting aid device	Super-quick heating glow plug												
Dimensions (L × W × H)*1	546 × 492 × 561 mm												
Engine oil pan capacity*2	5.5/3.6 L (dipstick upper limit/lower limit)												
Engine coolant capacity	1.8 L engine only												
Standard cooling fan	Resin F type pusher fan - ø335 (NF) × 6												
Crank V-pulley dia./ fan V-pulley dia.	ø110/ø110 mm												
Top clearance	0.64 ± 0.06 mm												

\*1: Engine specifications without radiator.

\*2: Engine oil capacity for a "Deep Standard" oil pan. Refer to the operation manual provided by the driven machine manufacturer for the actual engine oil capacity of your machine.

\*3: May vary depending on application.



**3TNV84T-Z (complies with EPA Interim Tier 4)**

Engine model		3TNV84T-Z											
Version	CL	VM											
Type	Vertical in-line 4-cycle diesel engine												
Combustion system	Direct injection												
Aspiration	Turbocharged												
No. of cylinders	3												
Bore × stroke	ø84 × 90 mm												
Displacement	1.496 L												
Continuous rated output	min <sup>-1</sup>												
	kW												
	PS												
Max. rated output (net)	min <sup>-1</sup>						2400	2500	2600	2700	2800		
	kW						25.0	26.0	26.8	27.9	29.1		
	PS						34.0	35.3	36.5	38.0	39.5		
High idling	min <sup>-1</sup>						2590	2700	2810	2920	2995		
							±25	±25	±25	±25	±25		
Engine weight (dry) with flywheel housing*1	155 kg												
PTO position	Flywheel end												
Direction of rotation	Counterclockwise viewed from flywheel end												
Governor	Electronic governor (all-speed governor)												
Cooling system	Liquid-cooled with radiator												
Lubricating system	Forced lubrication with trochoid pump												
Normal oil pressure at rated engine speed							0.34 - 0.49 (3.5 - 5.0) MPa			0.39 - 0.54 (4.0 - 5.5) MPa			
Normal oil pressure at low idle speed	≥ 0.06 (≥ 0.6) MPa												
Starting system	Electric starting (starter motor: DC 12 V - 1.7 kW)*3												
Charging system	Alternator: DC 12 V, 40 A*3												
Recommended battery capacity	12 V - 55 Ah (5 h rating)*3												
Starting aid device	Air heater (DC 12 V 400 W)												
Dimensions (L × W × H)*1	589 × 486 × 622 mm		564 × 486 × 622 mm										
	6.7/3.9 L (dipstick upper limit/lower limit)												
Engine oil pan capacity*2	2.0 L engine only												
Standard cooling fan	Resin F type pusher fan - ø350 (QF) × 6												
Crank V-pulley dia./ fan V-pulley dia.	ø110/ø110 mm												
Top clearance	0.72 ± 0.06 mm												

\*1: Engine specifications without radiator.

\*2: Engine oil capacity for a "Deep Standard" oil pan. Refer to the operation manual provided by the driven machine manufacturer for the actual engine oil capacity of your machine.

\*3: May vary depending on application.

# SPECIFICATIONS



## 3TNV84T-B (complies with EPA Interim Tier 4)

Engine model		3TNV84T-B											
Version	CL	VM											
Type	Vertical in-line 4-cycle diesel engine												
Combustion system	Direct injection												
Aspiration	Turbocharged												
No. of cylinders	3												
Bore × stroke	ø84 × 90 mm												
Displacement	1.496 L												
Continuous rated output	min <sup>-1</sup>												
	kW												
	PS												
Max. rated output (net)	min <sup>-1</sup>						2400	2500	2600	2700	2800		
	kW						25.0	26.0	26.8	27.9	29.1		
	PS						34.0	35.3	36.5	38.0	39.5		
High idling	min <sup>-1</sup>						2590	2700	2810	2920	2995		
							± 25	± 25	± 25	± 25	± 25		
Engine weight (dry) with flywheel housing*1	155 kg												
PTO position	Flywheel end												
Direction of rotation	Counterclockwise viewed from flywheel end												
Governor	Mechanical governor (all-speed governor)												
Cooling system	Liquid-cooled with radiator												
Lubricating system	Forced lubrication with trochoid pump												
Normal oil pressure at rated engine speed							0.34 - 0.49 (3.5 - 5.0) MPa			0.39 - 0.54 (4.0 - 5.5) MPa			
Normal oil pressure at low idle speed	≥ 0.06 (≥ 0.6) MPa												
Starting system	Electric starting (starter motor: DC 12 V - 1.7 kW)*3												
Charging system	Alternator: DC 12 V, 40 A*3												
Recommended battery capacity	12 V - 55 Ah (5 h rating)*3												
Starting aid device	Air heater (DC 12 V 400 W)												
Dimensions (L × W × H)*1	589 × 486 × 622 mm	564 × 486 × 622 mm											
Engine oil pan capacity*2	6.7/3.9 L (dipstick upper limit/lower limit)												
Engine coolant capacity	2.0 L engine only												
Standard cooling fan	Resin F type pusher fan - ø350 (QF) × 6												
Crank V-pulley dia./ fan V-pulley dia.	ø110/ø110 mm												
Top clearance	0.72 ± 0.06 mm												

\*1: Engine specifications without radiator.

\*2: Engine oil capacity for a "Deep Standard" oil pan. Refer to the operation manual provided by the driven machine manufacturer for the actual engine oil capacity of your machine.

\*3: May vary depending on application.



**3TNV88-Z (complies with EPA Interim Tier 4)**

Engine model		3TNV88-Z											
Version	CL	VM											
Type	Vertical in-line 4-cycle diesel engine												
Combustion system	Direct injection												
Aspiration	Natural aspiration												
No. of cylinders	3												
Bore × stroke	ø88 × 90 mm												
Displacement	1.642 L												
Continuous rated output	min <sup>-1</sup>												
	kW												
	PS												
Max. rated output (net)	min <sup>-1</sup>								2600		2800		3000
	kW								23.5		25.2		27.1
	PS								31.9		34.2		36.8
High idling	min <sup>-1</sup>								2810 ± 25		2995 ± 25		3210 ± 25
Engine weight (dry) with flywheel housing*1	155 kg												
PTO position	Flywheel end												
Direction of rotation	Counterclockwise viewed from flywheel end												
Governor	Electronic governor (all-speed governor)												
Cooling system	Liquid-cooled with radiator												
Lubricating system	Forced lubrication with trochoid pump												
Normal oil pressure at rated engine speed	0.34 - 0.49 (3.5 - 5.0) MPa										0.39 - 0.54 (4.0 - 5.5) MPa		
Normal oil pressure at low idle speed	≥ 0.06 (≥ 0.6) MPa												
Starting system	Electric starting (starter motor: DC 12 V - 1.7 kW)*3												
Charging system	Alternator: DC 12 V, 40 A*3												
Recommended battery capacity	12 V - 55 Ah (5 h rating)*3												
Starting aid device	Super-quick heating glow plug												
Dimensions (L × W × H)*1	568 × 514 × 622 mm												
Engine oil pan capacity*2	6.7/3.9 L (dipstick upper limit/lower limit)												
Engine coolant capacity	2.0 L engine only												
Standard cooling fan	Resin F type pusher fan - ø335 (NF) × 6												
Crank V-pulley dia./ fan V-pulley dia.	ø110/ø110 mm												
Top clearance	0.73 ± 0.06 mm												

\*1: Engine specifications without radiator.

\*2: Engine oil capacity for a "Deep Standard" oil pan. Refer to the operation manual provided by the driven machine manufacturer for the actual engine oil capacity of your machine.

\*3: May vary depending on application.

# SPECIFICATIONS



## 3TNV88-U (complies with EPA Interim Tier 4)

Engine model		3TNV88-U											
Version	CL	VM											
Type	Vertical in-line 4-cycle diesel engine												
Combustion system	Direct injection												
Aspiration	Natural aspiration												
No. of cylinders	3												
Bore × stroke	ø88 × 90 mm												
Displacement	1.642 L												
Continuous rated output	min <sup>-1</sup>												
	kW												
	PS												
Max. rated output (net)	min <sup>-1</sup>				2200	2300	2400	2500	2600	2700	2800		3000
	kW				18.1	18.9	19.7	20.5	21.3	22.2	23.0		24.6
	PS				24.6	25.7	26.8	27.9	29.0	30.2	31.3		33.5
High idling	min <sup>-1</sup>				2400 ± 25	2510 ± 25	2590 ± 25	2700 ± 25	2810 ± 25	2920 ± 25	2995 ± 25		3210 ± 25
Engine weight (dry) with flywheel housing*1	155 kg												
PTO position	Flywheel end												
Direction of rotation	Counterclockwise viewed from flywheel end												
Governor	Mechanical governor (all-speed governor)												
Cooling system	Liquid-cooled with radiator												
Lubricating system	Forced lubrication with trochoid pump												
Normal oil pressure at rated engine speed	0.34 - 0.49 (3.5 - 5.0) MPa											0.39 - 0.54 (4.0 - 5.5) MPa	
Normal oil pressure at low idle speed	≥ 0.06 (≥ 0.6) MPa												
Starting system	Electric starting (starter motor: DC 12 V - 1.7 kW)*3												
Charging system	Alternator: DC 12 V, 40 A*3												
Recommended battery capacity	12 V - 55 Ah (5 h rating)*3												
Starting aid device	Super-quick heating glow plug												
Dimensions (L × W × H)*1	568 × 514 × 622 mm												
Engine oil pan capacity*2	6.7/3.9 L (dipstick upper limit/lower limit)												
Engine coolant capacity	2.0 L engine only												
Standard cooling fan	Resin F type pusher fan - ø335 (NF) × 6												
Crank V-pulley dia./ fan V-pulley dia.	ø110/ø110 mm												
Top clearance	0.73 ± 0.06 mm												

\*1: Engine specifications without radiator.

\*2: Engine oil capacity for a "Deep Standard" oil pan. Refer to the operation manual provided by the driven machine manufacturer for the actual engine oil capacity of your machine.

\*3: May vary depending on application.



**3TNV88-B (complies with EPA Interim Tier 4)**

Engine model		3TNV88-B												
Version		CL				VM								
Type		Vertical in-line 4-cycle diesel engine												
Combustion system		Direct injection												
Aspiration		Natural aspiration												
No. of cylinders		3												
Bore × stroke		ø88 × 90 mm												
Displacement		1.642 L												
Continuous rated output	min <sup>-1</sup>	1500	1800											
	kW	12.3	14.8											
	PS	16.7	20.1											
Max. rated output (net)	min <sup>-1</sup>	1500	1800			2200	2300	2400	2500	2600	2700	2800		3000
	kW	13.5	16.3			19.9	20.7	21.6	22.6	23.5	24.3	25.2		27.1
	PS	18.4	22.1			27.0	28.2	29.4	30.7	31.9	33.1	34.2		36.8
High idling	min <sup>-1</sup>	1600	1895			2400	2510	2590	2700	2810	2920	2995		3210
		± 25	± 25			± 25	± 25	± 25	± 25	± 25	± 25	± 25		± 25
Engine weight (dry) with flywheel housing*1		161 kg				155 kg								
PTO position		Flywheel end												
Direction of rotation		Counterclockwise viewed from flywheel end												
Governor		Mechanical governor (all-speed governor)												
Cooling system		Liquid-cooled with radiator												
Lubricating system		Forced lubrication with trochoid pump												
Normal oil pressure at rated engine speed		0.29 - 0.44 (3.0 - 4.5) MPa				0.34 - 0.49 (3.5 - 5.0) MPa							0.39 - 0.54 (4.0 - 5.5) MPa	
Normal oil pressure at low idle speed		≥ 0.06 (≥ 0.6) MPa												
Starting system		Electric starting (starter motor: DC 12 V - 1.7 kW)*3												
Charging system		Alternator: DC 12 V, 40 A*3												
Recommended battery capacity		12 V - 55 Ah (5 h rating)*3												
Starting aid device		Super-quick heating glow plug												
Dimensions (L × W × H)*1		583 × 514 × 622 mm				568 × 514 × 622 mm								
Engine oil pan capacity*2		6.7/3.9 L (dipstick upper limit/lower limit)												
Engine coolant capacity		2.0 L engine only												
Standard cooling fan		Resin F type pusher fan - ø335 (NF) × 6												
Crank V-pulley dia./ fan V-pulley dia.		ø120/ø90 mm				ø110/ø110 mm								
Top clearance		0.73 ± 0.06 mm												

\*1: Engine specifications without radiator.

\*2: Engine oil capacity for a "Deep Standard" oil pan. Refer to the operation manual provided by the driven machine manufacturer for the actual engine oil capacity of your machine.

\*3: May vary depending on application.

# SPECIFICATIONS



## 4TNV84T-B/4TNV84T-Z (complies with EPA Interim Tier 4)

Engine model		4TNV84T-B						4TNV84T-Z					
Version		CL			VM								
Type		Vertical in-line 4-cycle diesel engine											
Combustion system		Direct injection											
Aspiration		Turbocharged											
No. of cylinders		4											
Bore × stroke		ø84 × 90 mm											
Displacement		1.995 L											
Continuous rated output	min <sup>-1</sup>	1500	1800										
	kW	19.1	24.3										
	PS	26.0	33.0										
Max. rated output (net)	min <sup>-1</sup>	1500	1800				2400	2500	2600	2700	2800		3000
	kW	21.3	26.9				33.5	34.5	35.0	37.1	38.6		41.2
	PS	29.0	36.5				45.5	47.0	47.6	50.5	52.5		56.0
High idling	min <sup>-1</sup>	1600	1895				2590	2700	2810	2850	2950		3150
		± 25	± 25				± 25	± 25	± 25	± 25	± 25		± 25
Engine weight (dry) with flywheel housing*1		183 kg			170 kg								
PTO position		Flywheel end											
Direction of rotation		Counterclockwise viewed from flywheel end											
Governor		Mechanical governor (all-speed governor)						Electronic governor (all-speed governor)					
Cooling system		Liquid-cooled with radiator											
Lubricating system		Forced lubrication with trochoid pump											
Normal oil pressure at rated engine speed		0.29 - 0.44 (3.0 - 4.5) MPa			0.36 - 0.51 (3.7 - 5.2) MPa								
Normal oil pressure at low idle speed		≥ 0.06 (≥ 0.6) MPa											
Starting system		Electric starting (starter motor: DC 12 V - 1.7 kW)*3											
Charging system		Alternator: DC 12 V, 40 A*3											
Recommended battery capacity		12 V - 64 Ah (5 h rating)*3											
Starting aid device		Air heater (DC 12 V 400 W)											
Dimensions (L × W × H)*1		683 × 499 × 713 mm			649 × 499 × 713 mm								
Engine oil pan capacity*2		7.4/4.0 L (dipstick upper limit/lower limit)											
Engine coolant capacity		2.7 L engine only											
Standard cooling fan		Resin F type pusher fan - ø370 (EF) × 6											
Crank V-pulley dia./ fan V-pulley dia.		ø120/ø90 mm			ø110/ø110 mm								
Top clearance		0.73 ± 0.06 mm											

\*1: Engine specifications without radiator.

\*2: Engine oil capacity for a "Deep Standard" oil pan. Refer to the operation manual provided by the driven machine manufacturer for the actual engine oil capacity of your machine.

\*3: May vary depending on application.



**4TNV88-Z (complies with EPA Interim Tier 4)**

Engine model		4TNV88-Z										
Version	CL	VM										
Type	Vertical in-line 4-cycle diesel engine											
Combustion system	Direct injection											
Aspiration	Natural aspiration											
No. of cylinders	4											
Bore × stroke	ø88 × 90 mm											
Displacement	2.190 L											
Continuous rated output	min <sup>-1</sup>											
	kW											
	PS											
Max. rated output (net)	min <sup>-1</sup>							2600		2800		3000
	kW							31.3		33.7		35.4
	PS							42.5		45.8		48.1
High idling	min <sup>-1</sup>							2810 ± 25		2995 ± 25		3210 ± 25
Engine weight (dry) with flywheel housing*1	170 kg											
PTO position	Flywheel end											
Direction of rotation	Counterclockwise viewed from flywheel end											
Governor	Electronic governor (all-speed governor)											
Cooling system	Liquid-cooled with radiator											
Lubricating system	Forced lubrication with trochoid pump											
Normal oil pressure at rated engine speed	0.32 - 0.47 (3.3 - 4.8) MPa											
Normal oil pressure at low idle speed	≥ 0.06 (≥ 0.6) MPa											
Starting system	Electric starting (starter motor: DC 12 V - 1.7 kW)*3											
Charging system	Alternator: DC 12 V, 40 A*3											
Recommended battery capacity	12 V - 64 Ah (5 h rating)*3											
Starting aid device	Super-quick heating glow plug											
Dimensions (L × W × H)*1	659 × 523 × 617 mm											
Engine oil pan capacity*2	7.4/4.0 L (dipstick upper limit/lower limit)											
Engine coolant capacity	2.7 L engine only											
Standard cooling fan	Resin F type pusher fan - ø370 (EF) × 6											
Crank V-pulley dia./ fan V-pulley dia.	ø110/ø110 mm											
Top clearance	0.73 ± 0.06 mm											

\*1: Engine specifications without radiator.

\*2: Engine oil capacity for a "Deep Standard" oil pan. Refer to the operation manual provided by the driven machine manufacturer for the actual engine oil capacity of your machine.

\*3: May vary depending on application.

# SPECIFICATIONS



## 4TNV88-U (complies with EPA Interim Tier 4)

Engine model		4TNV88-U													
Version		CL			VM										
Type		Vertical in-line 4-cycle diesel engine													
Combustion system		Direct injection													
Aspiration		Natural aspiration													
No. of cylinders		4													
Bore × stroke		ø88 × 90 mm													
Displacement		2.190 L													
Continuous rated output	min <sup>-1</sup>														
	kW														
	PS														
Max. rated output (net)	min <sup>-1</sup>											2700	2800		
	kW											29.6	30.7		
	PS											(40.2)	(41.7)		
High idling	min <sup>-1</sup>											2920	2995		
												± 25	± 25		
Engine weight (dry) with flywheel housing*1		170 kg													
PTO position		Flywheel end													
Direction of rotation		Counterclockwise viewed from flywheel end													
Governor		Mechanical governor (all-speed governor)													
Cooling system		Liquid-cooled with radiator													
Lubricating system		Forced lubrication with trochoid pump													
Normal oil pressure at rated engine speed		0.32 - 0.47 (3.3 - 4.8) MPa													
Normal oil pressure at low idle speed		≥ 0.06 (≥ 0.6) MPa													
Starting system		Electric starting (starter motor: DC 12 V - 1.7 kW)*3													
Charging system		Alternator: DC 12 V, 40 A*3													
Recommended battery capacity		12 V - 64 Ah (5 h rating)*3													
Starting aid device		Super-quick heating glow plug													
Dimensions (L × W × H)*1		684 × 523 × 617 mm			659 × 523 × 617 mm										
Engine oil pan capacity*2		7.4/4.0 L (dipstick upper limit/lower limit)													
Engine coolant capacity		2.7 L engine only													
Standard cooling fan		Resin F type pusher fan - ø370 (EF) × 6													
Crank V-pulley dia./ fan V-pulley dia.		ø120/ø90 mm			ø110/ø110 mm										
Top clearance		0.73 ± 0.06 mm													

\*1: Engine specifications without radiator.

\*2: Engine oil capacity for a "Deep Standard" oil pan. Refer to the operation manual provided by the driven machine manufacturer for the actual engine oil capacity of your machine.

\*3: May vary depending on application.



**4TNV88-B (complies with EPA Interim Tier 4)**

Engine model		4TNV88-B													
Version		CL							VM						
Type		Vertical in-line 4-cycle diesel engine													
Combustion system		Direct injection													
Aspiration		Natural aspiration													
No. of cylinders		4													
Bore × stroke		ø88 × 90 mm													
Displacement		2.190 L													
Continuous rated output	min <sup>-1</sup>	1500	1800												
	kW	16.4	19.6												
	PS	22.3	26.7												
Max. rated output (net)	min <sup>-1</sup>	1500	1800	2000	2100	2200	2300	2400	2500	2600	2700	2800		3000	
	kW	18.0	21.6	24.1	25.3	26.5	27.7	28.8	30.1	31.3	32.5	33.7		35.4	
	PS	24.5	29.4	32.7	34.4	36.0	37.6	39.2	40.9	42.5	44.2	45.8		48.1	
High idling	min <sup>-1</sup>	1600	1895	2180	2290	2400	2510	2590	2700	2810	2920	2995		3210	
		± 25	± 25	± 25	± 25	± 25	± 25	± 25	± 25	± 25	± 25	± 25		± 25	
Engine weight (dry) with flywheel housing*1		183 kg							170 kg						
PTO position		Flywheel end													
Direction of rotation		Counterclockwise viewed from flywheel end													
Governor		Mechanical governor (all-speed governor)													
Cooling system		Liquid-cooled with radiator													
Lubricating system		Forced lubrication with trochoid pump													
Normal oil pressure at rated engine speed		0.29 - 0.44 (3.0 - 4.5) MPa			0.32 - 0.47 (3.3 - 4.8) MPa										
Normal oil pressure at low idle speed		≥ 0.06 (≥ 0.6) MPa													
Starting system		Electric starting (starter motor: DC 12 V - 1.7 kW)*3													
Charging system		Alternator: DC 12 V, 40 A*3													
Recommended battery capacity		12 V - 64 Ah (5 h rating)*3													
Starting aid device		Super-quick heating glow plug													
Dimensions (L × W × H)*1		684 × 523 × 617 mm			659 × 523 × 617 mm										
Engine oil pan capacity*2		7.4/4.0 L (dipstick upper limit/lower limit)													
Engine coolant capacity		2.7 L engine only													
Standard cooling fan		Resin F type pusher fan - ø370 (EF) × 6													
Crank V-pulley dia./ fan V-pulley dia.		ø120/ø90 mm			ø110/ø110 mm										
Top clearance		0.73 ± 0.06 mm													

\*1: Engine specifications without radiator.

\*2: Engine oil capacity for a "Deep Standard" oil pan. Refer to the operation manual provided by the driven machine manufacturer for the actual engine oil capacity of your machine.

\*3: May vary depending on application.

# SPECIFICATIONS



## 4TNV98-E (complies with EPA Interim Tier 4)

Engine model		4TNV98-E						
Version		CL						VM
Type	Vertical in-line 4-cycle diesel engine							
Combustion system	Direct injection							
Aspiration	Natural aspiration							
No. of cylinders	4							
Bore × stroke	ø98 × 110 mm							
Displacement	3.319 L							
Continuous rated output	min <sup>-1</sup>							
	kW							
	PS							
Max. rated output (net)	min <sup>-1</sup>			2100	2200	2300	2400	2500
	kW			36.8	38.2	39.7	41.6	43.0
	PS			50.0	52.0	54.0	56.5	58.5
High idling	min <sup>-1</sup>			2250 ± 25	2350 ± 25	2450 ± 25	2550 ± 25	2650 ± 25
Engine weight (dry) with flywheel housing*1	240 kg							
PTO position	Flywheel end							
Direction of rotation	Counterclockwise viewed from flywheel end							
Governor	Electronic governor (all-speed governor)							
Cooling system	Liquid-cooled with radiator							
Lubricating system	Forced lubrication with trochoid pump							
Normal oil pressure at rated engine speed	0.29 - 0.39 (3.0 - 4.0) MPa							
Normal oil pressure at low idle speed	0.06 (0.6) MPa							
Starting system	Electric starting (starter motor: DC 12 V - 2.3 kW)*3							
Charging system	Alternator: DC 12 V, 40 A*3							
Recommended battery capacity	12 V - 64 Ah (5 h rating)*3							
Starting aid device	Air heater (DC12 V/500 W)							
Dimensions (L × W × H)*1	719 × 540 × 721 mm							
Engine oil pan capacity*2	10.2/5.7 L (dipstick upper limit/lower limit)							
Engine coolant capacity	4.2 L engine only							
Standard cooling fan	Resin F type pusher fan - ø410 (Al) × 6							
Crank V-pulley dia./ fan V-pulley dia.	ø130/ø130 mm							
Top clearance	0.793 ± 0.063 mm							

\*1: Engine specifications without radiator.

\*2: Engine oil capacity for a "Deep Standard" oil pan. Refer to the operation manual provided by the driven machine manufacturer for the actual engine oil capacity of your machine.

\*3: May vary depending on application.



**4TNV98-Z (complies with EPA Interim Tier 4)**

Engine model		4TNV98-Z							
Version		CL			VM				
Type	Vertical in-line 4-cycle diesel engine								
Combustion system	Direct injection								
Aspiration	Natural aspiration								
No. of cylinders	4								
Bore × stroke	ø98 × 110 mm								
Displacement	3.319 L								
Continuous rated output	min <sup>-1</sup>	1500	1800						
	kW	30.9	36.8						
	PS	42.0	50.0						
Max. rated output (net)	min <sup>-1</sup>	1500	1800	2000	2100	2200	2300	2400	2500
	kW	34.6	41.2	41.9	43.8	45.6	47.4	49.3	51.1
	PS	47.0	56.0	57.0	59.5	62.0	64.5	67.0	69.5
High idling	min <sup>-1</sup>	1530 ± 25	1830 ± 25	2150 ± 25	2250 ± 25	2350 ± 25	2450 ± 25	2550 ± 25	2650 ± 25
Engine weight (dry) with flywheel housing*1		248 kg			235 kg				
PTO position	Flywheel end								
Direction of rotation	Counterclockwise viewed from flywheel end								
Governor	Electronic governor (all-speed governor)								
Cooling system	Liquid-cooled with radiator								
Lubricating system	Forced lubrication with trochoid pump								
Normal oil pressure at rated engine speed	0.29 - 0.39 (3.0 - 4.0) MPa								
Normal oil pressure at low idle speed	0.06 (0.6) MPa								
Starting system	Electric starting (starter motor: DC 12 V - 2.3 kW)*3								
Charging system	Alternator: DC 12 V, 40 A*3								
Recommended battery capacity	12 V - 64 Ah (5 h rating)*3								
Starting aid device	Air heater (DC 12 V/500 W)								
Dimensions (L × W × H)*1	719 × 540 × 721 mm								
Engine oil pan capacity*2	10.2/5.7 L (dipstick upper limit/lower limit)								
Engine coolant capacity	4.2 L engine only								
Standard cooling fan	Resin F type pusher fan - ø410 (Al) × 6								
Crank V-pulley dia./ fan V-pulley dia.	ø130/ø130 mm								
Top clearance	0.793 ± 0.063 mm								

\*1: Engine specifications without radiator.

\*2: Engine oil capacity for a "Deep Standard" oil pan. Refer to the operation manual provided by the driven machine manufacturer for the actual engine oil capacity of your machine.

\*3: May vary depending on application.

# SPECIFICATIONS



## 4TNV98T-Z (complies with EPA Interim Tier 4)

Engine model		4TNV98T-Z							
Version		CL			VM				
Type	Vertical in-line 4-cycle diesel engine								
Combustion system	Direct injection								
Aspiration	Turbocharged								
No. of cylinders	4								
Bore × stroke	ø98 × 110 mm								
Displacement	3.319 L								
Continuous rated output	min <sup>-1</sup>	1500	1800						
	kW	37.9	45.6						
	PS	51.5	62.0						
Max. rated output (net)	min <sup>-1</sup>	1500	1800			2200	2300	2400	2500
	kW	41.9	50.4			55.5	58.0	60.3	62.5
	PS	57.0	68.5			75.5	78.8	82.0	85.0
High idling	min <sup>-1</sup>	1530 ± 25	1830 ± 25			2350 ± 25	2450 ± 25	2550 ± 25	2650 ± 25
Engine weight (dry) with flywheel housing*1		258 kg			245 kg				
PTO position	Flywheel end								
Direction of rotation	Counterclockwise viewed from flywheel end								
Governor	Electronic governor (all-speed governor)								
Cooling system	Liquid-cooled with radiator								
Lubricating system	Forced lubrication with trochoid pump								
Normal oil pressure at rated engine speed	0.29 - 0.39 (3.0 - 4.0) MPa								
Normal oil pressure at low idle speed	≥ 0.06 (≥ 0.6) MPa								
Starting system	Electric starting (starter motor: DC 12 V - 2.3 kW)*3								
Charging system	Alternator: DC 12 V, 40 A*3								
Recommended battery capacity	12 V - 64 Ah (5 h rating)*3								
Starting aid device	Air heater (DC 12 V/500 W)								
Engine oil pan capacity*2	10.2/5.7 L (dipstick upper limit/lower limit)								
Engine coolant capacity	4.2 L engine only								
Standard cooling fan	Resin F type pusher fan - ø430 (UX) × 6								
Crank V-pulley dia./ fan V-pulley dia.	ø130/ø130 mm								
Top clearance	0.793 ± 0.063 mm								

\*1: Engine specifications without radiator.

\*2: Engine oil capacity for a "Deep Standard" oil pan. Refer to the operation manual provided by the driven machine manufacturer for the actual engine oil capacity of your machine.

\*3: May vary depending on application.



2TNV70 (complies with EU Stage V)

Engine model		2TNV70													
Version		VM													
		W	V	S	Q	P	N	M	L	K	D	C	B	A	
Type	Vertical in-line 4-cycle diesel engine														
Combustion system	Direct injection														
Aspiration	Natural														
No. of cylinders	2														
Bore × stroke	ø70 × 74 mm														
Displacement	0.570 L														
Continuous rated output	min <sup>-1</sup>														
	kW														
	PS														
Max. rated output (net)	min <sup>-1</sup>	2000	2100	2200	2300	2400	2500	2600	2700	2800	3000	3200	3400	3600	
	kW	6.1	6.5	6.8	7.2	7.5	7.8	8.1	8.4	8.8	9.5	9.8	10.1	10.5	
	PS	8.3	8.8	9.2	9.8	10.2	10.6	11.0	11.4	12.0	12.9	13.3	13.7	14.3	
High idling	min <sup>-1</sup>	2160	2270	2375	2460	2570	2675	2780	2890	2995	3210	3400	3600	3815	
Engine weight (dry) with flywheel housing*1	84 kg														
PTO position	Flywheel end														
Direction of rotation	Counterclockwise viewed from flywheel end														
Cooling system	Liquid-cooled with radiator														
Lubricating system	Forced lubrication with trochoid pump														
Normal oil pressure at rated engine speed	0.29 - 0.44 MPa														
Normal oil pressure at low idle speed	0.06 MPa														
Starting system	Electric starting - starter motor: DC 12 V, 1.0 kW*3														
	Dynamo: DC 12 V, 20 A*3														
	Recommended battery capacity: 12 V, 36 Ah (5 h rating)*3														
Dimensions (L × W × H)*1	415 × 427 × 484 mm														
Engine oil pan capacity*2	1.8/1.2 L (dipstick upper limit/lower limit)														
Engine coolant capacity	0.6 L engine only														
Standard cooling fan	260 mm O.D., 5 blade pusher-type*3														
Crank V-pulley dia. / fan V-pulley dia.	ø110/ø110 mm*3														
Top clearance	0.768 ± 0.072 mm														

\*1: Engine specifications without radiator.

\*2: Engine oil capacity for a "Deep Standard" oil pan. Refer to the operation manual provided by the driven machine manufacturer for the actual engine oil capacity of your machine.

\*3: May vary depending on application.

# SPECIFICATIONS



## 3TNV70 (complies with EU Stage V)

Engine model		3TNV70													
Version		VM													
		W	V	S	Q	P	N	M	L	K	D	C	B	A	
Type	Vertical in-line 4-cycle diesel engine														
Combustion system	Direct injection														
Aspiration	Natural														
No. of cylinders	3														
Bore × stroke	ø70 × 74 mm														
Displacement	0.854 L														
Continuous rated output	min <sup>-1</sup>														
	kW														
	PS														
Max. rated output (net)	min <sup>-1</sup>	2000	2100	2200	2300	2400	2500	2600	2700	2800	3000	3200	3400	3600	
	kW	9.3	9.9	10.3	11.0	11.5	12.0	12.5	13.1	13.6	14.6	15.1	16.1	17.0	
	PS	12.6	13.5	14.0	15.0	15.6	16.3	17.0	17.8	18.5	19.9	20.5	21.9	23.1	
High idling	min <sup>-1</sup>	2160	2270	2375	2460	2570	2675	2780	2890	2995	3210	3400	3600	3815	
Engine weight (dry) with flywheel housing*1	98 kg														
PTO position	Flywheel end														
Direction of rotation	Counterclockwise viewed from flywheel end														
Cooling system	Liquid-cooled with radiator														
Lubricating system	Forced lubrication with trochoid pump														
Normal oil pressure at rated engine speed	0.29 - 0.44 MPa														
Normal oil pressure at low idle speed	0.06 MPa														
Starting system	Electric starting - starter motor: DC 12 V, 1.0 kW*3														
	Dynamo: DC 12 V, 20 A*3														
	Recommended battery capacity: 12 V, 36 Ah (5 h rating)*3														
Dimensions (L × W × H)*1	504 × 427 × 506 mm														
Engine oil pan capacity*2	2.8/1.5 L (dipstick upper limit/lower limit)														
Engine coolant capacity	0.9 L engine only														
Standard cooling fan	310 mm O.D., 5 blade pusher-type*3														
Crank V-pulley dia./ fan V-pulley dia.	ø110/ø100 mm*3														
Top clearance	0.768 ± 0.072 mm														

\*1: Engine specifications without radiator.

\*2: Engine oil capacity for a "Deep Standard" oil pan. Refer to the operation manual provided by the driven machine manufacturer for the actual engine oil capacity of your machine.

\*3: May vary depending on application.



**3TNV76 (complies with EU Stage V)**

Engine model		3TNV76								
Version	VM									
	W	V	S	Q	P	N	M	L	K	
Type	Vertical in-line 4-cycle diesel engine									
Combustion system	Direct injection									
Aspiration	Natural									
No. of cylinders	3									
Bore × stroke	ø76 × 82 mm									
Displacement	1.116 L									
Continuous rated output	min <sup>-1</sup>									
	kW									
	PS									
Max. rated output (net)	min <sup>-1</sup>	2000	2100	2200	2300	2400	2500	2600	2700	2800
	kW	12.3	13.0	13.7	14.4	15.0	15.7	16.3	17.0	17.7
	PS	16.7	17.7	18.6	19.6	20.4	21.3	22.2	23.1	24.1
High idling	min <sup>-1</sup>	2160	2270	2375	2460	2570	2675	2780	2890	2995
Engine weight (dry) with flywheel housing*1	112 kg									
PTO position	Flywheel end									
Direction of rotation	Counterclockwise viewed from flywheel end									
Cooling system	Liquid-cooled with radiator									
Lubricating system	Forced lubrication with trochoid pump									
Normal oil pressure at rated engine speed	0.29 - 0.44 MPa									
Normal oil pressure at low idle speed	0.06 MPa									
Starting system	Electric starting (starter motor: DC 12 V - 1.1 kW)*3									
	Alternator: DC 12 V, 40 A*3									
	Recommended battery capacity: 12 V, 36 Ah (5 h rating)*3									
Dimensions (L × W × H)*1	523 × 427 × 532 mm									
Engine oil pan capacity*2	3.4/1.8 L (dipstick upper limit/lower limit)									
Engine coolant capacity	0.9 L engine only									
Standard cooling fan	335 mm O.D., 6 blade pusher-type*3									
Crank V-pulley dia. / fan V-pulley dia.	ø110/ø100 mm*3									
Top clearance	0.819 ± 0.072 mm									

\*1: Engine specifications without radiator.

\*2: Engine oil capacity for a "Deep Standard" oil pan. Refer to the operation manual provided by the driven machine manufacturer for the actual engine oil capacity of your machine.

\*3: May vary depending on application.

# SPECIFICATIONS



## 3TNV82A-B (complies with EU Stage V)

Engine model		3TNV82A-B			
Version		VM			
		BS	BQ	BP	BN
Type		Vertical in-line 4-cycle diesel engine			
Combustion System		Direct injection			
Aspiration		Natural			
No. of cylinders		3			
Bore × stroke		ø82 × 84 mm			
Displacement		1.331 L			
Continuous rated output	min <sup>-1</sup>				
	kW				
	PS				
Max. rated output (net)	min <sup>-1</sup>	2200	2300	2400	2500
	kW	16.6	17.5	18.2	18.5
	PS	22.6	23.8	24.7	25.2
High idling	min <sup>-1</sup>	2375	2485	2570	2675
Engine weight (dry) with flywheel housing*1		128 kg			
PTO position		Flywheel end			
Direction of rotation		Counterclockwise viewed from flywheel end			
Governor		Mechanical governor (all-speed governor)			
Cooling system		Liquid-cooled with radiator			
Lubricating system		Forced lubrication with trochoid pump			
Normal oil pressure	Rated engine speed	0.31 - 0.46 MPa			
	Low idle speed	≥ 0.06 MPa			
Starting system		Electric starting (starter motor: DC 12 V - 1.7 kW)*3			
Charging system		Dynamo: DC 12 V, 40 A*3			
Recommended battery capacity		Recommended battery capacity: 12 V, 36 Ah (5 h rating)*3			
Dimensions (L × W × H)*1		546 × 492 × 561 mm			
Engine oil pan capacity*2		5.5/3.6 L (dipstick upper limit/lower limit)			
Engine coolant capacity		1.8 L engine only			
Standard cooling fan		Resin F type pusher fan - ø335 (NF) × 6			
Crank V-pulley dia./ fan V-pulley dia.		ø110/ø110 mm			
Top clearance		0.64 ± 0.06 mm			

\*1: Engine specifications without radiator.

\*2: Engine oil capacity for a "Deep Standard" oil pan. Refer to the operation manual provided by the driven machine manufacturer for the actual engine oil capacity of your machine.

\*3: May vary depending on application.



**3TNV88-E, 3TNV88-B (complies with EU Stage V)**

Engine model		3TNV88-E			3TNV88-B
Version		VM			VM
		ES	EQ	EP	BW
Type	Vertical in-line 4-cycle diesel engine				
Combustion system	Direct injection				
Aspiration	Natural				
No. of cylinders	3				
Bore × stroke	ø88 × 90 mm				
Displacement	1.642 L				
Continuous rated output	min <sup>-1</sup>				
	kW				
	PS				
Max. rated output (net)	min <sup>-1</sup>	2200	2300	2400	2500
	kW	18.9	18.9	18.9	18.5
	PS	25.7	25.7	25.7	25.2
High idling	min <sup>-1</sup>	2400	2510	2590	2675
Engine weight (dry) with flywheel housing*1	155 kg				
PTO position	Flywheel end				
Direction of rotation	Counterclockwise viewed from flywheel end				
Governor	Electronic governor (all-speed governor)			Mechanical governor (all-speed governor)	
Cooling system	Liquid-cooled with radiator				
Lubricating system	Forced lubrication with trochoid pump				
Normal oil pressure	Rated engine speed	0.34 - 0.49 MPa			
	Low idle speed	≥ 0.06 MPa			
Starting system	Electric starting (starter motor: DC 12 V - 1.7 kW)*3				
	Dynamo: DC 12 V, 40 A*3				
	Recommended battery capacity: 12 V, 55 Ah (5 h rating)*3				
Dimensions (L × W × H)*1	568 × 514 × 622 mm				
Engine oil pan capacity*2	6.7/3.9 L (dipstick upper limit/lower limit)				
Engine coolant capacity	2.0 L engine only				
Standard cooling fan	Resin F type pusher fan - ø335 (NF) × 6				
Crank V-pulley dia./ fan V-pulley dia.	ø110/ø110 mm				
Top clearance	0.73 ± 0.06 mm				

\*1: Engine specifications without radiator.

\*2: Engine oil capacity for a "Deep Standard" oil pan. Refer to the operation manual provided by the driven machine manufacturer for the actual engine oil capacity of your machine.

\*3: May vary depending on application.

**This Page Intentionally Left Blank**

# **YANMAR**

**Head Office:**  
**YANMAR POWER TECHNOLOGY CO., LTD.**  
1-32 Chayamachi, Kita-ku, Osaka, Japan  
<https://www.yanmar.com>

---

**Yanmar America Corporation**  
101 International Parkway  
Adairsville, GA 30103, U.S.A.  
TEL: +1-770-877-9894 FAX: +1-770-877-9009  
<https://www.yanmar.com/us/>

**Yanmar Europe B.V.**  
Brugplein11, 1332 BS Almere -de Vaart  
The Netherlands.  
TEL: +31-36-5493200 FAX: +31-36-5493209  
<https://www.yanmar.com/eu/>

**Yanmar Asia (Singapore) Corporation Pte Ltd.**  
4 Tuas Lane, Singapore 638613  
TEL: +65-6861-3855 FAX: +65-6862-5189  
<https://www.yanmar.com/sg/>

**Yanmar Engine (Shanghai) Corporation Ltd.**  
Room 1101-1106, No.757 Mengzi Road,  
Huangpu District, Shanghai 200023 PRC  
TEL: +86-21-2312-0688 FAX: +86-21-6880-8090  
<http://www.yanmar-china.com/cn/>

**Yanmar South America Industria De Maquinas Ltda.**  
Av. Presidente Vargas 1400, Indaiatuba, S.P., Brazil, CEP: 13338-901  
TEL: +55-19-3801-9224 FAX: +55-19-3875-3899, 2241  
<https://www.yanmar.com/br/>

As of April 1, 2020

## **OPERATION MANUAL**

TNV Series

1st edition: February 2006  
9th edition 1st rev.: June 2020  
10th edition: September 2020  
11th edition: August 2022  
11th edition 1st rev.: October 2022

Issued by: YANMAR POWER TECHNOLOGY CO., LTD.  
Edited by: YANMAR GLOBAL CS CO., LTD.



**YANMAR POWER TECHNOLOGY CO., LTD.**

<https://www.yanmar.com>

OATNV-EN001A  
Oct.2022-1  
PRINTED IN JAPAN