

Specifications

402J-05, 403J-07, 403J-11, 403J-11T, 403J-15, 403J-17 and 403J-17T Industrial Engines

IH (Engine)
IF (Engine)
IG (Engine)
IZ (Engine)
IS (Engine)
IK (Engine)
IJ (Engine)

Important Safety Information

Most accidents that involve product operation, maintenance and repair are caused by failure to observe basic safety rules or precautions. An accident can often be avoided by recognizing potentially hazardous situations before an accident occurs. A person must be alert to potential hazards. This person should also have the necessary training, skills and tools to perform these functions correctly.

Incorrect operation, lubrication, maintenance or repair of this product can be dangerous and could result in injury or death.

Do not operate or perform any lubrication, maintenance or repair on this product, until you have read and understood the operation, lubrication, maintenance and repair information.

Safety precautions and warnings are provided in this manual and on the product. If these hazard warnings are not heeded, bodily injury or death could occur to you or to other persons.

The hazards are identified by the "Safety Alert Symbol" and followed by a "Signal Word" such as "DANGER", "WARNING" or "CAUTION". The Safety Alert "WARNING" label is shown below.



The meaning of this safety alert symbol is as follows:

Attention! Become Alert! Your Safety is Involved.

The message that appears under the warning explains the hazard and can be either written or pictorially presented.

Operations that may cause product damage are identified by "NOTICE" labels on the product and in this publication.

Perkins cannot anticipate every possible circumstance that might involve a potential hazard. The warnings in this publication and on the product are, therefore, not all inclusive. You must not use this product in any manner different from that considered by this manual without first satisfying yourself that you have considered all safety rules and precautions applicable to the operation of the product in the location of use, including site-specific rules and precautions applicable to the worksite. If a tool, procedure, work method or operating technique that is not specifically recommended by Perkins is used, you must satisfy yourself that it is safe for you and for others. You should also ensure that you are authorized to perform this work, and that the product will not be damaged or become unsafe by the operation, lubrication, maintenance or repair procedures that you intend to use.

The information, specifications, and illustrations in this publication are on the basis of information that was available at the time that the publication was written. The specifications, torques, pressures, measurements, adjustments, illustrations, and other items can change at any time. These changes can affect the service that is given to the product. Obtain the complete and most current information before you start any job. Perkins dealers or Perkins distributors have the most current information available.



When replacement parts are required for this product Perkins recommends using Perkins replacement parts.

Failure to heed this warning can lead to premature failures, product damage, personal injury or death.

In the United States, the maintenance, replacement, or repair of the emission control devices and systems may be performed by any repair establishment or individual of the owner's choosing.

Table of Contents

Specifications Section

Engine Design	4
Fuel Injection Lines	7
Fuel Injection Pump	8
Fuel Injector.....	9
Fuel Transfer Pump	9
Lifter Group	10
Rocker Shaft	10
Valve Mechanism Cover	12
Cylinder Head Valves	12
Cylinder Head	15
Turbocharger.....	17
Exhaust Manifold	19
Camshaft.....	20
Engine Oil Lines	22
Engine Oil Relief Valve	22
Engine Oil Pump	23
Engine Oil Pan	25
Water Temperature Regulator	26
Cylinder Block	28
Crankshaft	29
Connecting Rod Bearing Journal	30
Main Bearing Journal.....	30
Connecting Rod	31
Piston and Rings	32
Housing (Front).....	35
Gear Group (Front).....	36
Flywheel	37
Flywheel Housing	38
Crankshaft Pulley	38
Belt Tension Chart	38
Fan Drive	39
Engine Lifting Bracket.....	40
Alternator and Regulator	40
Electric Starting Motor	40
Coolant Temperature Sensor	42
Coolant Temperature Switch	42
Engine Oil Pressure Switch.....	43
Glow Plugs	44
Fuel Shutoff Solenoid	44

Index Section

Index.....	45
------------	----

Specifications Section

i08138546

Engine Design

402J-05 Engine

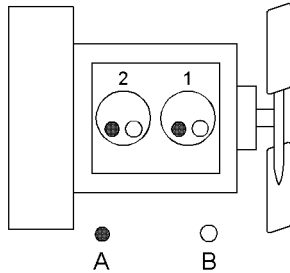


Illustration 1 g01111232

Cylinder and valve location

(A) Exhaust valve
(B) Inlet valve

Bore	67 mm ((2.64 inch))
Stroke	72 mm ((2.83 inch))
Displacement	0.507 L ((31 in ³))
Cylinder arrangement	In-line
Type of combustion	Indirect injection
Compression ratio	23.5:1
Number of cylinders	2
Valves per cylinder	2

Valve lash

Inlet valve	0.2 mm ((0.0078 inch))
Exhaust valve	0.2 mm ((0.0078 inch))

Firing order 1, 2

When the crankshaft is viewed from the front of the engine, the crankshaft rotates in the following direction. Clockwise

When the camshaft is viewed from the front of the engine, the camshaft rotates in the following direction. Clockwise

The front of the engine is opposite the flywheel end of the engine. The left side and the right side of the engine are determined from the flywheel end. Number 1 cylinder is the front cylinder of the engine.

403J-07 Engine

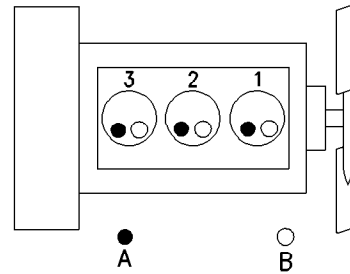


Illustration 2 g00852304

Cylinder and valve location

(A) Exhaust valve
(B) Inlet valve

Bore	67 mm ((2.64 inch))
Stroke	72 mm ((2.83 inch))
Displacement	0.762 L ((46.5 in ³))
Cylinder arrangement	In-line
Type of combustion	Indirect injection
Compression ratio	23.5:1
Number of cylinders	3
Valves per cylinder	2

Valve lash

Inlet valve	0.2 mm ((0.0078 inch))
Exhaust valve	0.2 mm ((0.0078 inch))

Firing order 1, 2, 3

When the crankshaft is viewed from the front of the engine, the crankshaft rotates in the following direction. Clockwise

When the camshaft is viewed from the front of the engine, the camshaft rotates in the following direction. Clockwise

The front of the engine is opposite the flywheel end of the engine. The left side and the right side of the engine are determined from the flywheel end. Number 1 cylinder is the front cylinder of the engine.

403J-11 Engines

403J-11T Engines

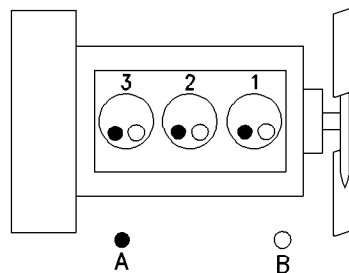
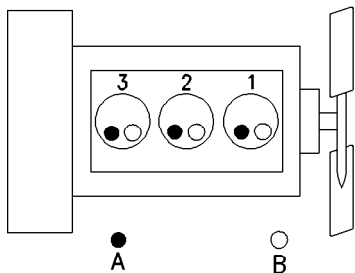


Illustration 3 g00852304

Illustration 4 g00852304

Cylinder and valve location

Cylinder and valve location

(A) Exhaust valve
(B) Inlet valve

(A) Exhaust valve
(B) Inlet valve

Bore 77 mm ((3.03 inch))

Bore 77 mm ((3.03 inch))

Stroke 81 mm ((3.19 inch))

Stroke 81 mm ((3.19 inch))

Displacement 1.131 L ((69 in³))

Displacement 1.131 L ((69 in³))

Cylinder arrangement In-line

Cylinder arrangement In-line

Type of combustion Indirect injection

Type of combustion Indirect injection

Compression ratio 23:1

Compression ratio 22.1:1

Number of cylinders 3

Number of cylinders 3

Valves per cylinder 2

Valves per cylinder 2

Valve lash

Valve lash

Inlet valve 0.2 mm ((0.0078 inch))

Inlet valve 0.2 mm ((0.0078 inch))

Exhaust valve 0.2 mm ((0.0078 inch))

Exhaust valve 0.2 mm ((0.0078 inch))

Firing order 1, 2, 3

Firing order 1, 2, 3

When the crankshaft is viewed from the front of the engine, the crankshaft rotates in the following direction..... Clockwise

When the crankshaft is viewed from the front of the engine, the crankshaft rotates in the following direction..... Clockwise

When the camshaft is viewed from the front of the engine, the camshaft rotates in the following direction..... Clockwise

When the camshaft is viewed from the front of the engine, the camshaft rotates in the following direction..... Clockwise

The front of the engine is opposite the flywheel end of the engine. The left side and the right side of the engine are determined from the flywheel end. Number 1 cylinder is the front cylinder of the engine.

The front of the engine is opposite the flywheel end of the engine. The left side and the right side of the engine are determined from the flywheel end. Number 1 cylinder is the front cylinder of the engine.

403J-15 Engine

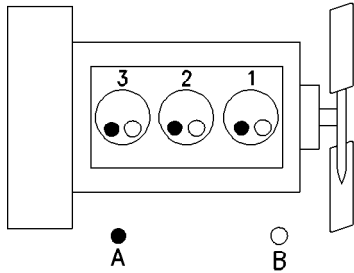


Illustration 5 g00852304

Cylinder and valve location

- (A) Exhaust valve
(B) Inlet valve

Bore	84 mm ((3.3 inch))
Stroke	90 mm ((3.5 inch))
Displacement	1.496 L ((91 in ³))
Cylinder arrangement	In-line
Type of combustion	Indirect injection
Compression ratio	22.5:1
Number of cylinders	3
Valves per cylinder	2
Valve lash	
Inlet valve	0.2 mm ((0.0078 inch))
Exhaust valve	0.2 mm ((0.0078 inch))
Firing order	1, 2, 3

When the crankshaft is viewed from the front of the engine, the crankshaft rotates in the following direction..... Clockwise

When the camshaft is viewed from the front of the engine, the camshaft rotates in the following direction..... Clockwise

The front of the engine is opposite the flywheel end of the engine. The left side and the right side of the engine are determined from the flywheel end. Number 1 cylinder is the front cylinder of the engine.

403J-17 Engine

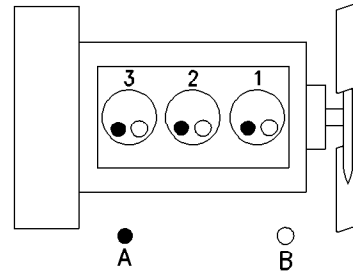


Illustration 6 g00852304

Cylinder and valve location

- (A) Exhaust valve
(B) Inlet valve

Bore	84 mm ((3.3 inch))
Stroke	100 mm ((3.94 inch))
Displacement	1.662 L ((101.4 in ³))
Cylinder arrangement	In-line
Type of combustion	Indirect injection
Compression ratio	23.1:1
Number of cylinders	3
Valves per cylinder	2
Valve lash	
Inlet valve	0.2 mm ((0.0078 inch))
Exhaust valve	0.2 mm ((0.0078 inch))
Firing order	1, 2, 3

The crankshaft is viewed from the front of the engine. Direction of rotation Clockwise

The camshaft is viewed from the front of the engine. Direction of rotation Clockwise

The front of the engine is opposite the flywheel end of the engine. The left side and the right side of the engine are determined from the flywheel end. Number 1 cylinder is the front cylinder of the engine.

403J-17T Engine

i08138553

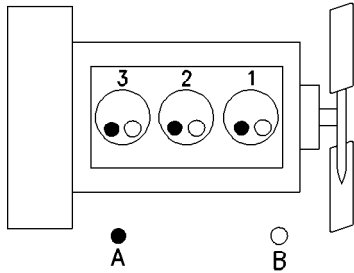


Illustration 7 g00852304

Cylinder and valve location

- (A) Exhaust valve
- (B) Inlet valve

Bore	84 mm ((3.3 inch))
Stroke	100 mm ((3.94 inch))
Displacement	1.662 L ((101.4 in ³))
Cylinder arrangement	In-line
Type of combustion	Indirect injection
Compression ratio	23.1:1
Number of cylinders	3
Valves per cylinder	2
Valve lash	

Inlet valve	0.2 mm ((0.0078 inch))
Exhaust valve	0.2 mm ((0.0078 inch))

Firing order 1, 2, 3

The crankshaft is viewed from the front of the engine.
Direction of rotation Clockwise

The camshaft is viewed from the front of the engine.
Direction of rotation Clockwise

The front of the engine is opposite the flywheel end of the engine. The left side and the right side of the engine are determined from the flywheel end. Number 1 cylinder is the front cylinder of the engine.

Fuel Injection Lines

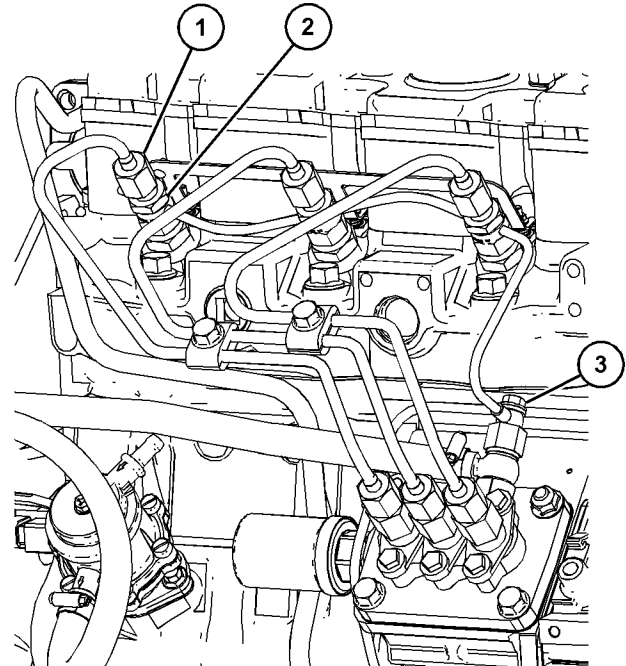


Illustration 8 g06177255

Typical example

- (1) Torque for the union nuts for the fuel injectors
 - 402J-05 and 403J-07 engines 20 N·m ((177 lb in))
 - 403J-11, 403J-11T, 403J-15, 403J-17, and 403J-17T engines 23 N·m ((204 lb in))
- (2) Torque for the nut 27 N·m ((239 lb in))
- (3) Torque for the banjo bolt 7 N·m ((62 lb in))

Note: All washers must be replaced when the fuel lines are removed.

i08138559

Fuel Injection Pump

- Cylinder block

The following thicknesses of shims are available:

- 0.20 mm (0.008 inch)
- 0.25 mm (0.010 inch)
- 0.35 mm (0.014 inch)
- 0.50 mm (0.020 inch)

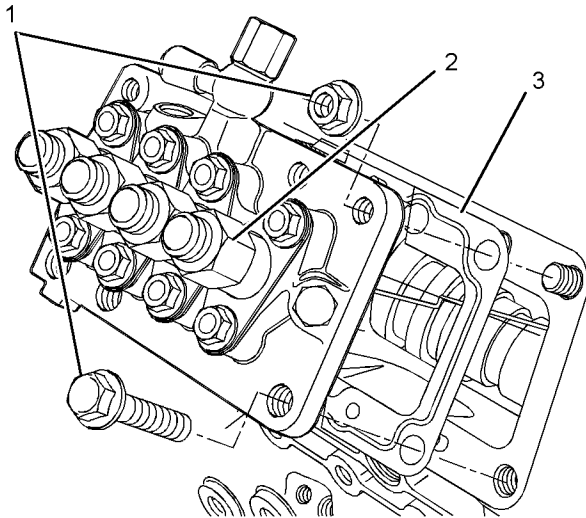


Illustration 9

g01329882

Typical example

Type of fuel injection pump In-line cassette

Direction of rotation of the camshaft for the fuel injection pump Clockwise from the drive end

(1) Torque for the mounting nuts and setscrews

402J-05, and 403J-07 6 N·m ((53 lb in))

403J-11, 403J-11T, 403J-15, 403J-17, and 403J-17T 15 N·m ((133 lb in))

(2) Torque for the delivery valve holders. 42 N·m ((31 lb ft))

(3) Shim

The shim adjusts the timing of the fuel injection pump. A thicker shim retards the timing. A thinner shim advances the timing. The timing changes 1 degree for each 0.10 mm (0.004 inch) difference in the thickness of the shim. More than one shim can be used. If the fuel injection pump is reinstalled, new shims, which have the same thickness as the original shims, must be installed.

If any of the following new components are installed, new shims which have the same thickness as the original shims must be used.

- Camshaft

i08138561

i08138568

Fuel Injector

Fuel Transfer Pump

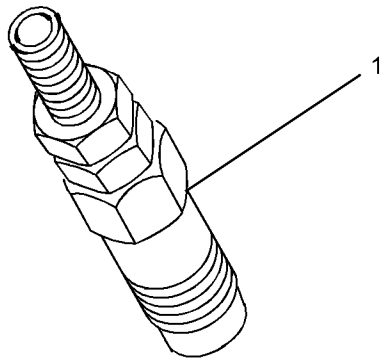


Illustration 10
Typical example g01335248

(1) Torque for the fuel injectors

All models 64 N·m ((47 lb ft))

Note: Remove the original seat washer from the hole for the fuel injector. Do not reuse the original seat washer.

Note: Apply a 2 mm (0.0787 inch) bead of Hyloma Universal Sealing Compound to the first 6 mm (0.2362 inch) of the thread to the fuel injector.

Table 1

Injector Opening Pressures	
Engine Model	Opening pressure
402J-05	11960 kPa (1734 psi)
403J-07	11960 kPa (1734 psi)
403J-11	13930 kPa (2020 psi)
403J-11T	13930 kPa (2020 psi)
403J-15	14700 kPa (2132 psi)
403J-17	14700 kPa (2132 psi)
403J-17T	14700 kPa (2132 psi)

Leakage in 10 seconds 0 drops

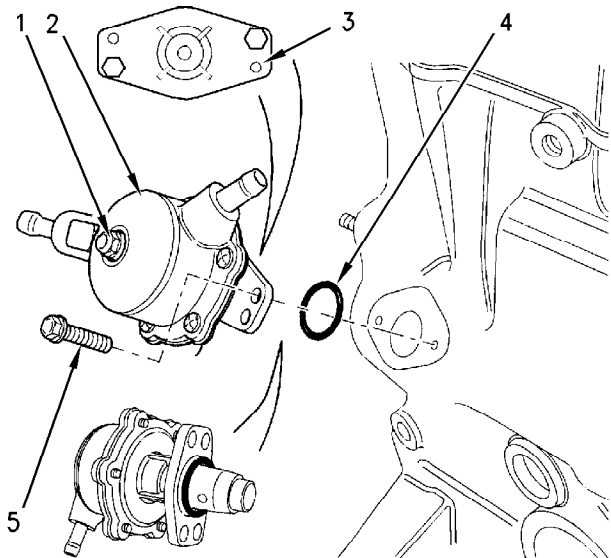


Illustration 11
Typical example g00819278

(1) Torque for the adjustment screw for the fuel priming pump 2.5 N·m ((22 lb in))

(2) Fuel priming pump

(3) Flange for the fuel priming pump

Note: The fuel inlet for the fuel priming can be rotated 360 degrees. The fuel inlet is adjustable in 15 degree increments.

Note: The flange of the fuel priming pump has two sets of locating holes. The two sets of locating holes allow the fuel priming pump to be mounted in four positions for the outlet connection.

(4) O-ring

(5) Tighten the mounting bolts to the following torque.
. 9 N·m ((80 lb in))

i08138574

i08138612

Lifter Group

Rocker Shaft

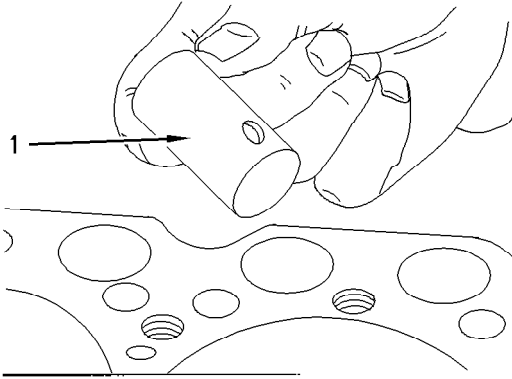


Illustration 12

g00692979

Typical example

Clearance between the lifter and the bore in the engine for the lifter

Standard maximum clearance	
402J-05, and 403J-07	0.053 mm (0.0021 inch)
403J-11, 403J-11T, 403J-15, 403J-17, and 403J-17T	0.058 mm (0.0023 inch)
Repair limit for all engines	0.080 mm (0.0031 inch)

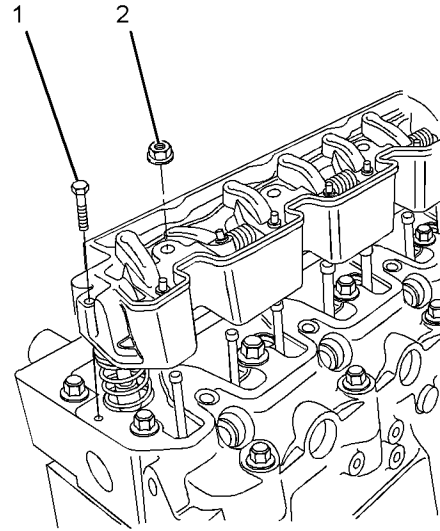


Illustration 13

g01440959

Typical example

Note: Before assembly, lubricate the components with clean engine oil.

(1) Torque for the setscrews

All models 10 N·m ((89 lb in))

(2) Torque for the nuts

402J-05 and 403J-07 10 N·m ((89 lb in))

403J-11, 403J-11T, 403J-15, 403J-17, and 403J-17T 23 N·m ((204 lb in))

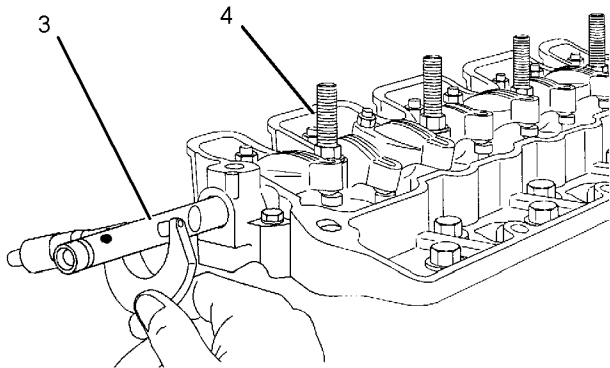


Illustration 14 g01440976

Typical example

(3) Rocker shaft

Diameter of the rocker shaft for the 402J-05 and 403J-07 engines 9.95 to 9.968 mm ((0.3917 to 0.3924 inch))

Service limit 9.87 mm ((0.3886 inch))

Diameter of the rocker shaft for the 403J-11 and 403J-11T engines 11.65 to 11.67 mm ((0.4587 to 0.4595 inch))

Service limit 11.57 mm ((0.4555 inch))

Diameter of the rocker shaft for the 403J-15, 403J-17 and 403J-17T engines 14.95 to 14.97 mm ((0.5886 to 0.5894 inch))

Service limit 14.87 mm ((0.5854 inch))

(4) Torque for the studs

402J-05 and 403J-07 engines 10 N·m ((89 lb in))

403J-11 and 403J-11T engines 26 N·m ((230 lb in))

403J-15, 403J-17 and 403J-17T engines 56 N·m ((41 lb ft))

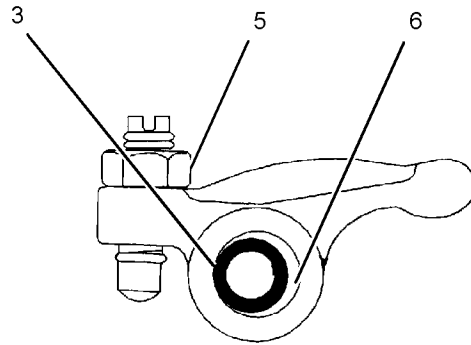


Illustration 15 g01440948

(5) Torque for the locknut. 14 N·m ((10 lb ft))

(6) Rocker arm clearance on the rocker shaft

Minimum permissible clearance for the 402J-05 and 403J-07 engines 0.032 to 0.065 mm ((0.00126 to 0.00260 inch))

Minimum permissible clearance for the 403J-11 and 403J-11T engines 0.032 to 0.068 mm ((0.00126 to 0.00268 inch))

Minimum permissible clearance for the 403J-15, 403J-17 and 403J-17T engines 0.030 to 0.093 mm ((0.00120 to 0.00366 inch))

Maximum permissible clearance (All models) 0.2 mm ((0.008 inch))

i08138620

i08138628

Valve Mechanism Cover

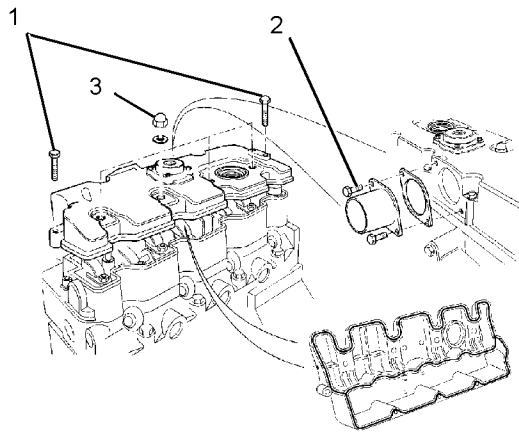


Illustration 16
Typical example

- (1) Torque for the setscrews for the valve mechanism cover
- All models 10 N·m ((89 lb in))
- (2) Torque for the setscrews for the connector on the inlet manifold
- All models 14 N·m ((10 lb ft))
- (3) Torque for the cap nuts for the valve mechanism cover
- 402J-05, 403J-07, 403J-11, and 403J-11T engines 10 N·m ((89 lb in))
- 403J-15, 403J-17, and 403J-17T engines 14 N·m ((10 lb ft))

Cylinder Head Valves

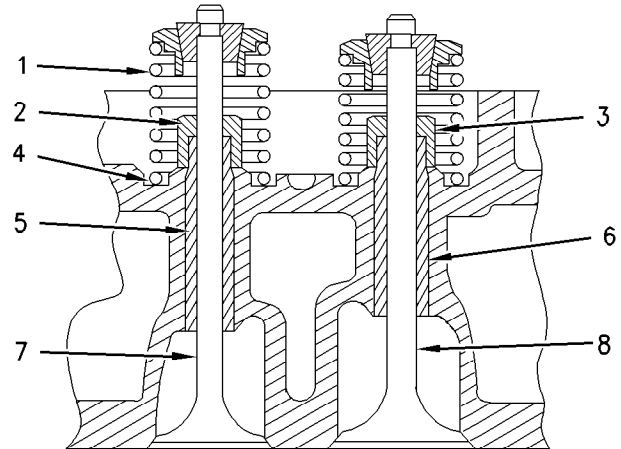


Illustration 17
Typical example

- (1) Valve spring
- Standard free length for 402J-05 and 403J-07 33 mm ((1.2992 inch))
- Standard free length for 403J-11, 403J-11T, 403J-15, 403J-17, and 403J-17T 35 mm ((1.378 inch))
- Service limit for the standard free length for 402J-05, and 403J-07 31.5 mm ((1.2402 inch))
- Service limit for the standard free length for 403J-11, 403J-11T, 403J-15, 403J-17, and 403J-17T 33.5 mm ((1.319 inch))
- Standard test force for 402J-05, and 403J-07 68 N ((15.3 lb))
- Standard test force for 403J-11, 403J-11T, 403J-15, 403J-17, and 403J-17T 79 N ((17.8 lb))
- Service limit for the standard test force for 402J-05, and 403J-07 59 N ((13.3 lb))
- Service limit for the standard test force for 403J-11, 403J-11T, 403J-15, 403J-17, and 403J-17T 68.6 N ((15.4 lb))

Length under test force for 402J-05, and 403J-07
28.3 mm ((1.1142 inch))

Length under test force for 403J-11, 403J-11T,
 403J-15, 403J-17, and 403J-17T..... 30.4 mm
 ((1.197 inch))

(2) Valve guide seal for the exhaust valve

Identification Black garter spring
 Label on the black garter spring "EX"

(3) Valve guide seal for the inlet valve

Identification Silver garter spring

(4) Valve spring recess for the valve spring

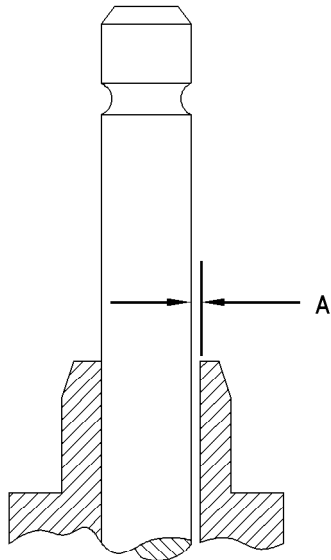


Illustration 18

g00903744

(5) Exhaust valve guide

(A) Clearance between the exhaust valve and the
 valve guide

402J-05, 403J-07, 403J-11, and 403J-11T
 0.045 to 0.072 mm ((0.0020 to 0.0030 inch))

403J-15, 403J-17 and 403J-17T
 0.050 to 0.075 mm ((0.0020 to 0.0030 inch))

Service limit (All models) 0.25 mm
 ((0.010 inch))

(6) Inlet valve guide

(A) Clearance between the inlet valve and the valve
 guide

402J-05, 403J-07, 403J-11, and 403J-11T
 0.025 to 0.052 mm ((0.0010 to 0.0020 inch))

403J-15, 403J-17 and 403J-17T
 0.030 to 0.060 mm ((0.0012 to 0.0024 inch))

Service limit (All models) .. 0.2 mm ((0.008 inch))

(7) Exhaust valve stem

Diameter of the exhaust valve stem for 402J-05
 and 403J-07..... 5.940 to 5.955 mm
 ((0.2339 to 0.2344 inch))

Service limit 5.90 mm ((0.232 inch))

Diameter of the exhaust valve stem for 403J-11,
 403J-11T, 403J-15, 403J-17, and 403J-17T
 6.940 to 6.955 mm ((0.2732 to 0.2738 inch))

Service limit 6.84 mm ((0.269 inch))

(8) Inlet valve stem

Diameter of the inlet valve stem for 402J-05, and
 403J-07 5.960 to 5.975 mm
 ((0.2346 to 0.2352 inch))

Service limit 5.90 mm ((0.232 inch))

Diameter of the inlet valve stem for 403J-11,
 403J-11T, 403J-15, 403J-17, and 403J-17T
 .. 6.955 to 6.970 mm ((0.27382 to 0.27441 inch))

Service limit 6.89 mm ((0.271 inch))

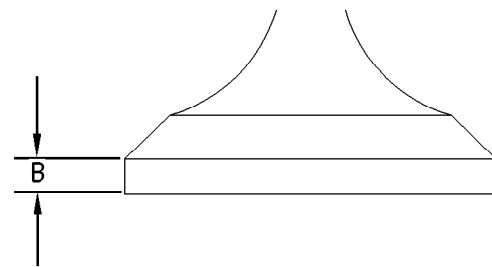


Illustration 19

g00845823

(B) Thickness of the valve head .. 0.925 to 1.075 mm
 ((0.03642 to 0.04232 inch))

Service limit 0.5 mm ((0.020 inch))

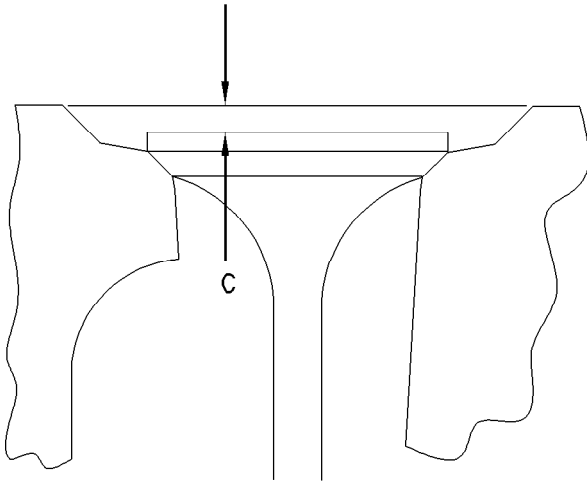


Illustration 20

g00903773

(C) Valve depth below the cylinder head face

Inlet valve for 402J-05, 403J-07, 403J-11, and 403J-11T 0.65 to 0.95 mm ((0.0256 to 0.0374 inch))

Exhaust valve for 402J-05, 403J-07, 403J-11, and 403J-11T 0.85 to 1.15 mm ((0.0335 to 0.0453 inch))

Inlet and exhaust valves for 403J-15, 403J-17 and 403J-17T 0.65 to 0.95 mm ((0.0256 to 0.0374 inch))

Service limit (All models) .. 1.8 mm ((0.071 inch))

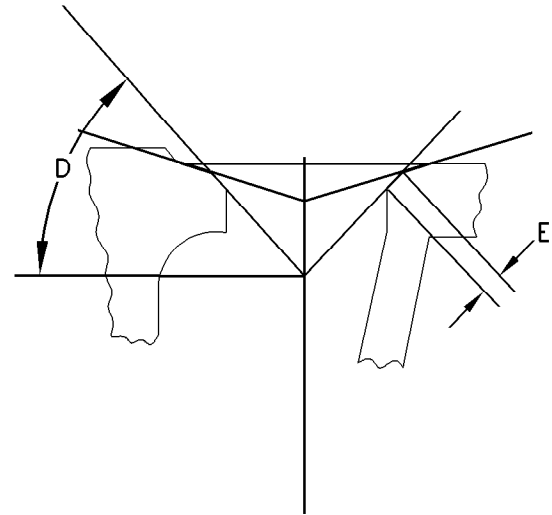


Illustration 21

g00903760

(D) Valve seat angle 45 degrees

(E) Contact face

Inlet valve
402J-05, 403J-07, 403J-11, and 403J-11T 1.70 to 2.10 mm ((0.0670 to 0.0830 inch))

403J-15, 403J-17 and 403J-17T 1.66 to 1.87 mm ((0.0653 to 0.0736 inch))

Service limit (All models) .. 2.5 mm ((0.098 inch))

Exhaust valve
402J-05, 403J-07, 403J-11, and 403J-11T 1.70 to 2.10 mm ((0.0670 to 0.0830 inch))

403J-15, 403J-17 and 403J-17T 1.66 to 1.73 mm ((0.0653 to 0.0681 inch))

Service limit (All models) .. 2.5 mm ((0.098 inch))

i08138633

Cylinder Head

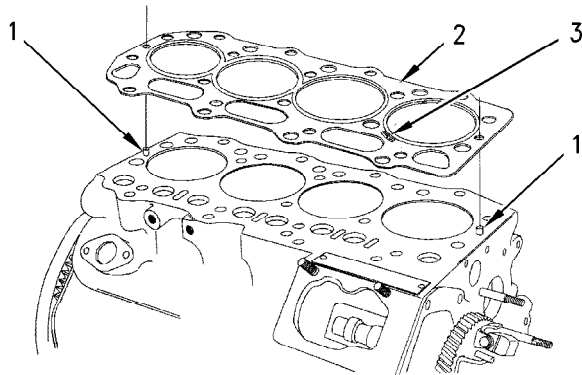


Illustration 22

g00819698

Typical example

(1) Dowel pins

The dowel pins in the cylinder block hold the cylinder head gasket in the correct position when the cylinder head is installed.

(2) Cylinder head gasket

Table 2

Selection of Cylinder Head Gasket for the 402J-05 and 403J-07 Engines	
Piston Height above Top Face of Cylinder Block	Gasket Thickness
0.50 to 0.60 mm (0.01969 to 0.02362 inch)	1.2 mm (0.047 inch)
0.61 to 0.70 mm (0.02402 to 0.02756 inch)	1.3 mm (0.051 inch)

Table 3

Selection of Cylinder Head Gasket for the 403J-11 and 403J-11T Engines	
Piston Height above Top Face of Cylinder Block	Gasket Thickness
0.50 to 0.60 mm (0.01969 to 0.02362 inch)	1.2 mm (0.047 inch)
0.61 to 0.75 mm (0.02402 to 0.02953 inch)	1.3 mm (0.051 inch)

Table 4

Selection of Head Gasket for the 403J-15 Engine	
Piston Height Above Top Face of Cylinder Block	Gasket Thickness
0.60 to 0.70 mm (0.02362 to 0.02756 inch)	1.3 mm (0.051 inch)
0.71 to 0.80 mm (0.02795 to 0.03150 inch)	1.4 mm (0.055 inch)

(Table 4, contd)

0.60 to 0.70 mm (0.02362 to 0.02756 inch)	1.3 mm (0.051 inch)
0.71 to 0.80 mm (0.02795 to 0.03150 inch)	1.4 mm (0.055 inch)

Table 5

Selection of Head Gasket for the 403J-17 and 403J-17T Engines	
Piston Height Above Top Face of Cylinder Block	Gasket Thickness
0.45 to 0.55 mm (0.0177 to 0.0217 inch)	1.3 mm (0.051 inch)
0.56 to 0.70 mm (0.0220 to 0.0276 inch)	1.4 mm (0.055 inch)

(3) The stamped marking on the cylinder head gasket must face upward. This ensures that the cylinder head gasket is installed correctly.

Tightening Procedure for the Cylinder Head

402J-05 Engine

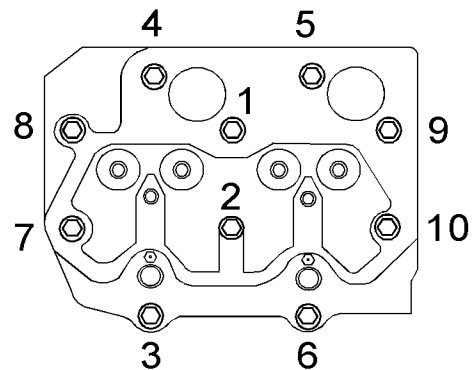


Illustration 23

g01317344

Use the following procedure to tighten the bolts for the cylinder head.

- Put clean engine oil on the threads of the bolts. The bolts are tightened in the numerical sequence that is shown in Illustration 23 .

Torque for bolts

402J-05 37 N·m ((27 lb ft))

- Repeat the procedure in step 1 to ensure that all the bolts are tightened to the correct torque.

(continued)

403J-07, 403J-11, and 403J-11T Engines

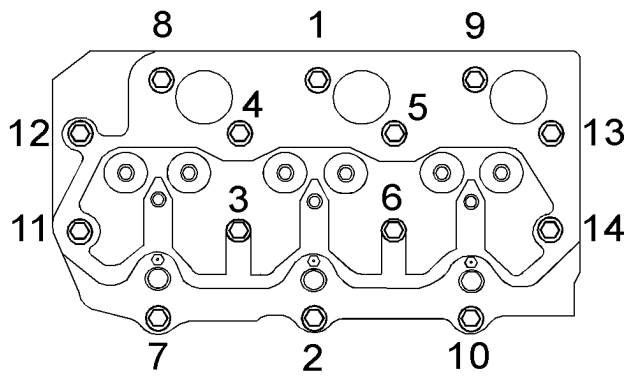


Illustration 24 g01317351

Use the following procedure to tighten the bolts for the cylinder head.

1. Put clean engine oil on the threads of the bolts.
The bolts are tightened in the numerical sequence that is shown in Illustration 26 .

Torque for bolts

403J-07 37 N·m ((27 lb ft))

403J-11 and 403J-11T 50 N·m ((37 lb ft))

2. Repeat the procedure in step 1 to ensure that all the bolts are tightened to the correct torque.

403J-15, 403J-17 and 403J-17T Engines

Type One Cylinder Head Bolts

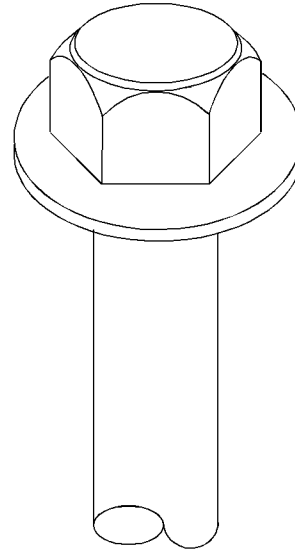


Illustration 25 g06221869

Type One cylinder head bolts

Refer to Disassembly and Assembly for more information on the cylinder head bolts.

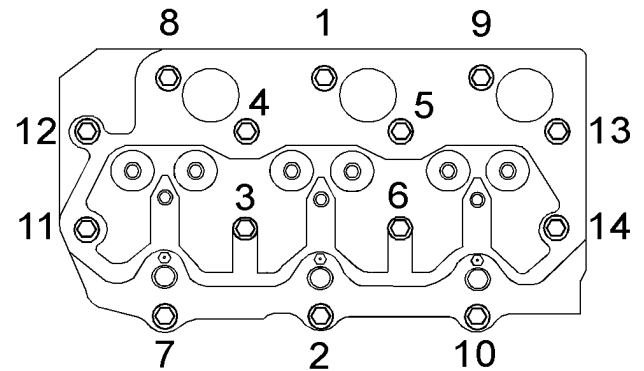


Illustration 26 g01317351

Use the following procedure to tighten the bolts for the cylinder head.

1. Put clean engine oil on the threads of the bolts.
The bolts are tightened in the numerical sequence that is shown in Illustration 26 .

Torque for bolts

403J-15, 403J-17 and 403J-17T 101 N·m ((75 lb ft))

2. Repeat the procedure in step 1 to ensure that all the bolts are tightened to the correct torque.

Type Two Cylinder Head Bolts

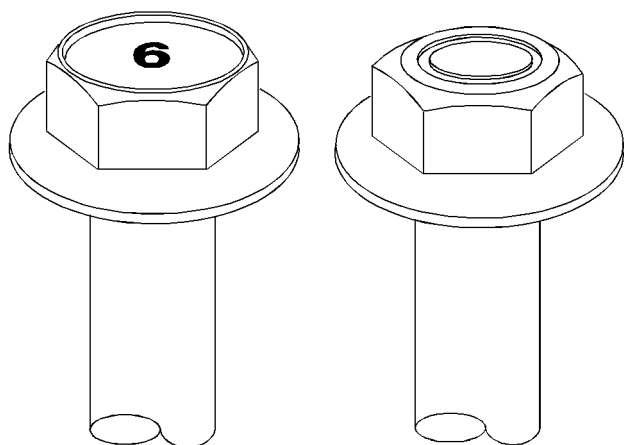


Illustration 27 g06220283

Type Two cylinder head bolts

Refer to Disassembly and Assembly for more information on the cylinder head bolts.

- Put clean engine oil on the threads of the bolts. The bolts are tightened in the numerical sequence that is shown in Illustration 26 .

Torque for bolts

403J-15, 403J-17 and 403J-17T 50 N·m
((37 lb ft))

Tighten the bolts an extra amount . . 150 degrees

- Repeat the procedure in step 1 to ensure that all the bolts are tightened to the correct torque.

Measuring the Distortion of the Cylinder Head

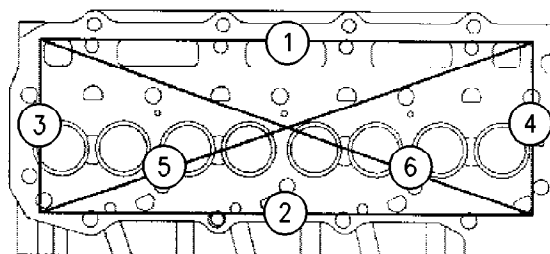


Illustration 29 g00900977

Typical example

Distortion of the cylinder head 0.00 to 0.05 mm
((0.000 to 0.002 inch))

Maximum service limit 0.12 mm ((0.005 inch))

Maximum limit for regrinding the cylinder head
. 0.15 mm ((0.006 inch))

Note: Use a straight edge and a feeler gauge to check the six positions for distortion.

Refer to Systems Operation, Testing and Adjusting, "Cylinder Head - Inspect" for the procedures for measuring the cylinder head.

i08138651

Turbocharger

The movement for the rod actuator. 2 mm
((0.07874 inch))

Note: The pressure for the wastegate is detailed in table 6 .

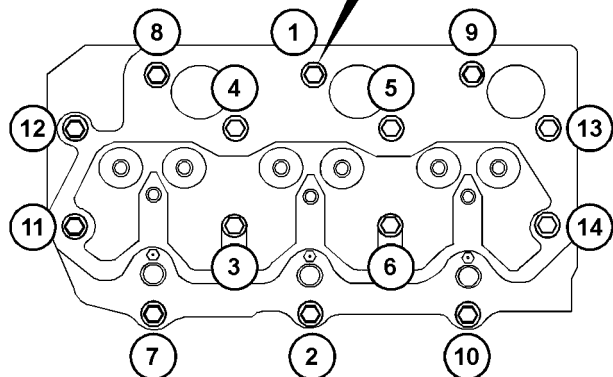
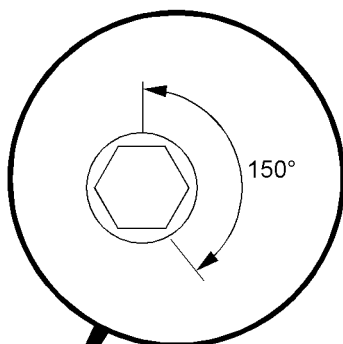


Illustration 28 g06221839

Use the following procedure to tighten the bolts for the cylinder head.

Table 6

Sales Model	The pressure for the wastegate
403J-11T	93 kPa (13.5 psi)
403J-17T	40 kPa (5.8 psi)

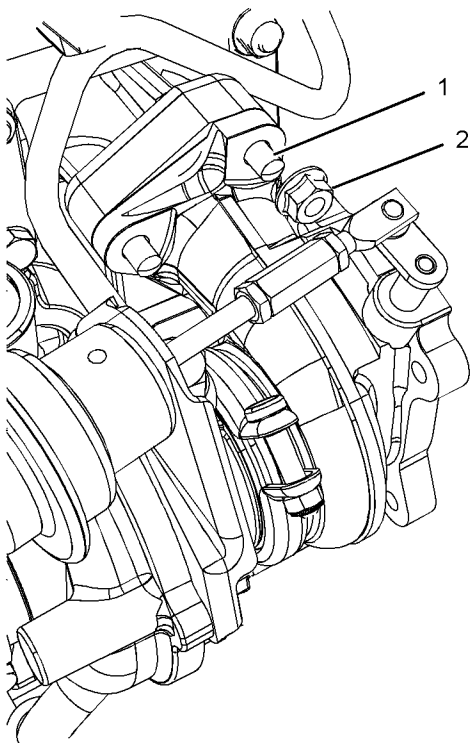


Illustration 30 g03792521

Typical example

- (1) Tighten the studs to the following torque.
 11 N·m ((97 lb in))
- (2) Tighten the nuts to the following torque. . . 25 N·m
 ((221 lb in))

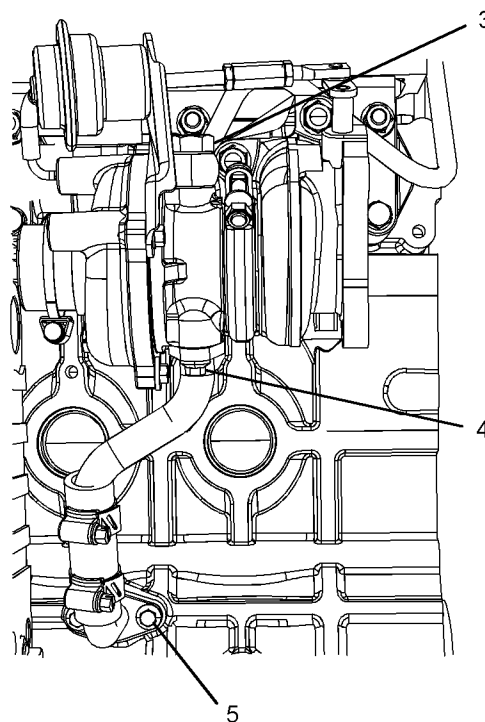


Illustration 31 g06177598

Typical example

- (3) For 403J-11T engines, tighten the bolt to the following torque..... 15 N·m ((133 lb in))
- (3) For 403J-17T engines, tighten the bolt to the following torque..... 21 N·m ((186 lb in))
- (4) (5) Tighten the bolts to the following torque.
 10 N·m ((89 lb in))

i08156299

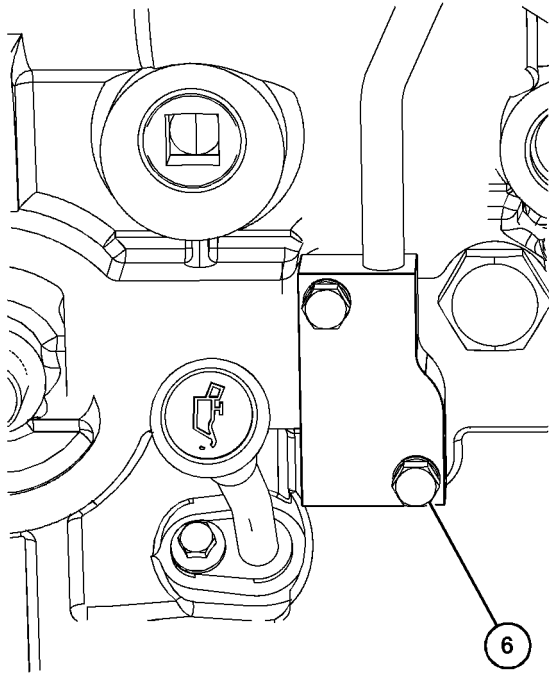


Illustration 32 g06177605
Typical example

(6) For 403J-17T engines, tighten the bolts to the following torque..... 10 N·m ((89 lb in))

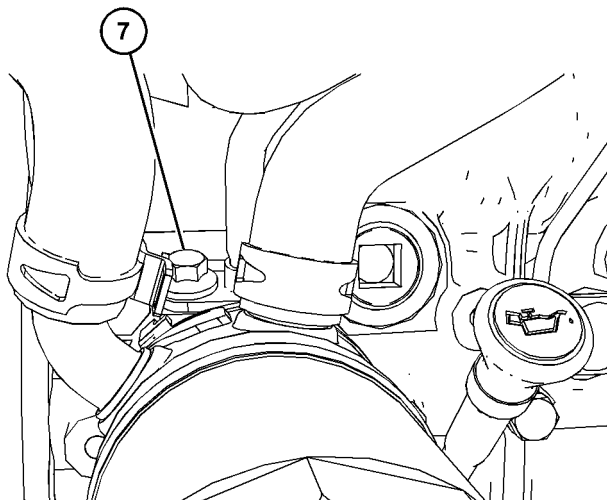


Illustration 33 g06594233
Typical example

(7) For 403J-11T engines, tighten the bolt to the following torque..... 25 N·m ((221 lb in))

Exhaust Manifold

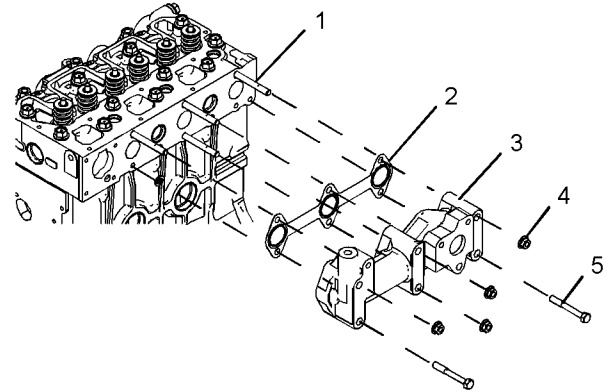


Illustration 34 g06177562
Typical example

(1) Tighten the M6 studs for the exhaust manifold to the following torque..... 5 N·m ((44 lb in))

(1) Tighten the M8 studs for the exhaust manifold to the following torque..... 11 N·m ((97 lb in))

(2) Gasket

(3) Exhaust manifold

i08138662

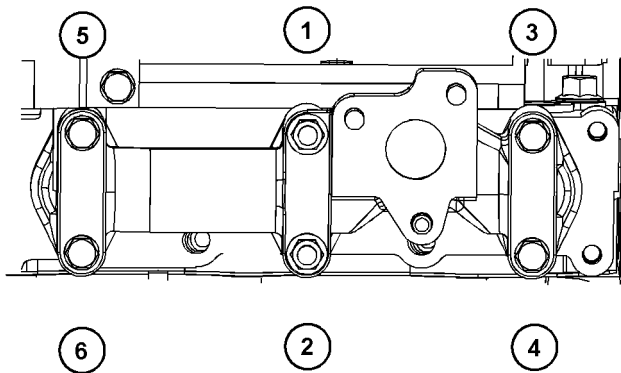


Illustration 35 g06569168

Tightening sequence

(4) (5) Tighten the M6 nuts and bolts for the exhaust manifold in the sequence shown in illustration 35 to the following torque..... 10 N·m ((89 lb in))

(4) (5) Tighten the M8 nuts and bolts for the exhaust manifold in the sequence shown in illustration 35 to the following torque..... 25 N·m ((221 lb in))

Camshaft

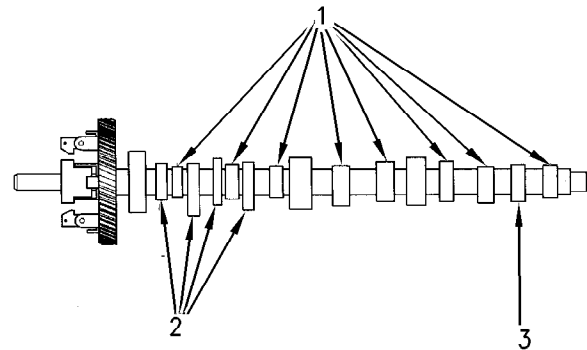


Illustration 36 g00819857

Typical example

(1) Height of the camshaft lobe for the inlet and exhaust valves

402J-05, 403J-07, 403J-11, and 403J-11T
..26.955 to 27.010 mm ((1.0612 to 1.0634 inch))

403J-15, 403J-17 and 403J-17T
..34.453 to 34.507 mm ((1.3564 to 1.3585 inch))

Service limit

402J-05, 403J-07, 403J-11, and 403J-11T
..... 26.5 mm ((1.0430 inch))

403J-15, 403J-17 and 403J-17T 33.7 mm
((1.3270 inch))

(2) Height of the camshaft lobe for the fuel injection pump

402J-05, 403J-07, 403J-11, and 403J-11T
..39.900 to 40.100 mm ((1.5709 to 1.5787 inch))

403J-15, 403J-17 and 403J-17T
..41.940 to 42.060 mm ((1.6512 to 1.6559 inch))

Service limit

402J-05, 403J-07, 403J-11, and 403J-11T
..... 39.8 mm ((1.5669 inch))

403J-15, 403J-17 and 403J-17T 41.8 mm
((1.6450 inch))

(3) Height of the camshaft lobe for the fuel priming pump

402J-05, 403J-07, 403J-11, and 403J-11T
 . . 27.900 to 28.000 mm ((1.0984 to 1.1024 inch))

403J-15, 403J-17 and 403J-17T
 . . 31.900 to 32.000 mm ((1.2559 to 1.2598 inch))

Service limit

402J-05, 403J-07, 403J-11, and 403J-11T
 27.0 mm ((1.0630 inch))

403J-15, 403J-17 and 403J-17T 30.0 mm
 ((1.1810 inch))

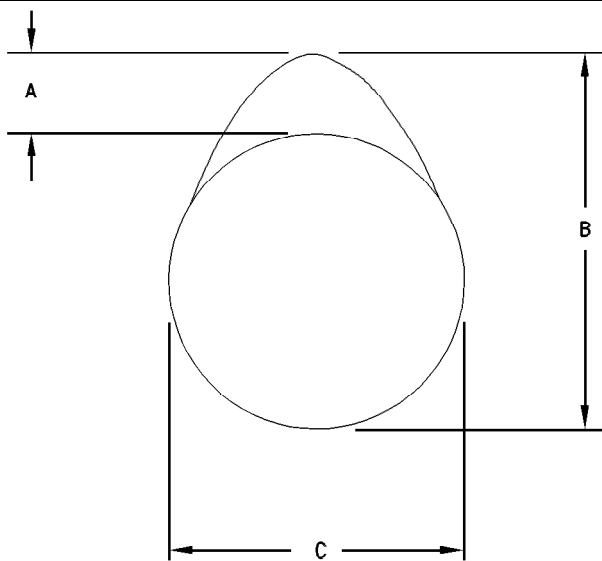


Illustration 37

g00295323

- (A) Actual camshaft lobe lift
- (B) Height of the camshaft lobe
- (C) Base circle

To determine the lobe lift, use the procedure that follows:

1. Measure the height of the camshaft lobe (B).
2. Measure the base circle (C).
3. Subtract the base circle that is found in Step 2 from the height of the camshaft lobe that is found in Step 1. The difference is the actual camshaft lobe lift.

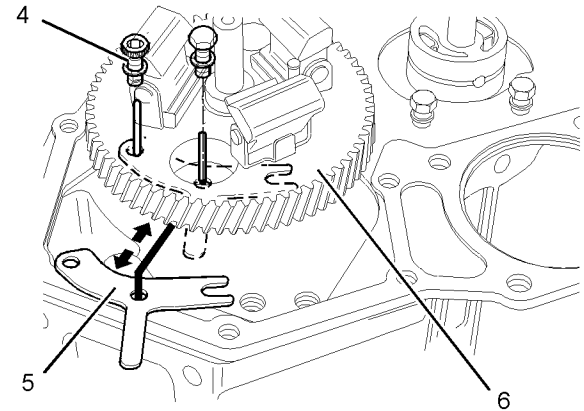


Illustration 38

g01297670

Typical example

- (4) Tighten the setscrews for the retainer plate for the camshaft to the following torque. . 10 N·m ((89 lb in))
- (5) Retainer plate for the camshaft
- (6) Camshaft gear

i06942840

Engine Oil Lines

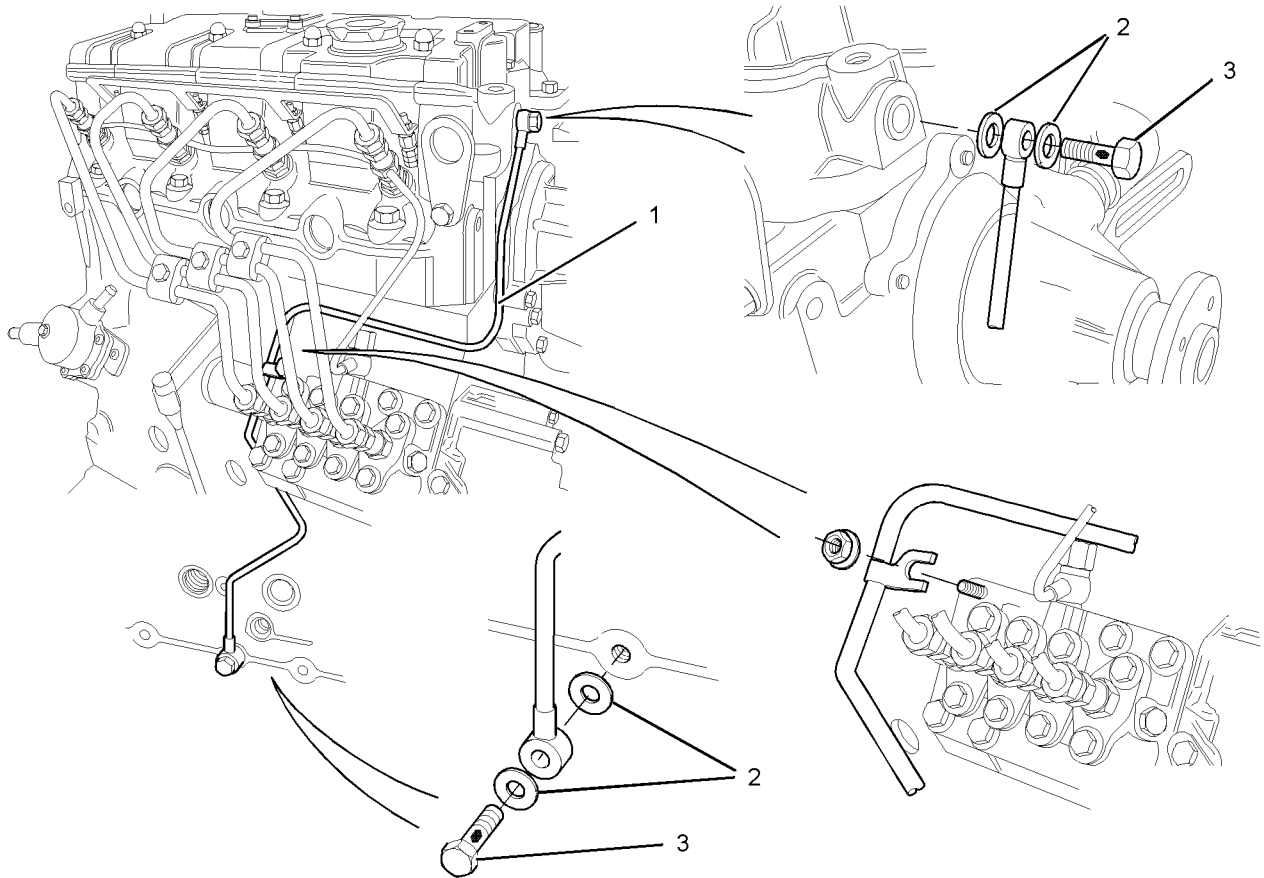


Illustration 39

Typical example

g01093847

(1) Engine oil line

(2) Washers

Note: The washers must be replaced with new washers when the engine oil line is removed.

(3) Torque for the banjo bolts. . . . 12 N·m ((106 lb in))

i08138697

Engine Oil Relief Valve

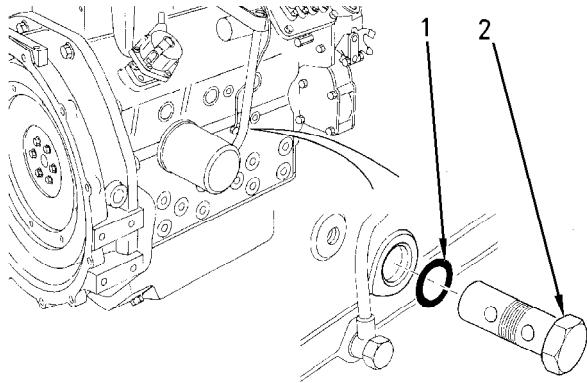


Illustration 40 g00820218

Typical example

Note: When the engine oil relief valve is installed, ensure that all components are clean. Lightly lubricate all components with clean engine oil.

(1) A new O-ring should be used when the engine oil relief valve is installed.

(2) Tighten the engine oil relief valve to the following torque..... 50 N·m ((37 lb ft))

The engine oil pressure at the engine oil relief valve is the following value.

402J-05, and 403J-07 352 to 448 kPa ((51 to 65 psi))

403J-11 and 403J-11T 304 to 500 kPa ((44 to 73 psi))

403J-15, 403J-17 and 403J-17T 262 to 359 kPa ((38 to 52 psi))

Note: Always remove the engine oil relief valve before removing or installing the crankshaft. Damage to the engine oil relief valve or damage to the crankshaft may occur.

i05164987

Engine Oil Pump

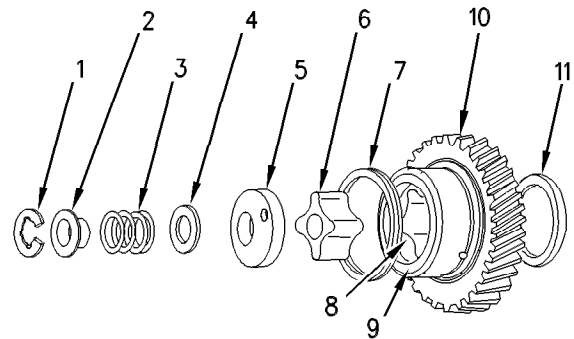


Illustration 41 g00458938

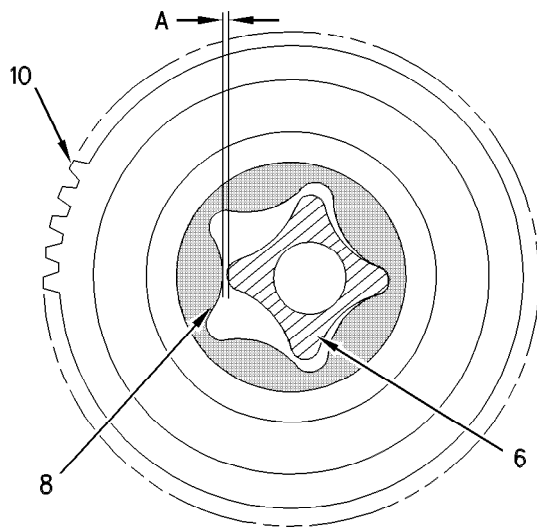
Idler gear and components of the engine oil pump

Type Gerotor pump

- (1) Circlip
- (2) Collar
- (3) Spring
- (4) Shim
- (5) Oil pump cover
- (6) Inner rotor
 - Number of lobes 4
- (7) Spring
- (8) Outer rotor
 - Number of lobes 5

NOTICE

If the front housing is not installed, do not turn the crankshaft. Damage to the engine may occur.



between C-clip (1) and collar (2) must not exceed the following distance. 0.10 to 0.15 mm ((0.004 to 0.006 inch))

Service limit 0.20 mm ((0.008 inch))

The distance between the faces is adjusted with shims (4). The following sizes of shims are available:

- 0.10 mm
- 0.15 mm
- 0.20 mm
- 0.50 mm

Illustration 42

g00459701

(A) Clearance between the inner rotor and the outer rotor is the following value. 0.01 to 0.15 mm ((0.0004 to 0.006 inch))

Service Limit 0.25 mm ((0.0098 inch))

(9) Bushing

(10) Idler gear

(11) Thrust washer

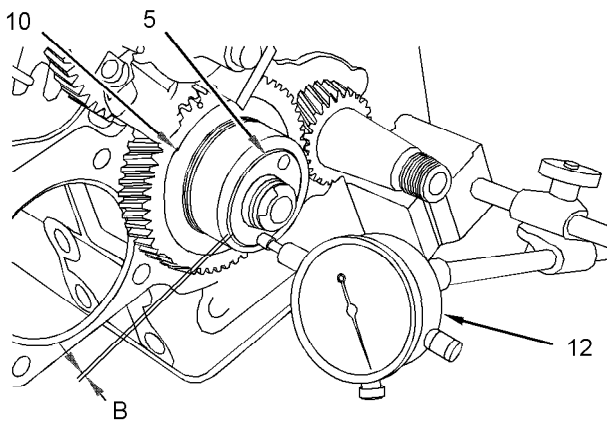


Illustration 43

g01088627

(12) Dial indicator

(B) When the components of the oil pump are installed on the front housing, measurement (B)

i02586871

Engine Oil Pan

(3) Tighten the bolts for the oil strainer to the following torque. 11 N·m ((8 lb ft))

(4) Strainer

Note: Install a new O-ring (1) in the hole of the cylinder block when the oil suction tube is removed or replaced.

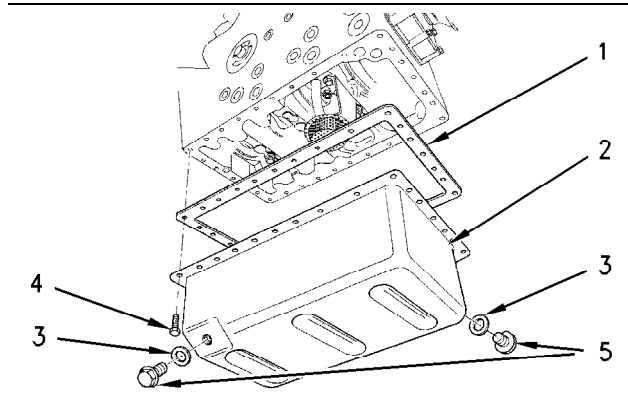


Illustration 44

g00820013

(1) Gasket

(2) Engine oil pan

(3) Washer

(4) Tighten the bolts for the engine oil pan to the following torque. 11 N·m ((8 lb ft))

(5) Tighten the drain plugs of the engine oil pan to the following torque. 35 N·m ((26 lb ft))

Note: Install a new gasket (1) when the engine oil pan is removed or replaced.

Oil Suction Tube and Oil Strainer

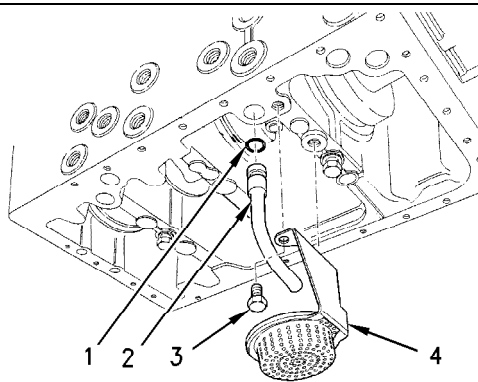


Illustration 45

g00820021

(1) O-ring

(2) Oil suction tube

i08138708

Water Temperature Regulator

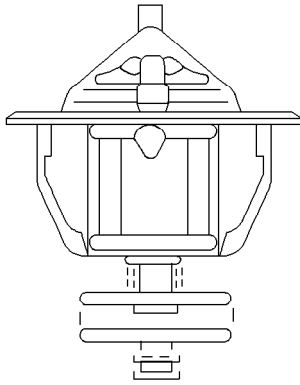


Illustration 46 g00877006
Typical example

Opening temperature of the water temperature regulator

402J-05, 403J-07, 403J-11, and 403J-11T	75 °C ((167 °F))
403J-15, 403J-17 and 403J-17T	80° to 84°C ((176° to 183°F))

Fully open temperature of the water temperature regulator

402J-05, 403J-07, 403J-11, and 403J-11T	87 °C ((189 °F))
403J-15, 403J-17 and 403J-17T	95 °C ((203 °F))

Water Temperature Regulator Housing for 402J-05 and 402J-07 Engines

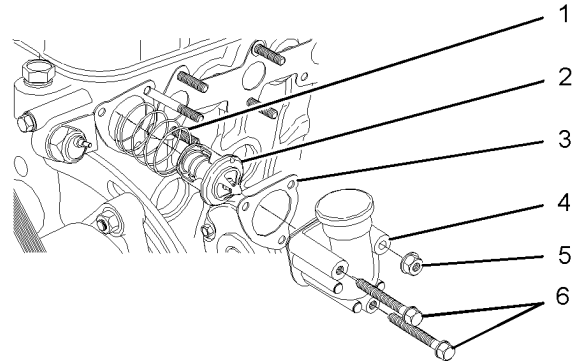


Illustration 47 g01112497
Typical example

- (1) Spring
- (2) Water temperature regulator
- (3) Gasket
- (4) Cover
- (5) Torque for the nut for the water temperature regulator housing 6 N·m ((4.4 lb ft))
- (6) Torque for the two setscrews for the water temperature regulator housing 6 N·m ((4.4 lb ft))

Water Temperature Regulator Housing for 403J-11, 403J-11T, 403J-15, 403J-17 and 403J-17T Engines

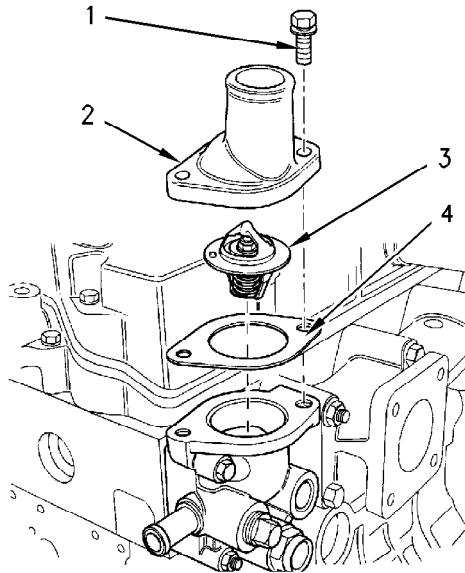


Illustration 48 g00820265
Typical example

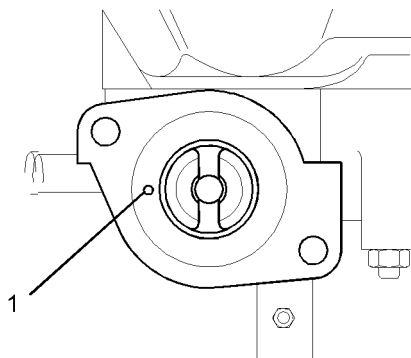


Illustration 49 g01114379
Water temperature regulator for naturally aspirated engines

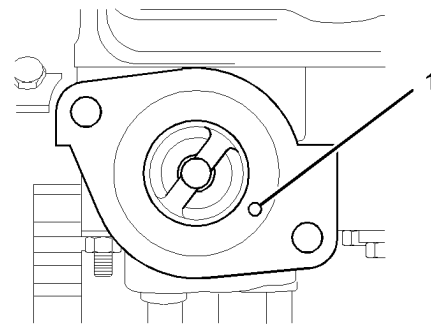


Illustration 50 g01114381

Water temperature regulator for turbocharged engines

Note: Ensure that the water temperature regulator is seated correctly in the housing.

Note: Ensure that the jiggle pin (1) on the water temperature regulator is correctly positioned. Refer to illustrations 49 and 50 .

(1) Torque for the two setscrews for the water temperature regulator housing

403J-11 and 403J-11T engines 6 N·m ((53 lb in))

(1) Torque for the two setscrews for the water temperature regulator housing

403J-15, 403J-17 and 403J-17T engines 14 N·m ((124 lb in))

(2) Cover

(3) Water temperature regulator

(4) Gasket

i08138719

Cylinder Block

Flatness of the top of the cylinder block . . . Less than 0.05 mm (0.002 inch)

Service limit 0.12 mm ((0.005 inch))

Note: Use a straight edge and a feeler gauge to check the six positions for flatness.

Note: The front bush for the crankshaft must be installed with the chamfer toward the cylinder block. Ensure that the oil hole in the front bush for the crankshaft is aligned with the oil hole in the cylinder block.

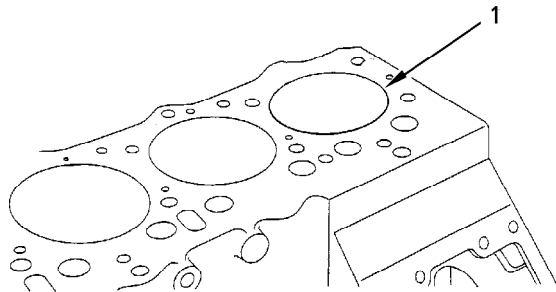


Illustration 51

g00904878

Typical example

(1) Diameter of the bore in the cylinder block

402J-05 and 403J-07 67.000 to 67.019 mm
((2.6378 to 2.6385 inch))

403J-11 and 403J-11T 77.000 to 77.019 mm
((3.0310 to 3.0320 inch))

403J-15, 403J-17 and 403J-17T
. . 84.000 to 84.019 mm ((3.3071 to 3.3078 inch))

Service limit
402J-05 and 403J-07 67.200 mm
((2.6457 inch))

403J-11 and 403J-11T 77.200 mm
((3.0390 inch))

403J-15, 403J-17 and 403J-17T 84.200 mm
((3.3150 inch))

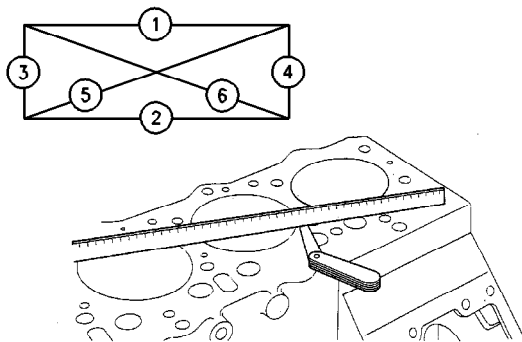


Illustration 52

g00901145

Typical example

i08138728

Crankshaft

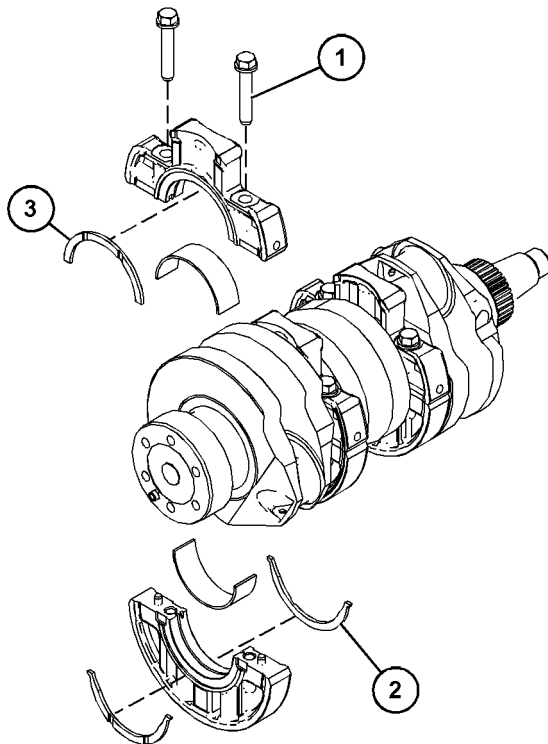


Illustration 53

g06177191

Typical crankshaft for a 3 cylinder engine

(1) Tighten the bolts of the holder for the main bearing to the following torque.

402J-05, 403J-07, 403J-11, and 403J-11T	22 N·m ((195 lb in))
403J-15, 403J-17 and 403J-17T	57 N·m ((42 lb ft))

(2) Thrust washers

402J-05, and 403J-07	Standard thickness 21.85 to 21.95 mm ((0.8602 to 0.8642 inch))	Service limit 21.60 mm ((0.8504 inch))
403J-11	Standard thickness 21.85 to 21.95 mm ((0.8602 to 0.8642 inch))	Service limit 21.60 mm ((0.8504 inch))

403J-11T
Standard thickness 2.75 to 2.80 mm ((0.10827 to 0.11024 inch))

Service limit 2.60 mm ((0.10236 inch))

403J-15, 403J-17 and 403J-17T
Standard thickness 2.95 to 3.00 mm ((0.1161 to 0.1181 inch))

Service limit 2.80 mm ((0.1102 inch))

Note: The thrust washer for the 402J-05, 403J-07, and 403J-11 engines is machined into the holder for the main bearing.

(3) Top thrust washer

Ensure that the oil grooves of all the thrust washers are toward the crankshaft.

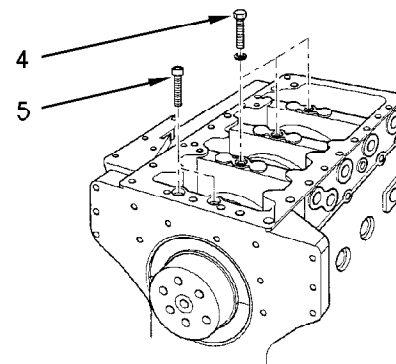


Illustration 54

g00904925

Typical example

(4) Tighten the retaining bolts for the crankshaft to the following torque.

402J-05, 403J-07, and 403J-11	29 N·m ((257 lb in))
403J-11T	10 N·m ((89 lb in))
403J-15, 403J-17 and 403J-17T	57 N·m ((42 lb ft))

(5) Tighten the allen head screws to the following torque. 29 N·m ((257 lb in))

Crankshaft end play for the 402J-05, 403J-07, and 403J-11 engines. 0.10 to 0.30 mm ((0.0040 to 0.0118 inch))

Crankshaft end play for the 403J-11T, 403J-15, 403J-17, and 403J-17T. 0.1 to 0.4 mm ((0.0040 to 0.0158 inch))

Service limit (All models) . . . 0.50 mm ((0.0197 inch))

Note: If the crankshaft end play exceeds the service limit, check the thrust washers for wear.

Refer to Specifications, "Connecting Rod Bearing Journal" for information on the connecting rod bearing journals of the crankshaft.

Refer to Specifications, "Main Bearing Journal" for information on the main bearing journals of the crankshaft.

i08139306

Connecting Rod Bearing Journal

Table 7

Diameter of the 402J-05, and 403J-07 Connecting Rod Bearing Journals		
Journals	Diameter	Service limit
Standard	34.964 to 34.975 mm (1.3765 to 1.3770 inch)	34.9 mm (1.3740 inch)
Undersize 0.25 mm (0.010 inch)	34.714 to 34.725 mm (1.3667 to 1.3671 inch)	34.65 mm (1.3642 inch)
Undersize 0.50 mm (0.020 inch)	34.464 to 34.475 mm (1.3568 to 1.3573 inch)	34.4 mm (1.3543 inch) ⁽¹⁾

⁽¹⁾ If the diameter of the connecting rod bearing journal is less than the maximum undersize service limit, the crankshaft must be replaced.

Table 8

Diameter of the 403J-11 and 403J-11T Connecting Rod Bearing Journals		
Journals	Diameter	Service limit
Standard	40.964 to 40.975 mm (1.61280 to 1.61320 inch)	40.90 mm (1.6102 inch)
Undersize 0.25 mm (0.010 inch)	40.714 to 40.725 mm (1.60290 to 1.60330 inch)	40.65 mm (1.6003 inch)
Undersize 0.50 mm (0.020 inch)	40.464 to 40.475 mm (1.59310 to 1.59350 inch)	40.40 mm (1.5905 inch) ⁽¹⁾

⁽¹⁾ If the diameter of the connecting rod bearing journal is less than the maximum undersize service limit, the crankshaft must be replaced.

Table 9

Diameter of the 403J-15, 403J-17 and 403J-17T Connecting Rod Bearing Journals		
Journals	Diameter	Service limit
Standard	51.964 to 51.975 mm (2.04582 to 2.04626 inch)	51.90 mm (2.0433 inch)
Undersize 0.25 mm (0.010 inch)	51.714 to 51.725 mm (2.03598 to 2.03641 inch)	51.65 mm (2.0335 inch)
Undersize 0.50 mm (0.020 inch)	51.464 to 51.475 mm (2.02614 to 2.02660 inch)	51.40 mm (2.0236 inch) ⁽¹⁾

⁽¹⁾ If the diameter of the connecting rod bearing journal is less than the maximum undersize service limit, the crankshaft must be replaced.

Clearance between the connecting rod bearing and the connecting rod bearing journal

Standard clearance
402J-05 and 403J-07 0.031 to 0.079 mm
((0.00122 to 0.00311 inch))

403J-11 and 403J-11T (Journals 1 and 2)
. 0.035 to 0.083 mm ((0.0014 to 0.0033 inch))

403J-15, 403J-17 and 403J-17T
. . . 0.035 to 0.085 mm ((0.00138 to 0.00335 inch))

Service limit (All models) 0.20 mm
((0.0079 inch))

i08139309

Main Bearing Journal

Table 10

Diameter of 402J-05 Main Bearing Journals			
Size	Journal	Diameter	Service limit
Standard	1	42.964 to 42.975 mm (1.69150 to 1.69193 inch)	42.90 mm (1.6890 inch)
	2	45.948 to 45.959 mm (1.80897 to 1.80941 inch)	45.90 mm (1.8071 inch)

Table 11

Diameter of 403J-07 Main Bearing Journals

(continued)

(Table 11, contd)

Size	Journal	Diameter	Service limit
Standard	1 and 2	42.964 to 42.975 mm (1.69150 to 1.69193 inch)	42.90 mm (1.6890 inch)
	3	45.948 to 45.959 mm (1.80897 to 1.80941 inch)	45.90 mm (1.8071 inch)

Table 12

Diameter of 403J-11 and 403J-11T Main Bearing Journals			
Size	Journal	Diameter	Service limit
Standard	1 and 2	47.964 to 47.975 mm (1.8883 to 1.8888 inch)	47.90 mm (1.8858 inch)
	3	47.954 to 47.965 mm (1.88800 to 1.88830 inch)	47.90 mm (1.8858 inch)

Table 13

Diameter of 403J-15, 403J-17 and 403J-17T Main Bearing Journals		
Journals	Diameter	Service limit
Standard	67.957 to 67.970 mm (2.67550 to 2.67597 inch)	67.90 mm (2.6732 inch)

Clearance between the main bearing and the main bearing journal

Standard clearance

402J-05 and 403J-07 0.035 to 0.088 mm
(0.0014 to 0.0035 inch))

403J-11 and 403J-11T 0.039 to 0.092 mm
(0.0015 to 0.0036 inch))

403J-15, 403J-17 and 403J-17T
. 0.044 mm to 0.102 mm
(0.0017 inch to 0.0040 inch))

Service limit (All models) . . . 0.20 mm ((0.0079 inch))

i08139311

Connecting Rod

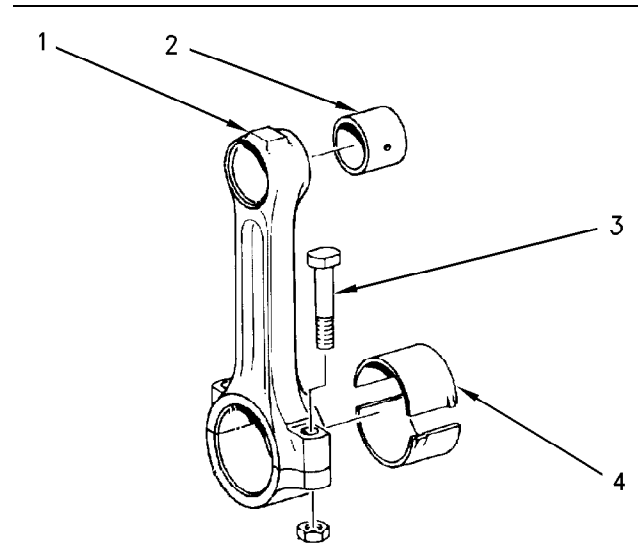


Illustration 55

g00693257

Typical example

(1) Connecting rod

(2) Piston pin bearing

Clearance between the piston pin and the piston pin bearing (All models) 0.010 to 0.025 mm
(0.00040 to 0.00099 inch))

Service limit

402J-05 and 403J-07 engines 0.10 mm
(0.004 inch))

403J-11 and 403J-11T engines 0.08 mm
(0.0031 inch))

403J-15, 403J-17 and 403J-17T engines
. 0.10 mm ((0.004 inch))

(3) Torque for the nut and the bolt

402J-05 and 403J-07 engines 23 N·m
(204 lb in))

403J-11 and 403J-11T engines 32 N·m
(283 lb in))

403J-15, 403J-17 and 403J-17T engines
. 52 N·m ((38 lb ft))

(4) Connecting rod bearing

Clearance between the connecting rod bore and the connecting rod bearing 0.10 to 0.30 mm ((0.004 to 0.012 inch))

Service limit 0.70 mm ((0.0276 inch))

Markings on the Connecting Rod

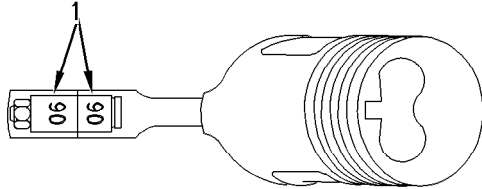


Illustration 56 g00555416

Typical example

The pistons and connecting rods are matched to each cylinder. Note the position of each connecting rod and piston for correct assembly.

Identification marks (1) on the connecting rod and on the connecting rod cap must be matched and aligned. When the connecting rod is installed correctly, the marks should face the right side of the engine.

Refer to Systems Operation, Testing and Adjusting, "Connecting Rod - Inspect" for the procedure to measure distortion and parallelism of the connecting rod.

i08139315

Piston and Rings

Markings on the Piston

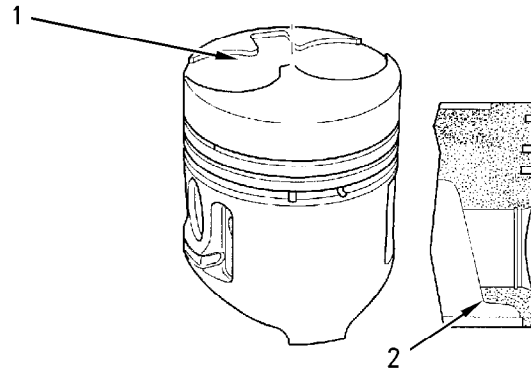


Illustration 57 g00845975

Typical example

(1) The chamber that is on the top of the piston must face the right side of the engine.

(2) An identification mark is located inside the piston.

Piston and Piston Rings

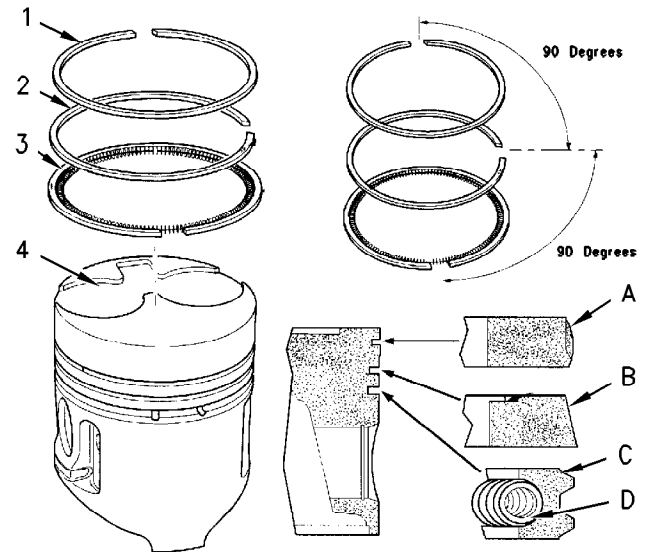


Illustration 58 g00845969

Typical example

Use a feeler gauge to measure the clearance between the piston ring groove and the piston ring. If the clearance is greater than the service limit, use a new piston ring and check the clearance.

If the clearance is within the service limit, renew the piston rings. If the clearance is outside of the service limit, renew the piston.

(1) Top piston ring

Shape of top ring (A)

Naturally aspirated Barrel face

Turbocharged Half keystone

402J-05 and 403J-07

Clearance between piston ring groove and top piston ring 0.06 to 0.10 mm ((0.0024 to 0.0039 inch))

Service limit for clearance of top piston ring 0.25 mm ((0.0098 inch))

Gap of top piston ring 0.13 to 0.28 mm ((0.0051 to 0.0110 inch))

Service limit for gap of top piston ring . . . 1.0 mm ((0.039 inch))

403J-11 and 403J-11T

Clearance between piston ring groove and top piston ring 0.08 to 0.12 mm ((0.0031 to 0.0047 inch))

Service limit for clearance of top piston ring 0.25 mm ((0.0098 inch))

Gap of top piston ring 0.20 to 0.35 mm ((0.0079 to 0.0138 inch))

Service limit for gap of top piston ring . . . 1.0 mm ((0.039 inch))

403J-15, 403J-17 and 403J-17T

Clearance between piston ring groove and top piston ring 0.07 to 0.11 mm ((0.0028 to 0.0043 inch))

Service limit for clearance of top piston ring 0.25 mm ((0.0098 inch))

Gap of top piston ring 0.20 to 0.35 mm ((0.0079 to 0.0138 inch))

Service limit for gap of top piston ring . . . 1.0 mm ((0.039 inch))

Note: Install the letters “T” or “RN” toward the top of the piston. New top piston rings have a red identification mark which must be on the left of the ring gap when the top piston ring is installed on an upright piston.

Note: The top surface of the piston ring should be equally distant from the top face of the cylinder block at all points before the piston ring end gap is measured with a feeler gauge.

(2) Intermediate ring

Shape of intermediate ring (B) Taper

402J-05 and 403J-07

Clearance between piston ring groove and intermediate ring 0.05 to 0.09 mm ((0.0020 to 0.0035 inch))

Service limit for clearance of intermediate ring 0.25 mm ((0.0098 inch))

Gap of intermediate ring 0.10 to 0.25 mm ((0.0039 to 0.0098 inch))

Service limit for gap of intermediate ring 1.0 mm ((0.039 inch))

403J-11

Clearance between piston ring groove and intermediate ring 0.05 to 0.09 mm ((0.0020 to 0.0035 inch))

Service limit for clearance of intermediate ring 0.25 mm ((0.0098 inch))

Gap of intermediate ring 0.20 to 0.35 mm ((0.0079 to 0.0138 inch))

Service limit for gap of intermediate ring 1.0 mm ((0.039 inch))

403J-11T

Clearance between piston ring groove and intermediate ring 0.05 to 0.09 mm ((0.0020 to 0.0035 inch))

Service limit for clearance of intermediate ring 0.25 mm ((0.0098 inch))

Gap of intermediate ring 0.5 to 0.65 mm ((0.01969 to 0.02559 inch))

Service limit for gap of intermediate ring 1.0 mm ((0.039 inch))

403J-15, 403J-17 and 403J-17T

Clearance between piston ring groove and intermediate ring 0.04 to 0.08 mm ((0.0016 to 0.0032 inch))

Service limit for clearance of intermediate ring 0.25 mm ((0.0098 inch))

Gap of the intermediate ring 0.2 to 0.4 mm ((0.0079 to 0.0157 inch))

Service limit for gap of intermediate ring 1.2 mm ((0.047 inch))

Note: Install the word “Top” toward the top of the piston. New intermediate rings have a green or yellow identification mark which must be on the left of the ring gap when the intermediate ring is installed on an upright piston.

Specifications Section

Note: The top surface of the piston ring should be equally distant from the top face of the cylinder block at all points before the piston ring end gap is measured with a feeler gauge.

(3) Oil control ring

402J-05, and 403J-07

Clearance between piston ring groove and oil control ring 0.02 to 0.06 mm
((0.0008 to 0.0024 inch))

Service limit for clearance of oil control ring 0.15 mm ((0.0059 inch))

Gap of oil control ring 0.10 to 0.30 mm
((0.0039 to 0.0118 inch))

Service limit for gap of oil control ring . . . 1.0 mm
((0.039 inch))

403J-11 and 403J-11T

Clearance between piston ring groove and oil control ring 0.02 to 0.06 mm
((0.0008 to 0.0024 inch))

Service limit for clearance of oil control ring 0.15 mm ((0.0059 inch))

Gap of oil control ring 0.15 to 0.35 mm
((0.0059 to 0.0138 inch))

Service limit for gap of oil control ring . . . 1.0 mm
((0.039 inch))

403J-15, 403J-17 and 403J-17T

Clearance between piston ring groove and oil control ring 0.02 to 0.06 mm
((0.0008 to 0.0024 inch))

Service limit for clearance of oil control ring 0.15 mm ((0.0059 inch))

Gap of oil control ring 0.25 to 0.50 mm
((0.0098 to 0.0197 inch))

Service limit for gap of oil control ring . . . 1.0 mm
((0.039 inch))

The oil control ring has two components. The two components of the oil control ring are installed in the following order.

1. Spring (D)

2. Oil control ring (C)

Note: A latch pin is used to hold both ends of the spring of the oil control ring in position. The ends of the spring of the oil control ring must be 180 degrees opposite the end gap of the oil control ring.

Note: The top surface of the piston ring should be equally distant from the top face of the cylinder block at all points before the piston ring end gap is measured with a feeler gauge.

(4) Piston

402J-05 and 403J-07

Diameter of the piston skirt 66.9375 to 66.9525 mm
((2.6353 to 2.6359 inch))

Service limit 66.7 mm ((2.6260 inch))

Clearance of the piston skirt to the cylinder wall 0.048 to 0.082 mm ((0.0019 to 0.0032 inch))

Service limit 0.25 mm ((0.010 inch))

Diameter of the piston pin . . . 18.996 to 19.002 mm ((0.7479 to 0.7481 inch))

Service limit 18.98 mm ((0.7472 inch))

Clearance between the hole for the piston pin and the piston pin 0 to +0.008 mm
((0 to +0.0003 inch))

Service limit 0.02 mm ((0.0008 inch))

403J-11 and 403J-11T

Diameter of the piston skirt for 403J-11 engines . . . 76.932 to 76.947 mm ((3.0288 to 3.0294 inch))

Diameter of the piston skirt for 403J-11T engines 76.904 to 76.936 mm
((3.02771 to 3.02897 inch))

Service limit 76.7 mm ((3.020 inch))

Clearance of the piston skirt to the cylinder wall 0.0525 to 0.0865 mm
((0.00210 to 0.00340 inch))

Service limit 0.25 mm ((0.010 inch))

Diameter of the piston pin . . . 20.996 to 21.002 mm ((0.8266 to 0.8269 inch))

Service limit 20.98 mm ((0.826 inch))

Clearance between the hole for the piston pin and the piston pin +0.008 to +0.020 mm
((+0.00031 to +0.00079 inch))

Service limit 0.02 mm ((0.0008 inch))

403J-15, 403J-17 and 403J-17T

Diameter of the piston skirt . . . 83.948 to 83.963 mm ((3.3050 to 3.3056 inch))

Service limit 83.7 mm ((3.295 inch))

i02613910

Clearance of the piston skirt to the cylinder wall
..... 0.0380 to 0.0720 mm
((0.00150 to 0.00283 inch))

Service limit 0.25 mm ((0.010 inch))

Diameter of the piston pin
.. 27.994 to 28.000 mm ((1.1021 to 1.1024 inch))

Service limit 27.98 mm ((1.1016 inch))

Clearance between the hole for the piston pin
and the piston pin -0.001 to +0.011 mm
((-0.0004 to +0.0004 inch))

Service limit 0.02 mm ((0.0008 inch))

Refer to Specifications, "Cylinder Head" for the piston height for a given gasket thickness.

Housing (Front)

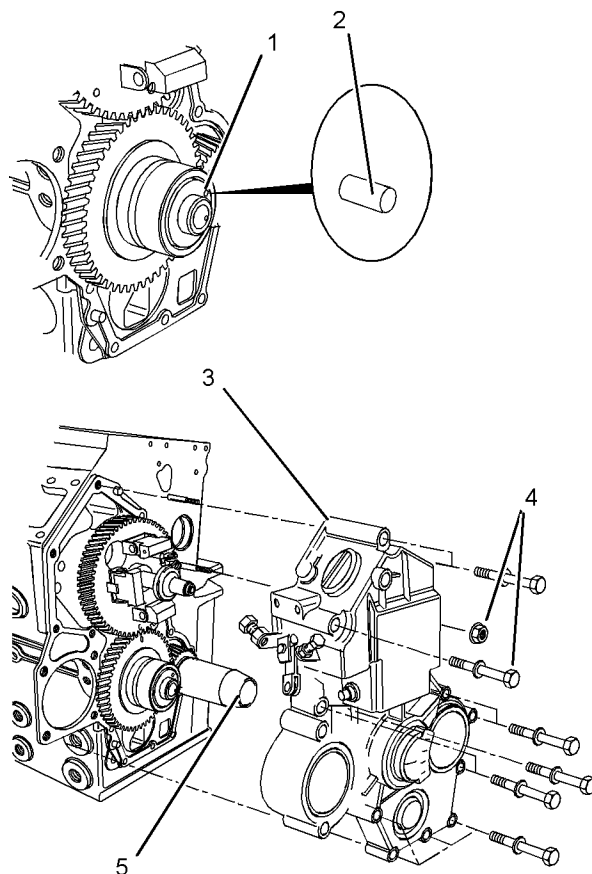


Illustration 59

g01308682

Typical example

- (1) Locator hole
- (2) Locator pin
- (3) Front housing
- (4) Tighten the setscrews and nuts to the following torque. 10 N·m ((7 lb ft))

Note: Note the positions of the setscrews when the bolts are removed. The setscrews have different lengths.

(5) Seal protector

i08142506

Gear Group (Front)

Table 14

Injection timing		
Engine	Maximum rated engine speed	Injection timing (BTDC) ⁽¹⁾
402J-05 Industrial engine	2800	18° ± 1°
402J-05 Industrial engine	3000	20° ± 1°
402J-05 Industrial engine	3600	21° ± 1°
403J-07 Industrial engine	2800	18° ± 1°
403J-07 Industrial engine	3000	20° ± 1°
403J-07 Industrial engine	3600	21° ± 1°
403J-11 Industrial engine	2200	23° ± 1°
403J-11 Industrial engine	2600	24° ± 1°
403J-11 Industrial engine	2800	24° ± 1°
403J-11 Industrial engine	3000	24° ± 1°
403J-11 Industrial engine	3400	23° ± 1°
403J-11 Industrial engine	3600	23° ± 1°
403J-11T Industrial engine	2800	19° ± 1°
403J-15 Industrial engine	2200	22° ± 1°
403J-15 Industrial engine	2400	22° ± 1°
403J-15 Industrial engine	2600	22° ± 1°
403J-15 Industrial engine	2800	22° ± 1°

(Table 14, contd)

403J-15 Industrial engine	3000	22° ± 1°
403J-17 Industrial engine	2400	20° ± 1°
403J-17 Industrial engine	2600	20° ± 1°
403J-17T Industrial engine	2200	15° ± 1°
403J-17T Industrial engine	2800	15° ± 1°

(1) Before Top Dead Center

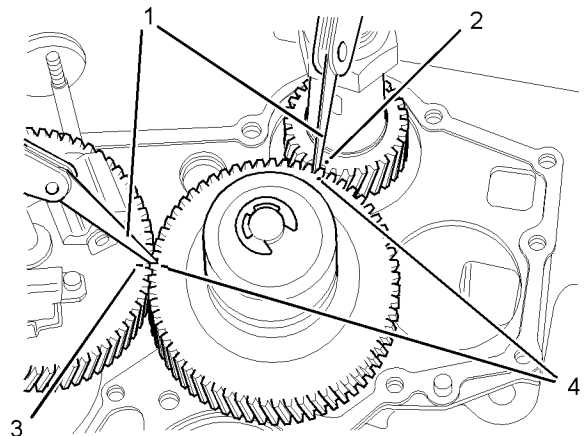


Illustration 60

g01298853

Typical example

- (1) Feeler gauge
- (2) Timing mark on the crankshaft gear
- (3) Timing mark on the camshaft gear
- (4) Timing mark on the idler gear

Minimum backlash for all gears 0.08 mm ((0.003 inch))

Maximum backlash for all gears 0.25 mm ((0.010 inch))

Note: If the backlash is greater than the maximum backlash, replace the camshaft gear, the idler gear, and the crankshaft gear.

(continued)

When the idler gear is installed on the shaft of the oil pump, align a timing mark on idler gear (4) with the timing mark on crankshaft gear (2). Also, align the other timing mark on idler gear (4) with the timing mark on camshaft gear (3).

i02590383

Flywheel

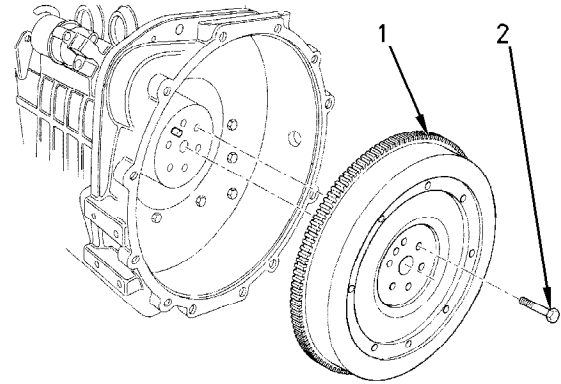


Illustration 61

g00820355

(1) Heat the flywheel ring gear to the following temperature. 120° to 150°C ((248° to 302°F))

Note: If the ring gear is excessively worn, renew the ring gear. If excessive wear is not present, remove the ring gear and install the ring gear at 90 degrees from the original position. Heat the ring gear evenly.

(2) Tighten the setscrews on the flywheel to the following torque. 74 N·m ((55 lb ft))

Maximum flywheel runout . . . 0.20 mm ((0.008 inch))

i08139412

i08139332

Flywheel Housing

Crankshaft Pulley

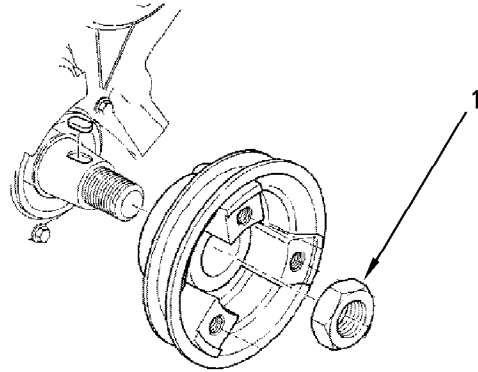
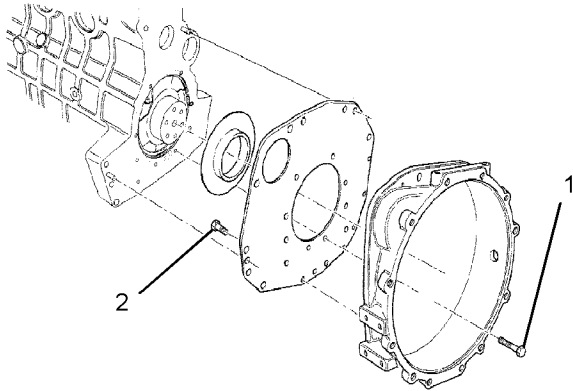


Illustration 62 g01442020

Typical example

- (1) Torque for the setscrews for the back plate
..... 25 N·m ((221 lb in))
- (2) Torque for the setscrews for the flywheel housing
..... 50 N·m ((37 lb ft))

i08229542

Belt Tension Chart

Illustration 63 g00904688

Typical example

- (1) Torque for the crankshaft pulley nut
 - 402J-05 and 403J-07 engines 93 N·m
((69 lb ft))
 - 403J-11 and 403J-11T engines 123 N·m
((91 lb ft))
 - 403J-15, 403J-17 and 403J-17T engines
..... 304 N·m ((224 lb ft))

Table 15

Alternator Belt Tension and Frequency					
Engine Model	Approximate Span (mm)	New belt		Used Belt	
		Frequency (Hz)	Tension (Nm) and (lb)	Frequency (Hz)	Tension (Nm) and (lb)
402-05	188 mm	190-200 Hz	350 to 405 N (79 to 91 lb)	160-170 Hz	267 to 356 N (60 to 80 lb)
403-07	169 mm - 188 mm	190-200 Hz	350 to 405 N (79 to 91 lb)	160-170 Hz	267 to 356 N (60 to 80 lb)
403-11	167 mm - 205 mm	190-200 Hz	400 N (90 lb)	160-170 Hz	300 N (67 lb)
403-15	220 mm - 232 mm	150-170 Hz	400 to 489 N (90 to 110 lb)	130-145 Hz	267 to 356 N (60 to 80 lb)
403-17	215 mm - 225 mm	150-170 Hz	400 to 489 N (90 to 110 lb)	130-145 Hz	267 to 356 N (60 to 80 lb)
404-15	236 mm - 247 mm	190-200 Hz	400 to 489 N (90 to 110 lb)	160-170 Hz	267 to 356 N (60 to 80 lb)
404-22	236 mm - 247 mm	130-150 Hz	400 to 489 N (90 to 110 lb)	110 -130 Hz	267 to 356 N (60 to 80 lb)

Note: The Used Belt Tension refers to a belt that has been in operation for 30 minutes or more at the rated speed.

i02590411

Fan Drive

i08139371

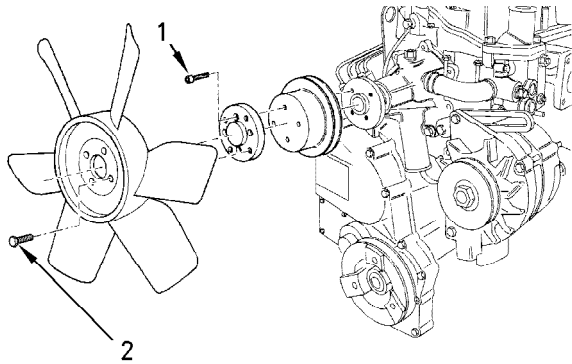


Illustration 64

g00904732

(1) Tighten the allen head screws for the adapter to the following torque. 11 N·m ((8 lb ft))

(2) Tighten the setscrews for the fan to the following torque. 11 N·m ((8 lb ft))

i02590622

Engine Lifting Bracket

All engines are equipped with two engine lifting brackets.

Tighten the setscrew on each engine lifting bracket to the following torque. 26 N·m ((20 lb ft))

Alternator and Regulator

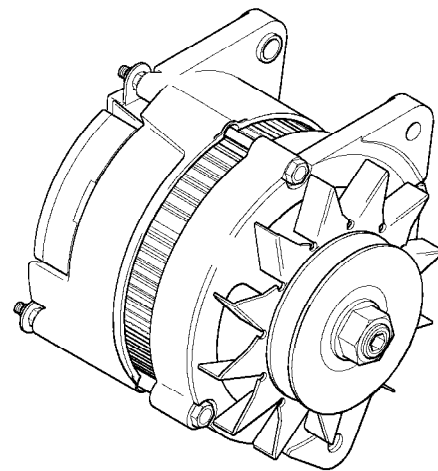


Illustration 65

g00909016

Typical example

The rotation of the alternator is clockwise when the alternator is viewed from the pulley.

The regulator of the alternator is sealed. The regulator is a nonserviceable part.

Polarity Negative ground to the case

Rotation Either direction

Output voltage 14.0 ± 0.5 volts

Rated voltage 12 volts

Rated current output

402J-05, and 403J-07 14 amperes

403J-11 and 403J-11T 15, 40 or 65 amperes

403J-15, 403J-17 and 403J-17T55, 65 or 85 amperes

i08139377

Electric Starting Motor

Starting Motor

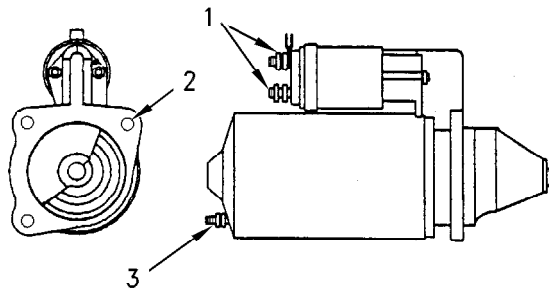


Illustration 66 g00379835

Starting motor and starting motor solenoid

No load conditions at 25°C (77°F)

Rpm with no load	4000 to 6000 rpm
Maximum current540 A
Current draw with no load130 A
Voltage	11.5 V
Rated voltage	12 V

Power rating

402J-05, and 403J-07 Standard	0.8 kW
Option	1.2 kW
403J-11 and 403J-11T Standard	1.4 kW
Option	1.1 kW
403J-15, 403J-17 and 403J-17T	2.0 kW

Minimum average cranking rpm 130

Starting motor solenoid

Pull-in current	54.5 A
Hold-in current	10.5 A

(1) Tighten the battery terminal nut to the following torque. 15 N·m ((133 lb in))

(2) Tighten the two mounting bolts to the following torque. 50 ± 6 N·m ((37 ± 4 lb ft))

(3) Tighten the nut for the switch terminal to the following torque. 1.0 to 1.3 N·m ((9 to 12 lb in))

Maximum resistance of the starter cable at 20°C (68°F) and at 12 V 0.04 ohms

Start Relays

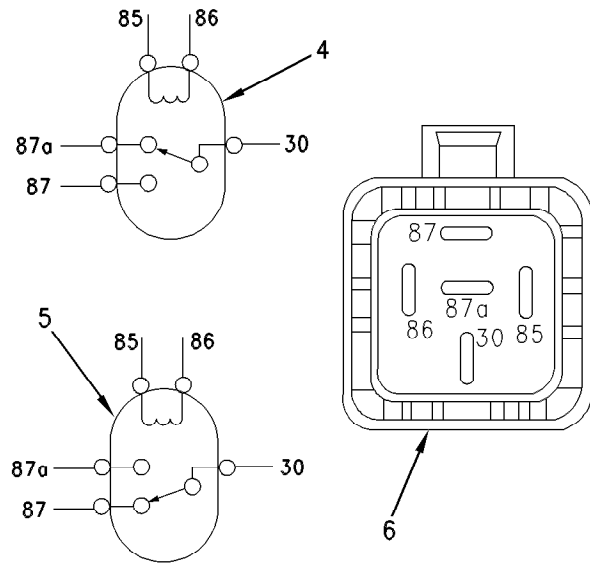


Illustration 67 g00381753

Schematic of the relays

(4) When the ignition switch is in the OFF position or the RUN position, the relay switch is closed across the contact “30” and the contact “87a” .

(5) When the ignition switch is in the START position, the relay switch is closed across the contact “30” and the contact “87” . Then, the starting motor is engaged.

Maximum voltage drop in closed position. . . . 0.150 to 0.250 V

(6) Connector pins on the start relay

Resistance between contact “85” and contact “86” 7.2 ± 0.7 ohms

i08233041

i02590668

Coolant Temperature Sensor

Coolant Temperature Switch

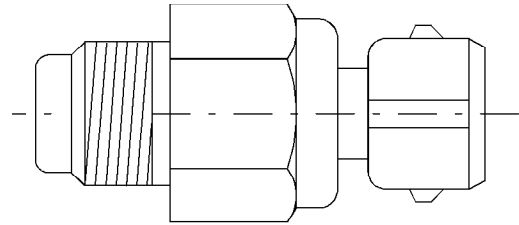
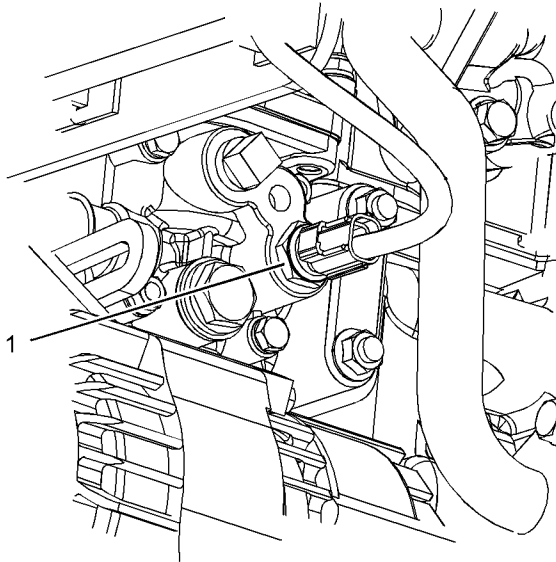


Illustration 68 g03325662
Typical example

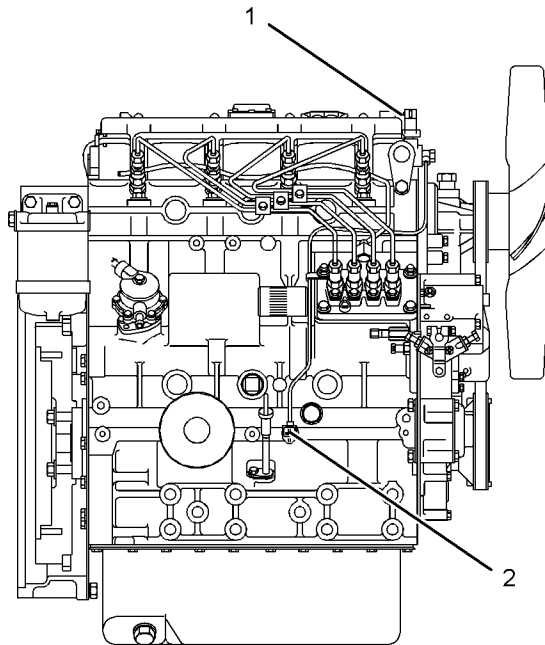
Illustration 69 g01094334
Typical coolant temperature switch

(1) Tighten the coolant temperature sensor to the following torque..... 20 N·m ((177 lb in))

Tighten the coolant temperature switch to the following torque. 27 N·m ((20 lb ft))

i08139381

Engine Oil Pressure Switch



Torque for the engine oil pressure switch
 11 N·m ((97 lb in))
 403J-11 and 403J-11T (Deutsch connector)
 Green sticker with a white dot

402J-05, and 403J-07 (Deutsch connector)
 Green sticker with a red dot

403J-15, 403J-17 and 403J-17T . . . (Amp) Black connector

Pressure rating
 403J-11 and 403J-11T49.0 kPa ((7.11 psi))

402J-05, and 403J-07 68.9 kPa ((10.0 psi))

403J-15, 403J-17 and 403J-17T 68.9 kPa ((10.0 psi))

Illustration 70 g01335504
 Typical example

Note: The engine oil pressure switch can be found in two positions.

(1) Engine oil pressure switch that is on the valve mechanism cover

Torque for the engine oil pressure switch
 11 N·m ((97 lb in))
 403J-11 and 403J-11T (Deutsch connector)
 Green sticker with a white dot

402J-05, 403J-07, 403J-15, 403J-17, and 403J-17T (Amp) Brown connector

Pressure rating
 403J-11 and 403J-11T49.0 kPa ((7.11 psi))

402J-05, 403J-07, 403J-15, 403J-17, and 403J-17T 29.4 kPa ((4.26 psi))

(2) Engine oil pressure switch that is on the cylinder block

i08139390

i08139392

Glow Plugs

Fuel Shutoff Solenoid

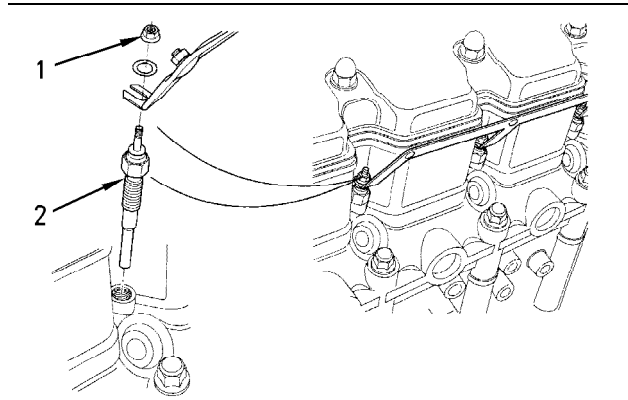


Illustration 71

g00904843

Typical example

- (1) Torque for the nut on the bus bar. 1.2 N·m ((11 lb in))
- (2) Torque for the glow plug. 12 N·m ((106 lb in))

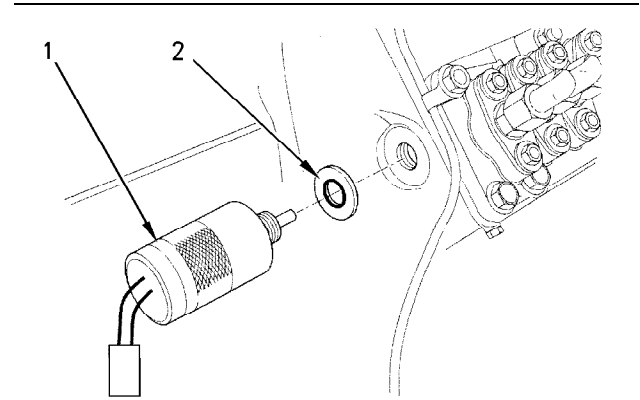


Illustration 72

g00820306

Typical example

- (1) Tighten the fuel shutoff solenoid to the following torque. 26 N·m ((230 lb in))
 - (2) Washer
- Ensure that the washer is replaced with a new washer during the installation of the fuel shutoff solenoid (1).

Index

A

Alternator and Regulator.....40

B

Belt Tension Chart.....38

C

Camshaft.....20
 Connecting Rod.....31
 Markings on the Connecting Rod.....32
 Connecting Rod Bearing Journal.....30
 Coolant Temperature Sensor.....42
 Coolant Temperature Switch.....42
 Crankshaft.....29
 Crankshaft Pulley.....38
 Cylinder Block.....28
 Cylinder Head.....15
 Measuring the Distortion of the Cylinder Head....17
 Tightening Procedure for the Cylinder Head.....15
 Cylinder Head Valves.....12

E

Electric Starting Motor.....40
 Start Relays.....41
 Starting Motor.....41
 Engine Design.....4
 402J-05 Engine.....4
 403J-07 Engine.....4
 403J-11 Engines.....5
 403J-11T Engines.....5
 403J-15 Engine.....6
 403J-17 Engine.....6
 403J-17T Engine.....7
 Engine Lifting Bracket.....40
 Engine Oil Lines.....22
 Engine Oil Pan.....25
 Oil Suction Tube and Oil Strainer.....25
 Engine Oil Pressure Switch.....43
 Engine Oil Pump.....23
 Engine Oil Relief Valve.....22
 Exhaust Manifold.....19

F

Fan Drive.....39
 Flywheel.....37
 Flywheel Housing.....38
 Fuel Injection Lines.....7
 Fuel Injection Pump.....8
 Fuel Injector.....9
 Fuel Shutoff Solenoid.....44
 Fuel Transfer Pump.....9

G

Gear Group (Front).....36
 Glow Plugs.....44

H

Housing (Front).....35

I

Important Safety Information.....2

L

Lifter Group.....10

M

Main Bearing Journal.....30

P

Piston and Rings.....32
 Markings on the Piston.....32
 Piston and Piston Rings.....32

R

Rocker Shaft.....10

S

Specifications Section.....4

T

Table of Contents.....3
 Turbocharger.....17

V

Valve Mechanism Cover.....12

W

Water Temperature Regulator.....26
 Water Temperature Regulator Housing for 402J-05
 and 402J-07 Engines.....26
 Water Temperature Regulator Housing for 403J-
 11, 403J-11T, 403J-15, 403J-17 and 403J-17T
 Engines.....27

M0087375
©2020 Perkins Engines Company Limited
All Rights Reserved