

4

3

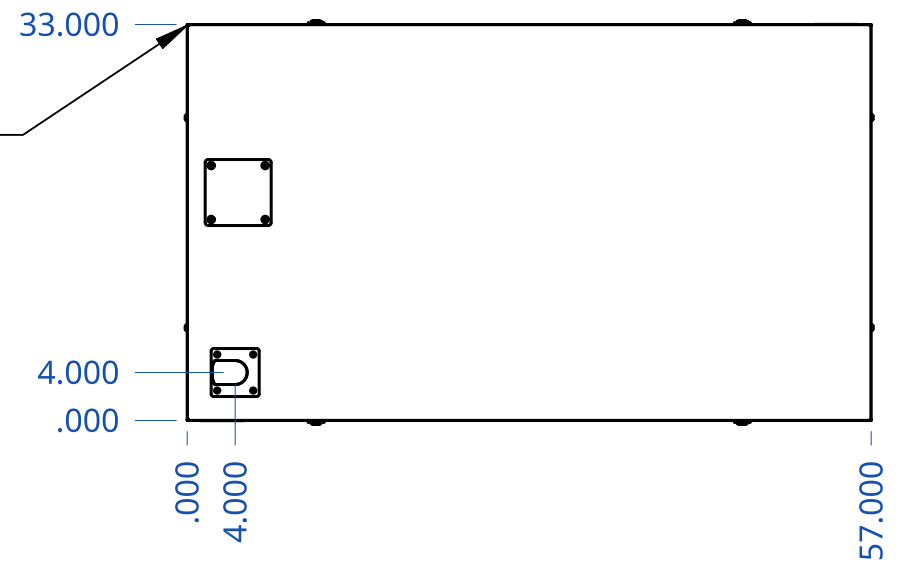
2

1

D

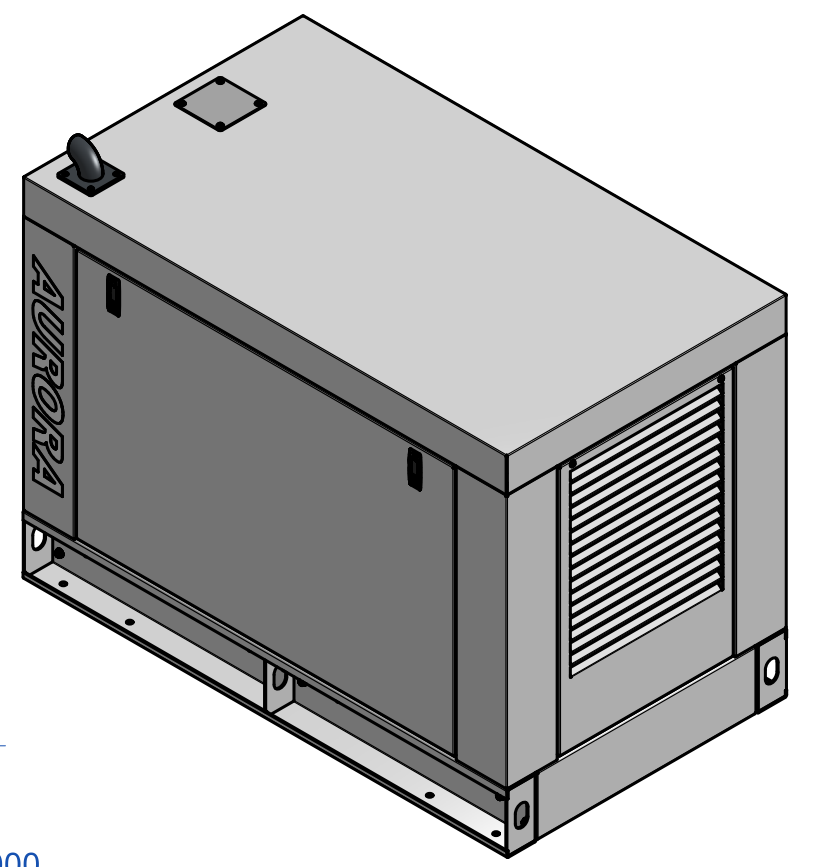
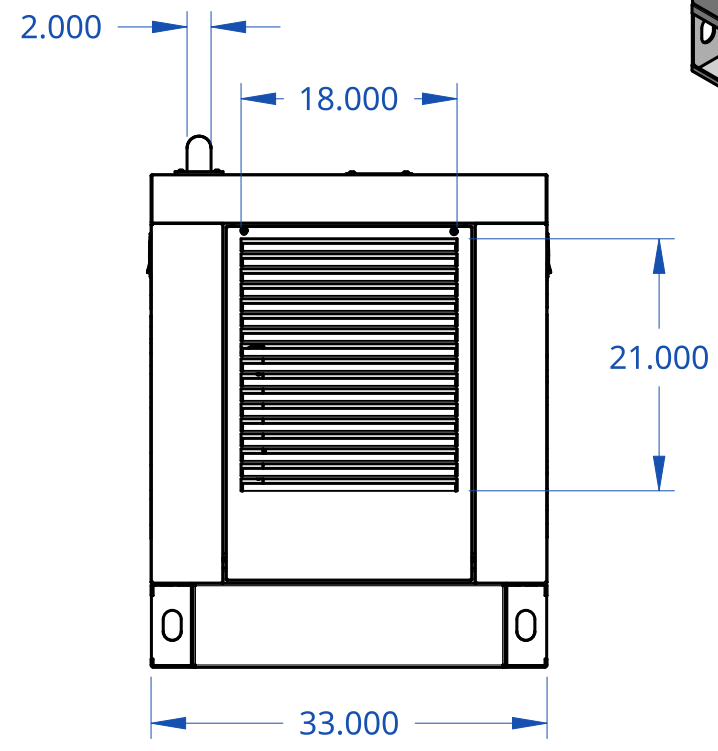
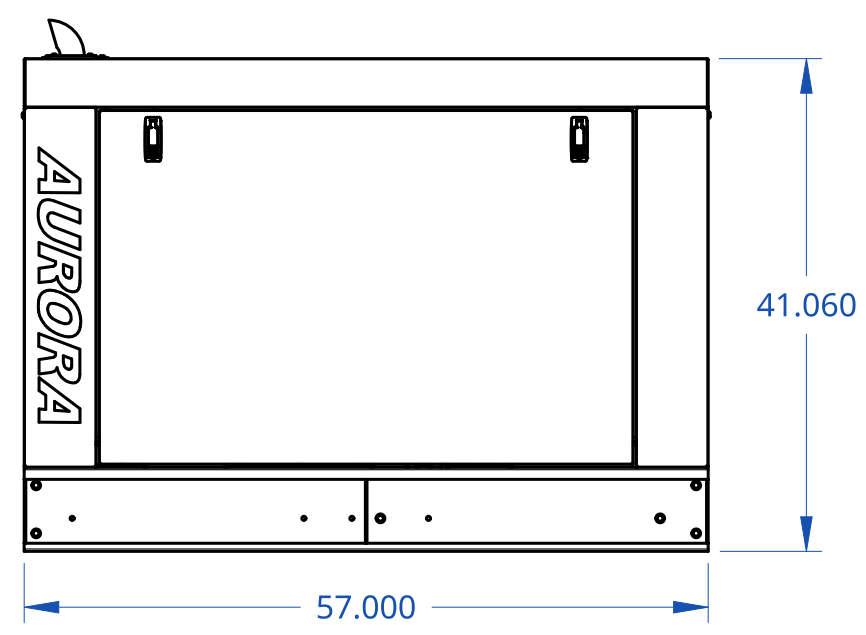
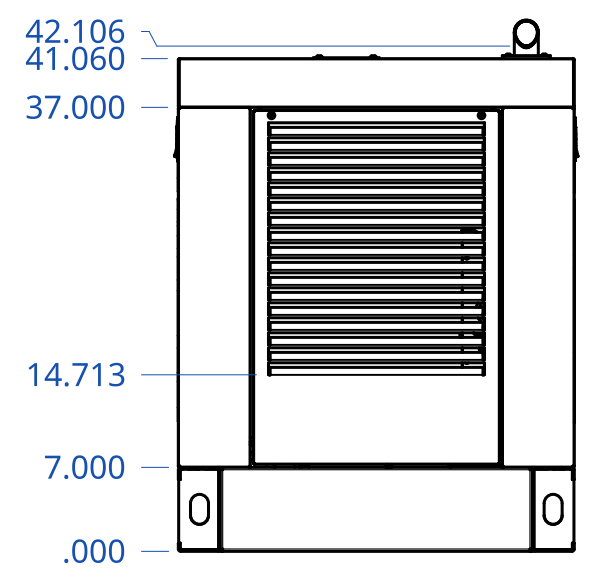
D

Radiator Cap Access Cover



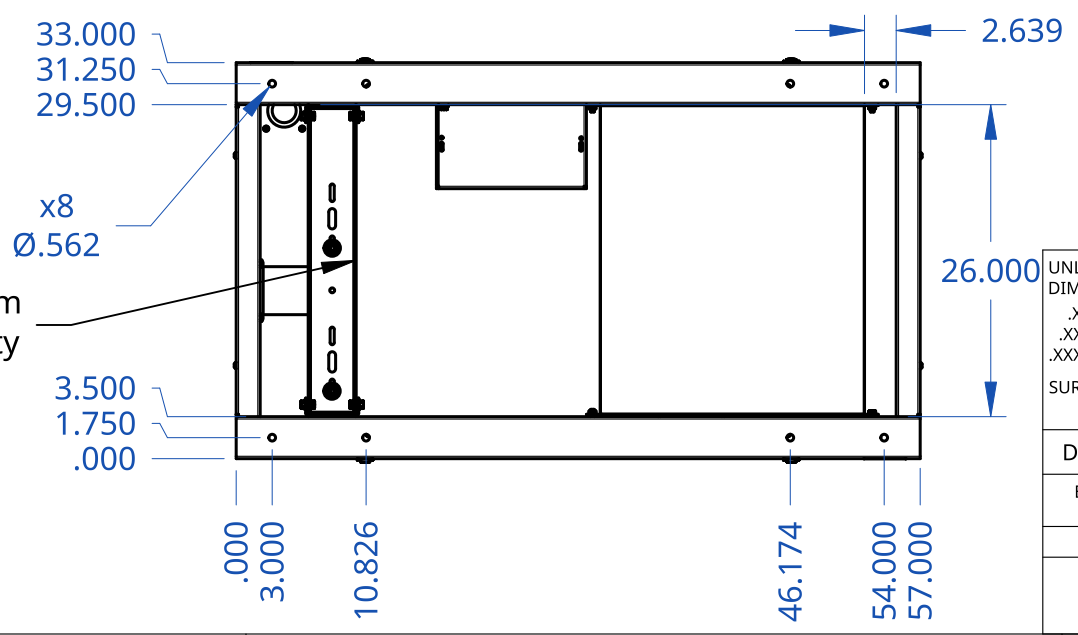
C

C



B

B



Generator removed from drawing for clarity

UNLESS OTHERWISE SPECIFIED, DIMENSIONS ARE IN INCHES

.XX = ±.0-
.XXX = ±.00-
.XXXX = ±.000-

ANGULAR = ± °
FRACTIONAL = ±

SURFACE FINISH

DO NOT SCALE DRAWING

BREAK ALL SHARP EDGES AND REMOVE BURRS

THIRD ANGLE PROJECTION

	NAME	DATE
DRAWN	Aurora	April 10 2024
CHECKED		
APPROVED		

TITLE		SKU AGi6Y-E 6 kW Diesel Generator Aurora Generators Inc.	
SIZE	DWG NO.	REV.	
B	AGi6Y-E-DWG01	D	
SCALE	WEIGHT	SHEET	1 of 2

4

3

2

1

A

A

4

3

2

1

D

D

C

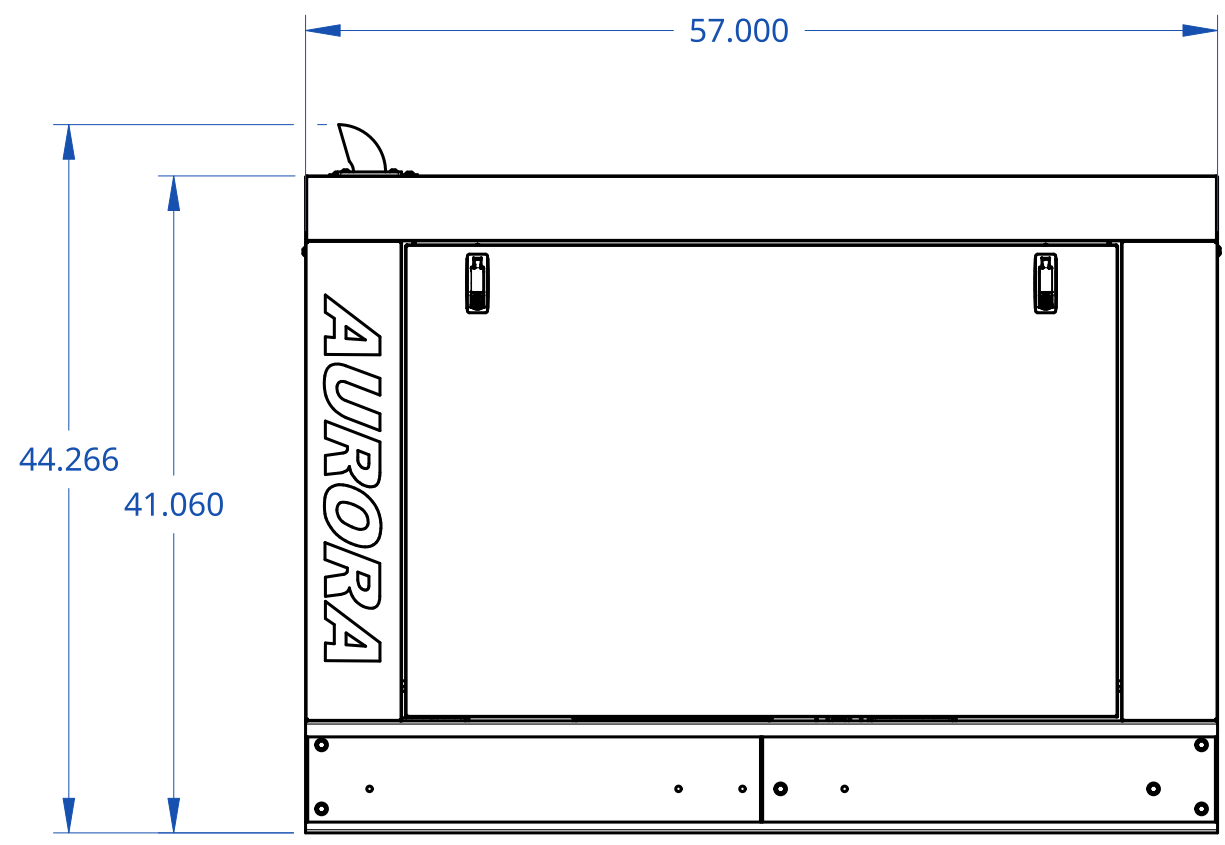
C

B

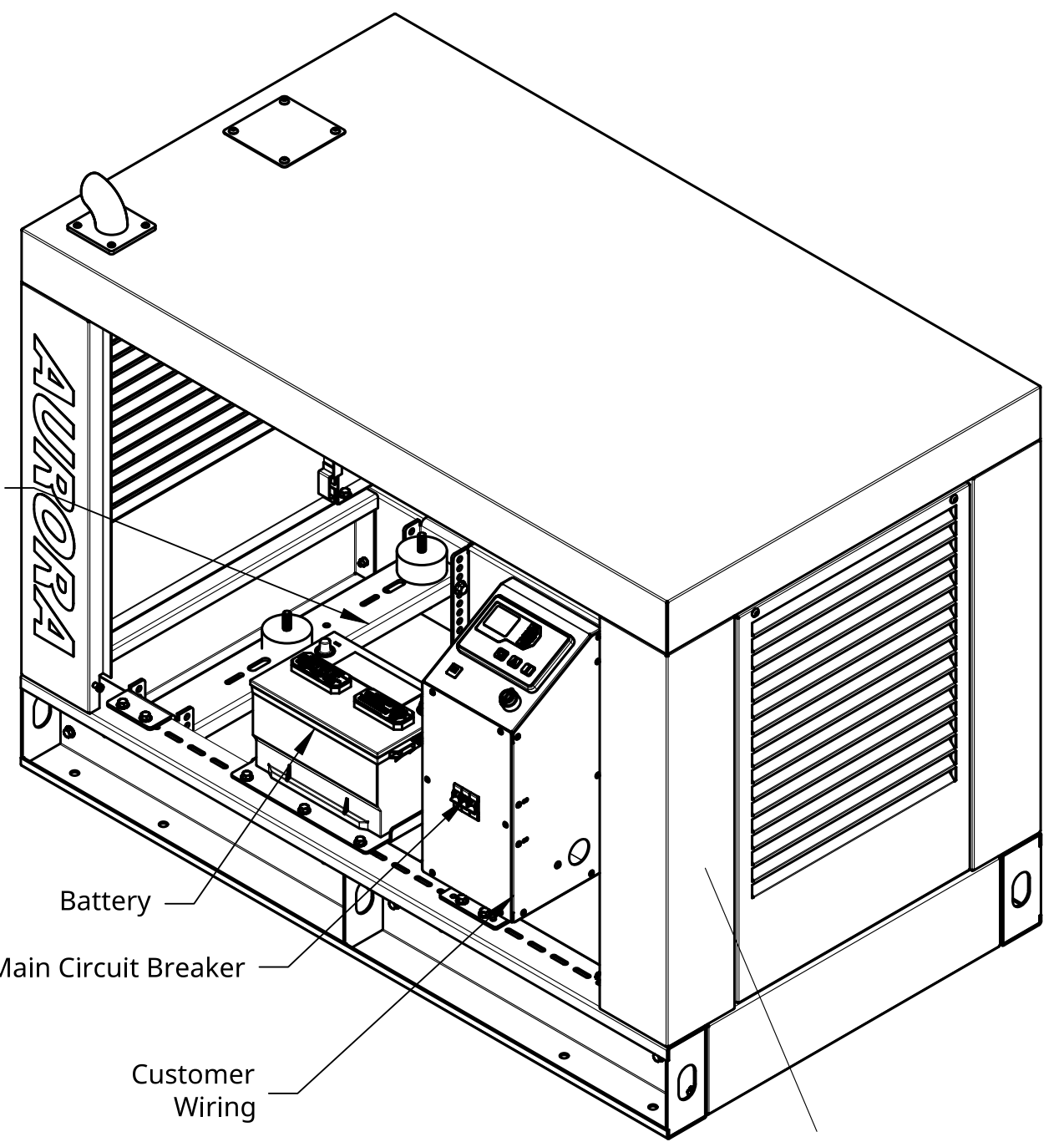
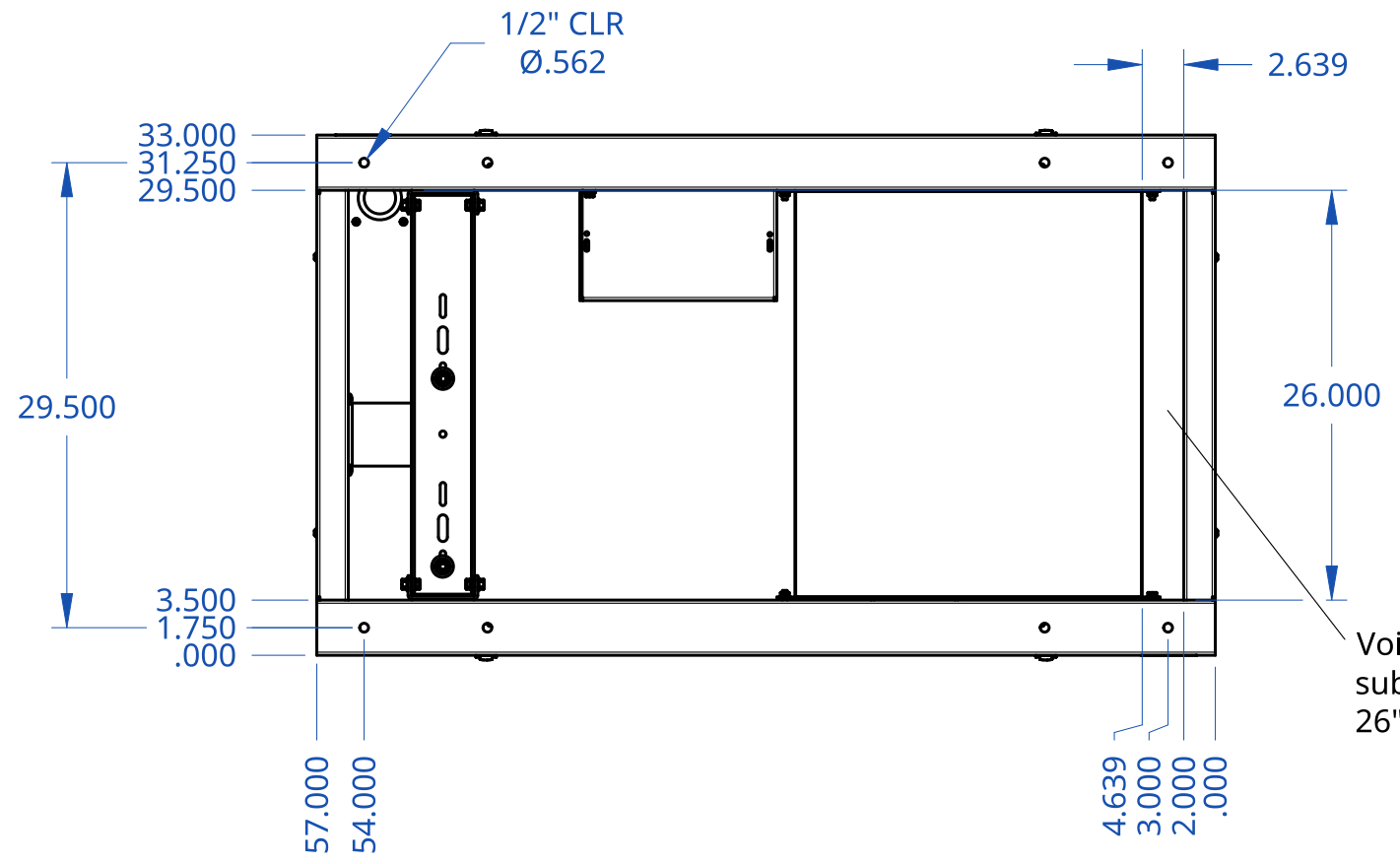
B

A

A



Generator removed
from drawing for clarity



Wiring to the generator can be from the underside, between the fuel tank and frame or, more commonly, a hole punched here for the electrical conduit to enter the enclosure and then into the control panel right side.

4

3

2

1