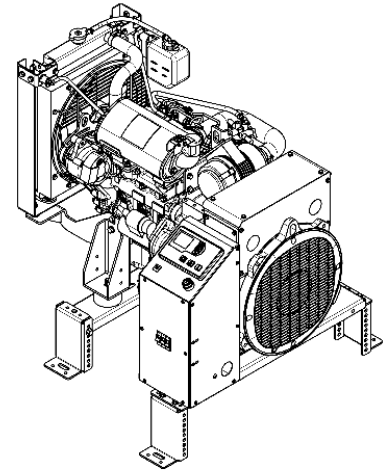


6 kW Diesel Generator

Model - AGi6Y-BB

AURORA
Generators

Power	6,000 watts
Voltage	120 - 50 A 240 V - 25 A
Engine	Yanmar - 3 cylinder diesel
Alternator	Mecc Alte - Brushless with AVR
Instrumentation	DynaGen - TG350 Auto-start
Shipping Weight	775 lb
Dimensions	36.0" x 34.8" x 35.3"



HIGH-PERFORMANCE COMPACT DESIGN

This Aurora compact generator features a high-quality diesel engine and an alternator that requires no maintenance. Thanks to these features, it delivers top-notch fuel efficiency, reliability, and durability, making it suitable for use in both residential and industrial settings. Moreover, it is designed to work with a two-wire start system, making it easy to use and convenient.

YANMAR ENGINE

A clean, high-performance diesel engine powers this generator. You can expect over 20,000 hours of engine life with minimal maintenance and an oil change interval of up to 500 hours. The engine uses glow plugs that operate automatically with the generator controller to maximize efficiency for easy cold-weather starting. All Yanmar engines are backed by a comprehensive factory warranty.

MECC ALTE ALTERNATOR / GENERATOR

Aurora uses industrial-grade alternators to provide clean, reliable, and safe power. A digital voltage regulator guarantees that the output voltage remains accurate within 1%, safeguarding all your sensitive electronics. The alternators do not have brushes, so they require no maintenance. The Mecc Alte C-type alternators can operate under harsh conditions. They can withstand an overload of more than 300% forced current for up to 20 seconds, which makes them ideal for motor starting requirements.

DESIGNED FOR THE DIY'ER

Bare-bones generators are ideal for DIY enthusiasts or businesses seeking to install a reliable diesel generator in their own space, or to customize the setup based on our offering. These generators are of the same high-quality as the ones used in Aurora residential, industrial, and commercial generator products, but they do not include the fuel tank, supporting frame, enclosure, or battery. When you opt for an Aurora bare-bones generator for your next project, you don't have to compromise on quality.

INSTRUMENTATION AND CONTROL

The DynaGen tough series controllers are built to last, providing robust generator instrumentation protection and control. They are designed to operate in the harshest conditions, with severe duty and extreme shock and vibration protection. Their functions include auto-starting and exercise, electrical and engine monitoring, adjustable warning and alarm modes with auto-shutoff, and event logging for easy diagnostics and troubleshooting. Settings can be easily reconfigured using front panel buttons or free software and can be password-protected to prevent accidental changes or tampering.

6 kW Diesel Generator

Model - AGi6Y-BB

AURORA[®]

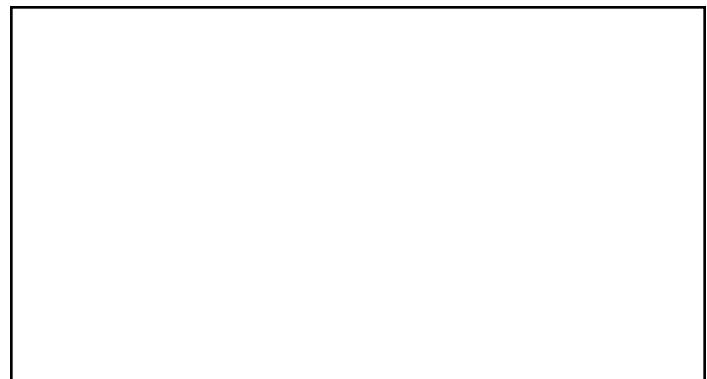
Generators

Engine	
Make & Model	Yanmar 3TNM74F-NGGE
Power	8 kWe Standby / 7.2 kWe Prime
Emissions	U.S. EPA T4 Final & CARB
Cylinders	3
Aspiration	Natural
Injection System	Indirect injection
Displacement	0.99 (cc) / 61 (ci)
Cooling System	Radiator water cooled
Coolant Capacity	5.8 qt / 5.5 L
Lube Oil Capacity	3.1 qt / 2.9 L
Cold Starting Aid	Glow plugs
Maintenance	500 hr oil change interval
Electrical	12 V / 40 A alternator
Minimum Size Battery	Group 26 / 540 CCA
Weight	242 lb / 110 kg
Fuel Consumption	50% - 0.23 gal / 0.89 L 75% - 0.35 gal / 1.34 L
Warranty	2 yr / 2000 hr*

Alternator	
Make & Model	Mecc Alte NPE32 2S4 C*
Type	1800 RPM, 4 pole, brushless with dedicated windings
Power	11.0 kW
Voltage	120 V / 240 V
Voltage Regulation	DSR automatic voltage regulator / $\pm 1\%$
Total Harmonic Distortion	Full load L-N <3.0%
Efficiency	81.1 %
Insulation	Class H
Approvals	UL / CSA C22.2
Weight	183 lb / 83 kg

Generator Controller	
Make & Model	DynaGen TG350
Function	Instrumentation, protection & control
Display	Oil pressure, temperature, voltage, fuel level, battery voltage, engine speed, frequency, status, hour meter, maintenance etc...
Protection	Automatic warnings & shutdowns
Diagnostics	150 event log
Remote Starting	Manual and/or 2-wire start
Exercise	16 channel weekly scheduler
Standby Power	60 mA @ 12 Vdc
Operating Temperature	Controller functions -40 to +70° C Display viewing -20 to +70° C
Environment	Meets or exceeds SAE J1455 for vibration and shock
Electromagnetic Compatibility	Meets or exceeds MIL-STD-461E
Warranty	5 yr / 17,500 hr

Options	
TG410 Controller	Includes Modbus communications and provides power and fuel consumption reporting
Oil Pan Heater	125 W Thermostatically controlled (200°F / 93°C)
3 Phase Output	208, 240, 480 & 600 V
Block Heater	120 V
Battery Charger	2 A Smart charger
Fuel Tank	100-400 gallon tanks



* Specifications are subject to change without notice.