

4

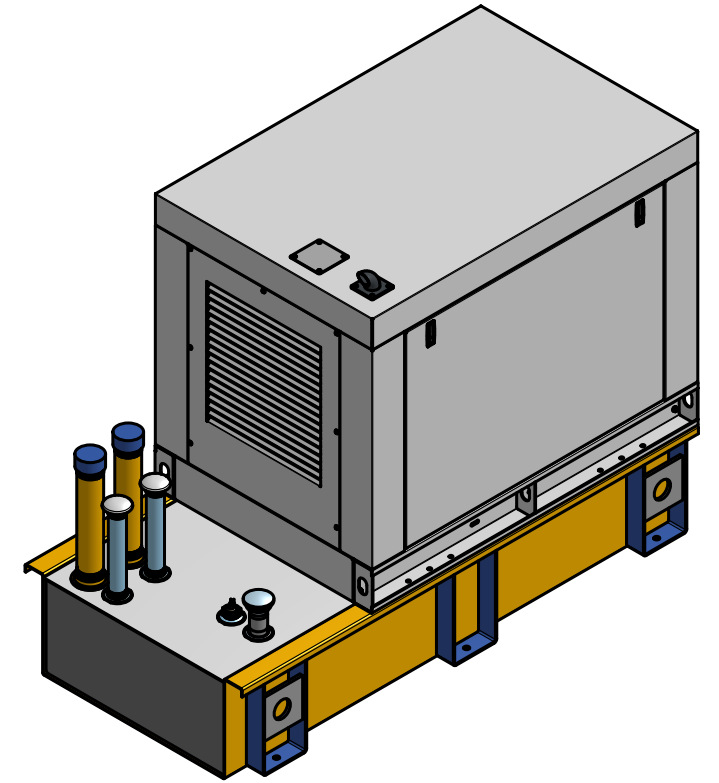
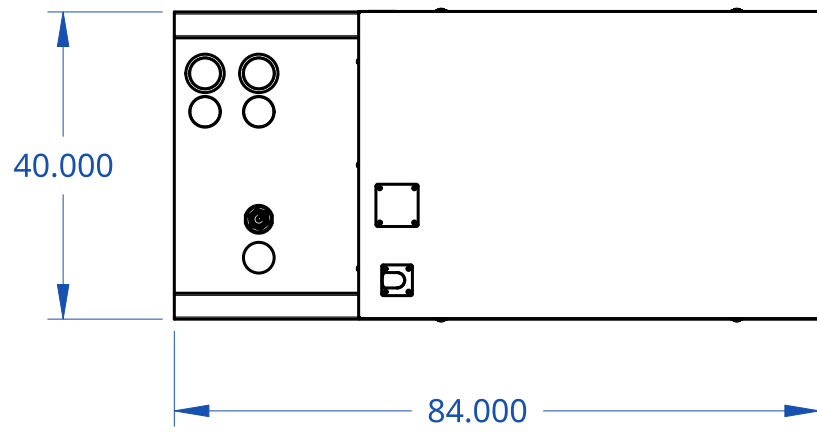
3

2

1

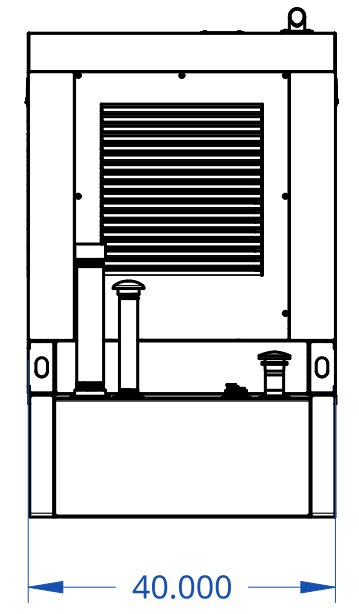
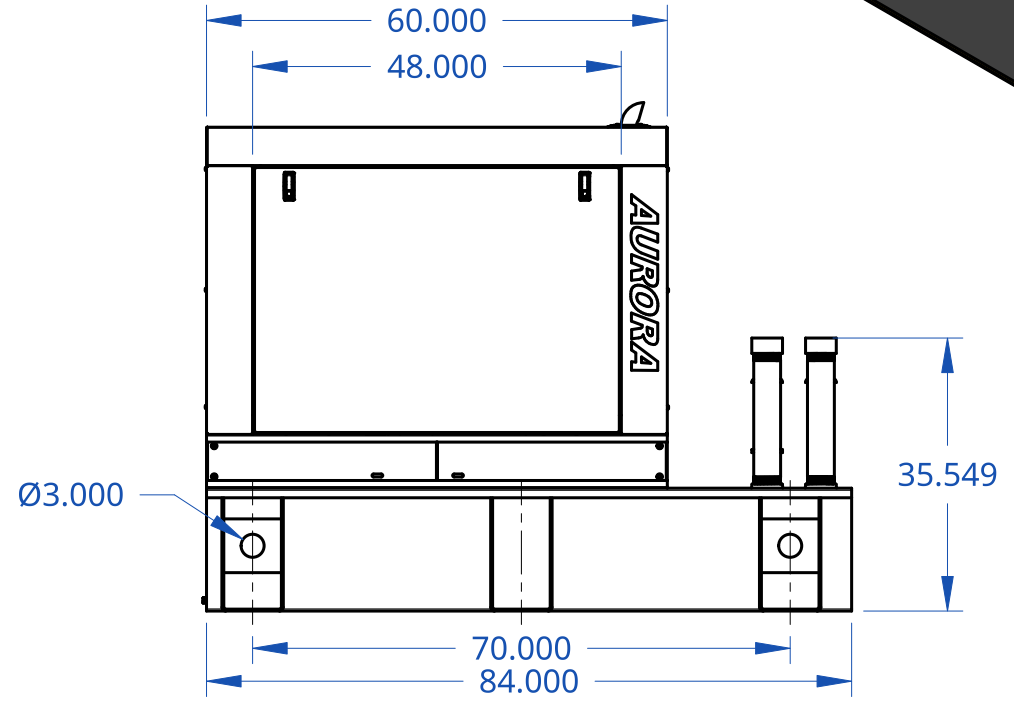
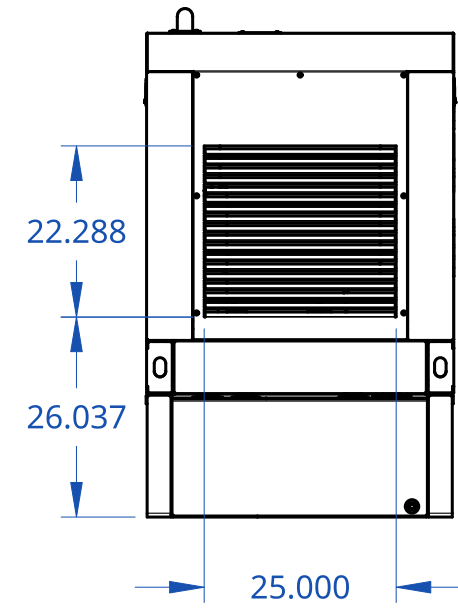
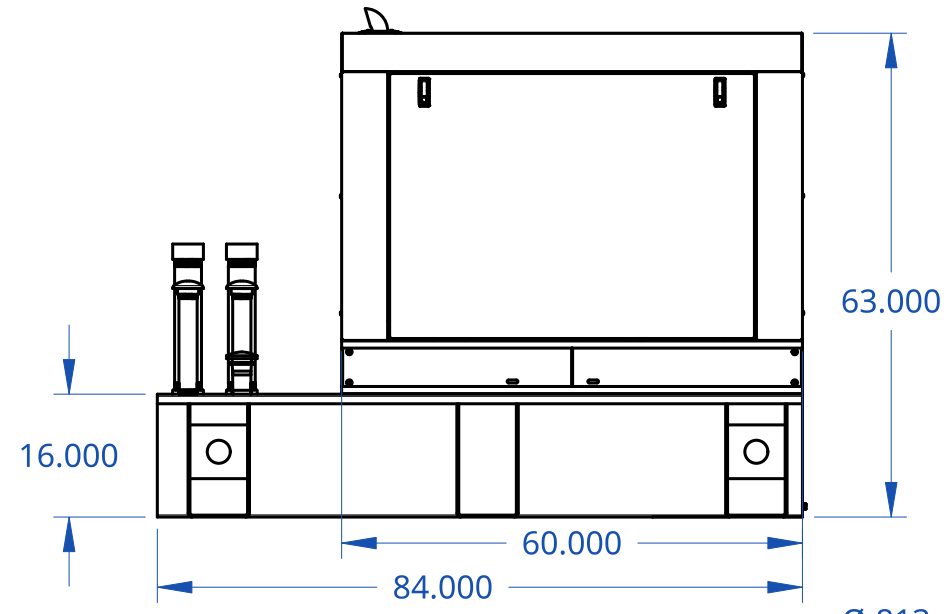
D

D



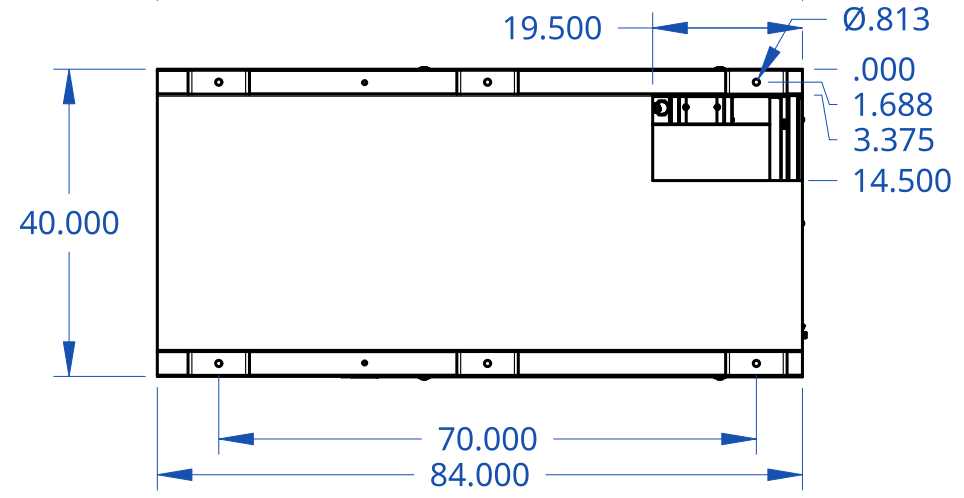
C

C



B

B



UNLESS OTHERWISE SPECIFIED,  
DIMENSIONS ARE IN INCHES  
.XXX = ±.015

ANGULAR = ± °  
FRACTIONAL = ±

SURFACE FINISH

DO NOT SCALE DRAWING

BREAK ALL SHARP EDGES AND  
REMOVE BURRS

THIRD ANGLE PROJECTION

	NAME	DATE
DRAWN	Aurora Generators	04/12/2024
CHECKED		
APPROVED		
MATERIAL	FINISH	

<b>AURORA</b> Generators		
TITLE SKU# AGi40H-E-100 40 kW Hatz Diesel Generator Aurora Generators Inc.		
SIZE <b>B</b>	DWG NO. <b>AGi40H-E-100-DWG01</b>	REV. <b>D</b>
SCALE	WEIGHT	SHEET 1 of 1

A

A

4

3

2

1