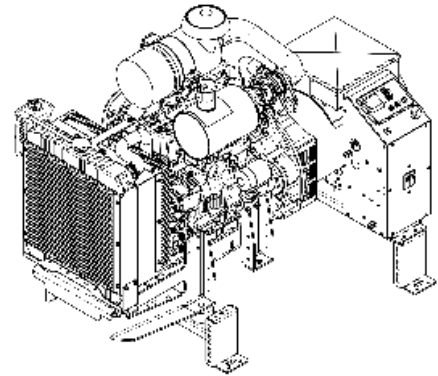


22 kW Standby Generator

Model - AGi22Y-BB

AURORA
Generators

Power	22,000 watts
Voltage	120 V - 180 A 240 V - 90 A
Engine	Yanmar - 4 Cylinder Diesel
Alternator	Mecc Alte - Brushless with AVR
Instrumentation	DynaGen - TG350 Auto-start
Shipping Weight	1375 lb
Shipping Dimensions	56" x 35" x 40"



HIGH-PERFORMANCE COMPACT DESIGN

This compact generator is powered by a high-performance diesel engine matched with a maintenance-free alternator to deliver industry-leading fuel efficiency, reliability and product life. In addition, Aurora generators can withstand heavy use demands in home and industrial applications. Aurora generators are all two-wire start compatible.

YANMAR ENGINE

A new clean, high-performance diesel engine powers this generator. You can expect over 20,000-hour engine life with minimal maintenance and an oil change interval of up to 500 hours. The engine uses glow plugs that operate automatically with the generator controller to maximize efficiency for easy cold-weather starting. A factory warranty backs up all Yanmar engines. It is fully comprehensive and covers parts, labour and other related items.

MECC ALTE ALTERNATOR / GENERATOR

Aurora uses industrial-class alternators for power generation. Voltage is regulated to 1% precision using a digital voltage regulator to produce clean, safe, reliable power for all your sensitive electronics. In addition, since they are brushless alternators, they require no maintenance.

Mecc Alte C type alternators are designed to operate even in harsh conditions and can withstand an overload of >300% forced current for up to 20 seconds—perfect for motor starting requirements.

INSTRUMENTATION AND CONTROL

DynaGen tough series controllers are used to provide clear generator instrumentation protection and control. They can operate in harsh conditions with severe duty, extreme shock and vibration protection. Some functions include auto-starting and exercise, electrical and engine monitoring, adjustable warning and alarm modes with auto-shutoff, and event logging for easy diagnostics and troubleshooting. Easily reconfigure settings using front panel buttons or free software. Settings can be password-protected to prevent accidental changes or tampering.

OPTIONAL WEATHER ENCLOSURE

The generator is housed in an acoustic sound and weather enclosure made of galvanized steel and assembled with stainless steel fasteners. It has a powder-coated finish for superior corrosion resistance.

22 kW Standby Generator

Model - AGi22Y-BB

AURORA[®]

Generators

Engine	
Make & Model	Yanmar 4TNV84T-BGGE
Power	26.9 kWm / 36 HP @ 1800 RPM
Emissions	U.S. EPA T4i Stationary & CARB
After Treatment	None
Cylinders	4
Aspiration	Turbocharged
Injection System	Direct injection
Displacement	74.266 in ³ / 1.217 L
Cooling System	Radiator water cooled
Coolant Capacity	* L Max / * gal
Lube Oil Capacity	1.955 gal / 7.4 L
Cold Starting Aid	Glow plugs
Maintenance	500 hr oil change interval
Electrical	12 V / 40 A alternator
Minimum Size Battery	Optional Group 24 / 750 CCA
Fuel Consumption	50% - 0.86 gal / 3.25 L 75% - 1.29 gal / 4.88 L
Weight	396 lb / 180 kg
Warranty	2 yr / 3000 hr*

Alternator	
Make & Model	Mecc Alte NPE32 L4 C*
Type	1800 RPM, 4 pole, brushless, AVR, dedicated windings
Power	25.0 kW
Voltage	120 V / 240 V
Voltage Regulation	DSR automatic voltage regulator / ±1%
Total Harmonic Distortion	Full load L-N <3.0%
Efficiency	82.5%
Insulation	Class H
Approvals	UL / CSA C22.2
Weight	265 lb / 120 kg

Fuel Tank	
Make & Model	Aurora AGi12F
Size	12 gal / 45 L
Material	Steel - Satin coat
Finish	Powder coated black sandtex
Fittings	Fuel pickup, return & vented fuel cap
Sensors	Electronic fuel level sensor

Generator Controller	
Make & Model	DynaGen TG350
Function	Instrumentation, protection & control
Display	Oil pressure, temperature, voltage, fuel level, battery voltage, engine speed, frequency, status, hour meter, maintenance etc...
Protection	Automatic warnings & shutdowns
Diagnostics	150 event log
Remote Starting	Manual and/or 2-wire start
Exercise	16 channel weekly scheduler
Standby Power	60 mA @ 12 Vdc
Operating Temperature	Controller functions -40 to +70°C Display viewing -20 - +70 °C
Environment	Meets or exceeds SAE J1455 for vibration and shock
Electromagnetic Compatibility	Meets or exceeds MIL-STD-461E
Warranty	5 yr / 17,500 hr

Options	
Weather Enclosure	Galvannealed satin coat steel, powder coated and UV rated, with all stainless steel fasteners.
TG410 Controller	Includes Modbus communications and provides power and fuel consumption reporting
Oil Pan Heater	125 W Thermostatically controlled (200°F / 93°C)
3 Phase Output	208, 240, 480 & 600 V
Block Heater	120 V
Battery Charger	2 A Smart charger
Fuel Tank	50-400 gallon tanks

--

* Specifications are subject to change without notice.