

4

3

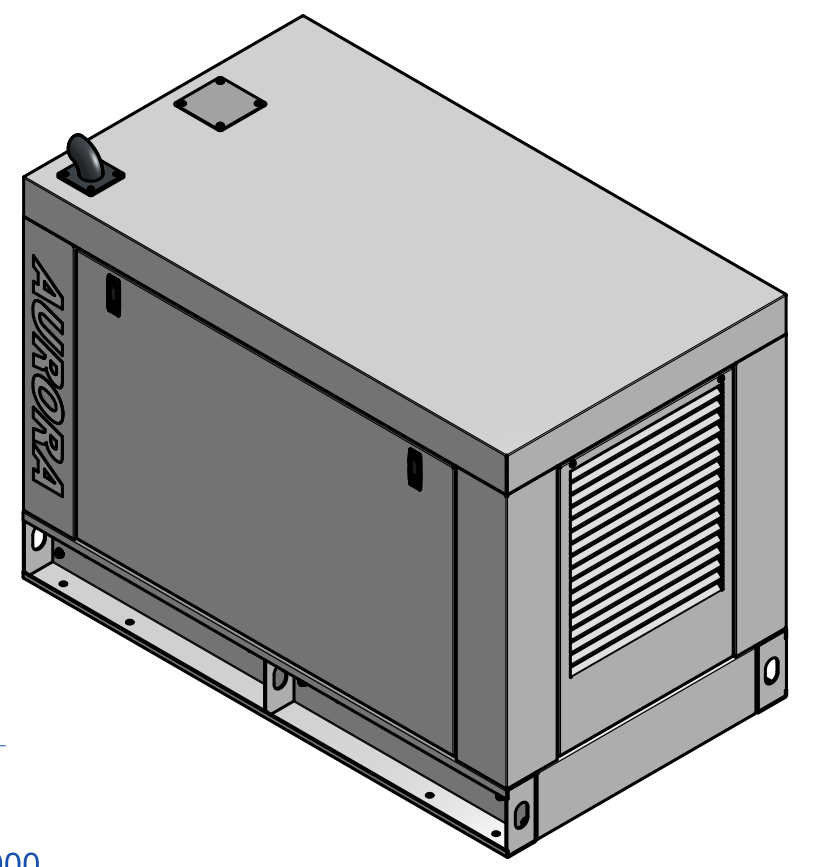
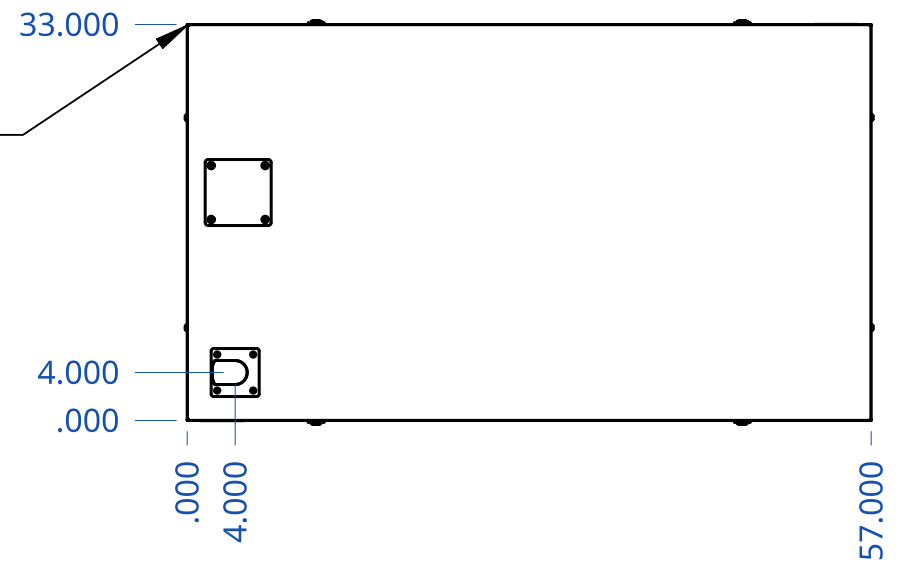
2

1

D

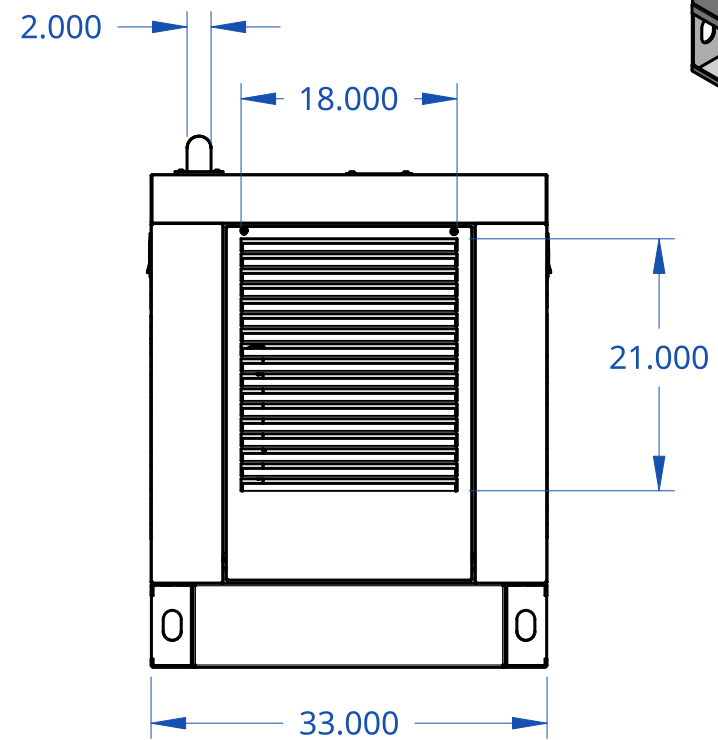
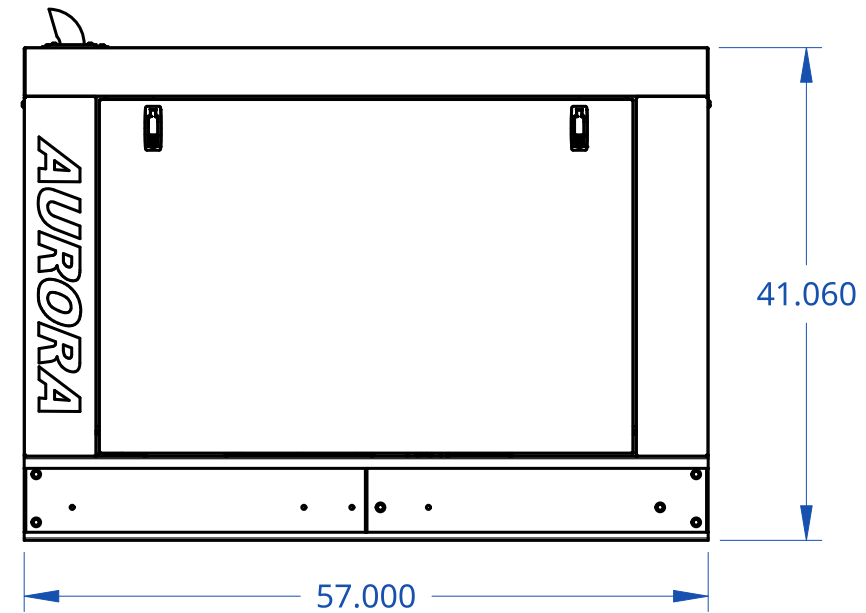
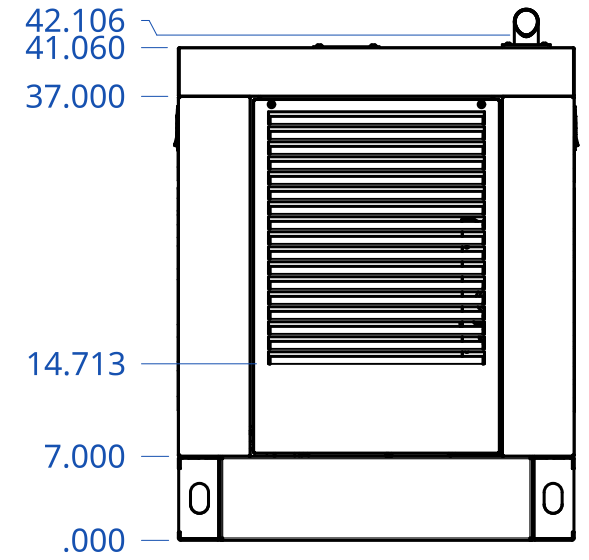
D

Radiator Cap Access Cover



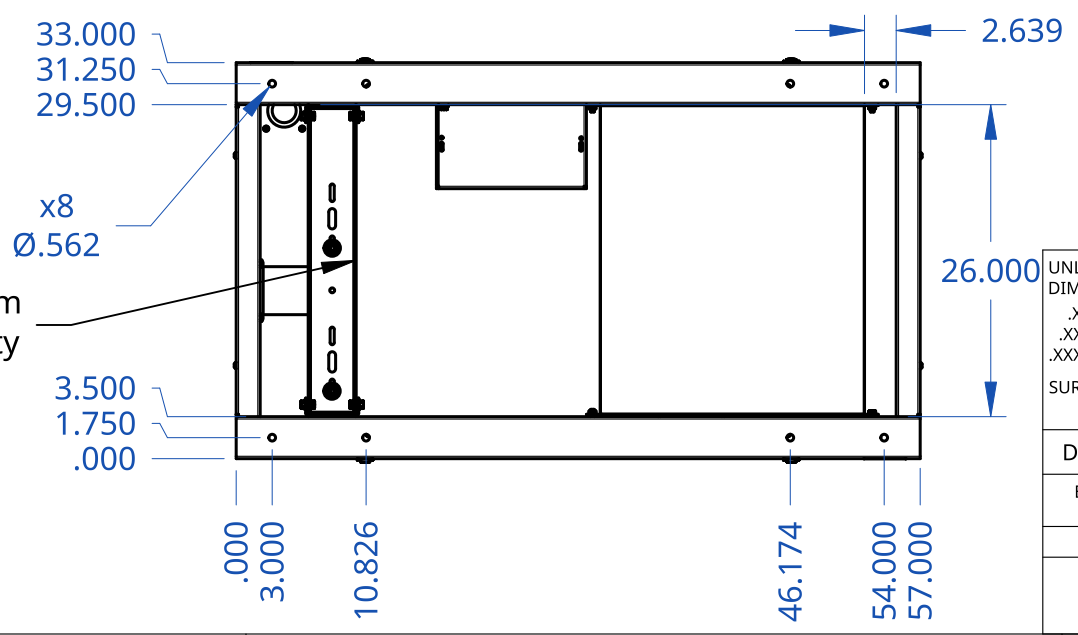
C

C



B

B



Generator removed from drawing for clarity

UNLESS OTHERWISE SPECIFIED, DIMENSIONS ARE IN INCHES

.XX = ±.0-
.XXX = ±.00-
.XXXX = ±.000-

ANGULAR = ± °
FRACTIONAL = ±

SURFACE FINISH ✓

DO NOT SCALE DRAWING

BREAK ALL SHARP EDGES AND REMOVE BURRS

THIRD ANGLE PROJECTION

	NAME	DATE
DRAWN	Aurora	April 10 2024
CHECKED		
APPROVED		

TITLE			SKU AGi20P-E Perkins 20 kW Diesel Generator Aurora Generators Inc.		
SIZE	DWG NO.			REV.	
B	AGi20P-E-DWG01			D	
SCALE	WEIGHT	SHEET	1 of 2		

4

3

2

1

A

A

4

3

2

1

D

D

C

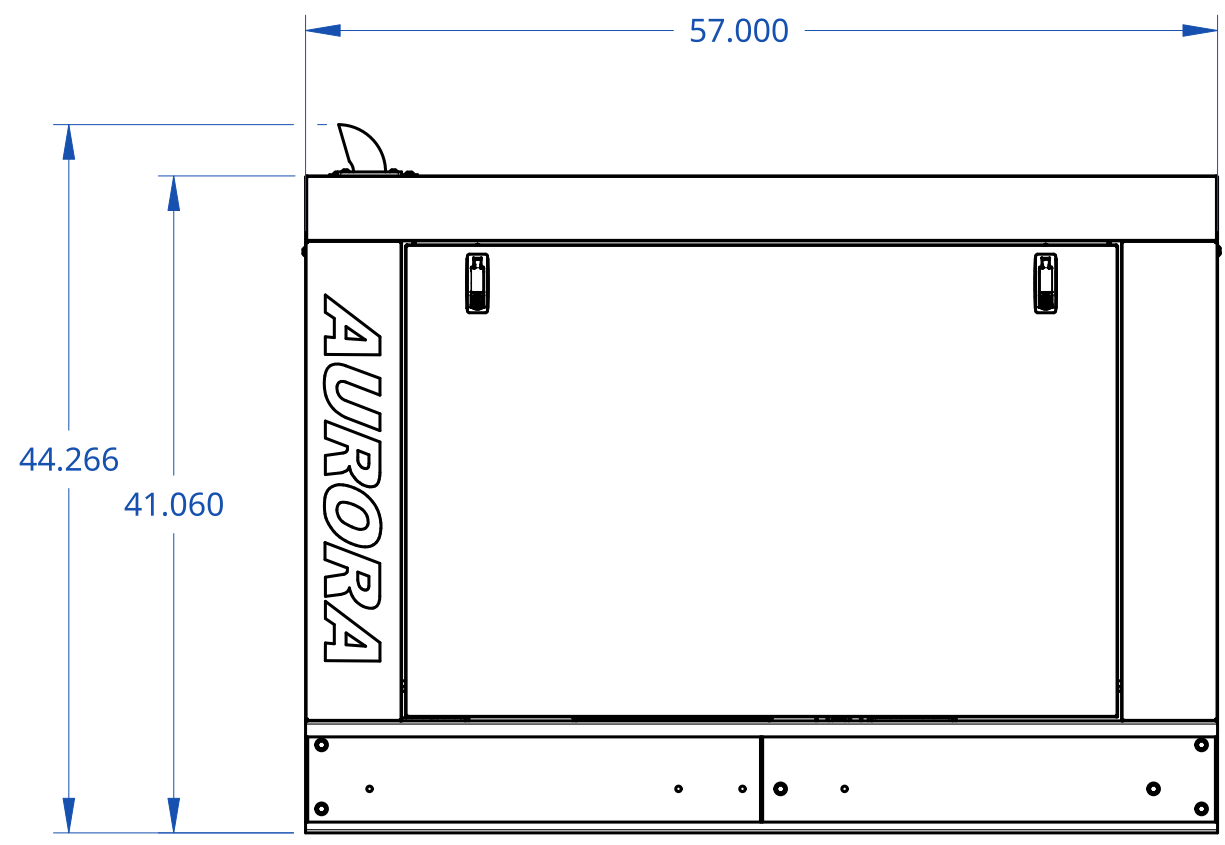
C

B

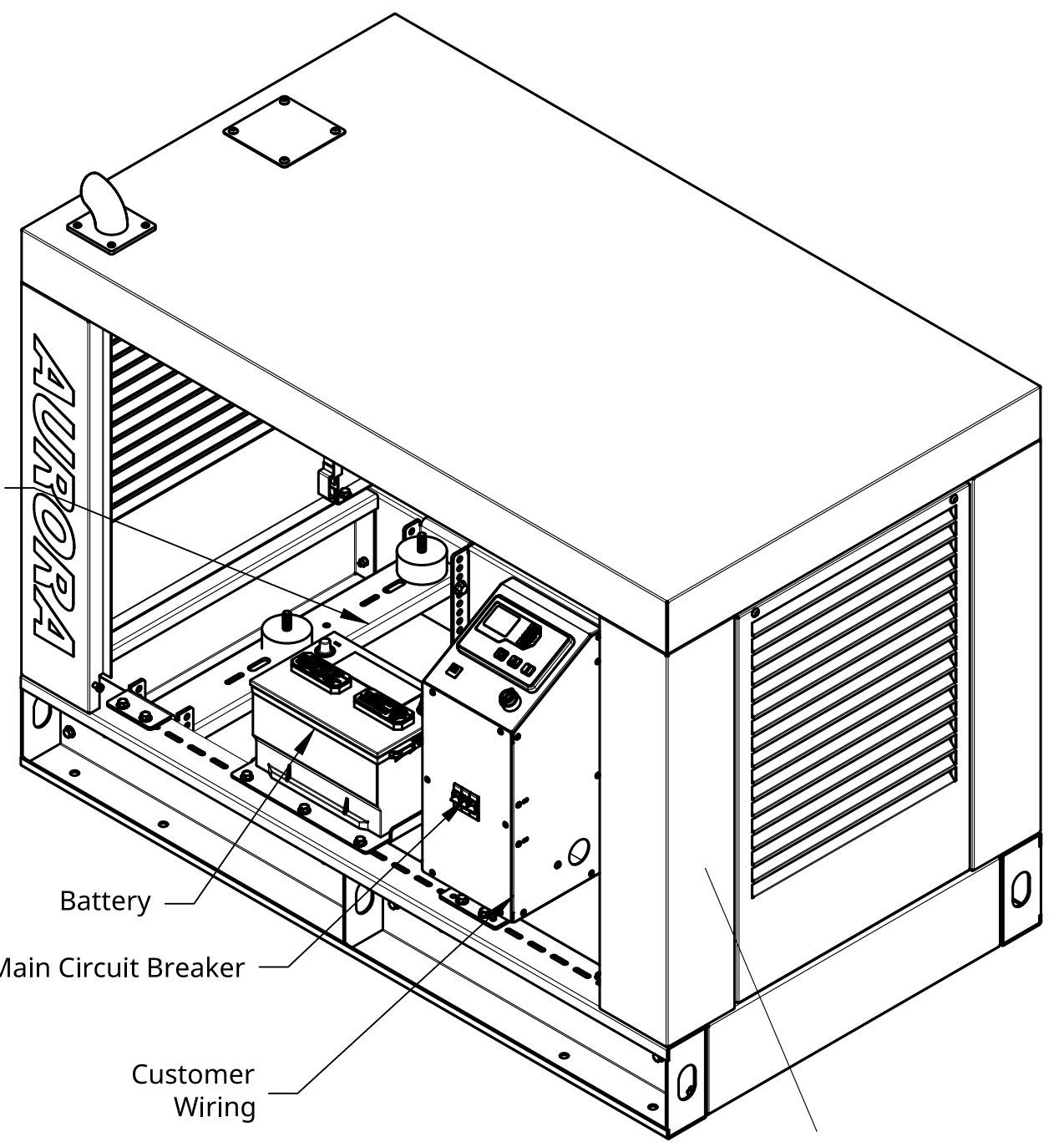
B

A

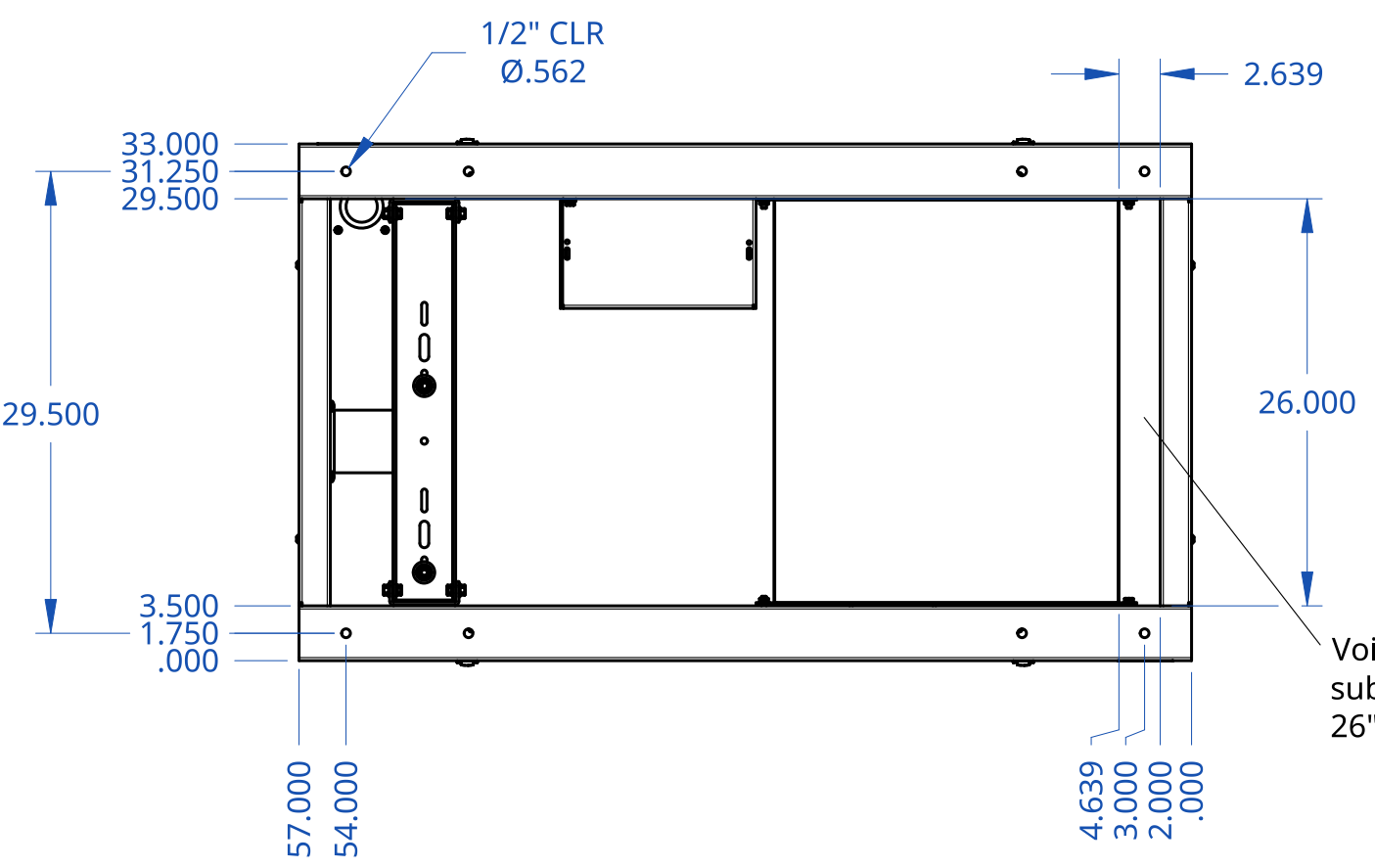
A



Generator removed from drawing for clarity



Wiring to the generator can be from the underside, between the fuel tank and frame or, more commonly, a hole punched here for the electrical conduit to enter the enclosure and then into the control panel right side.



Void Space for sub-up wiring 26" x 2.6"

4

3

2

1