

4

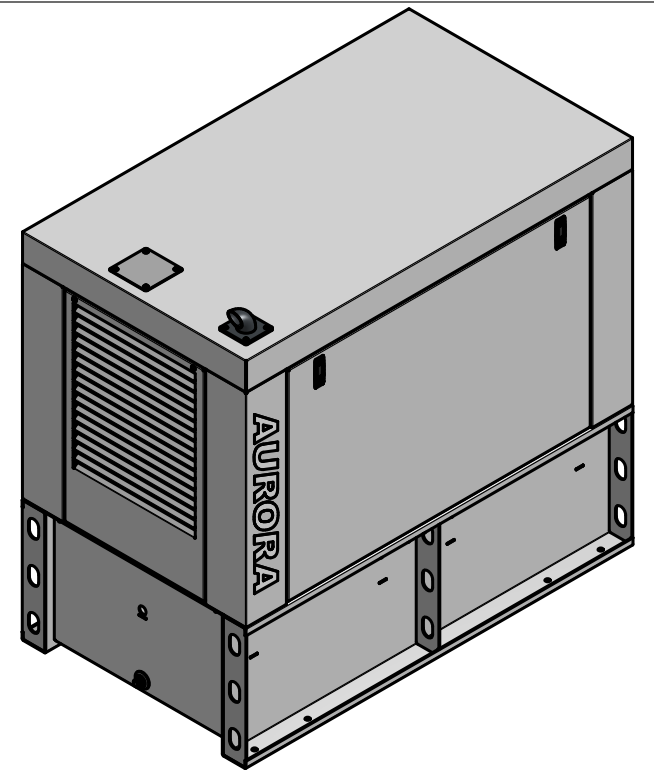
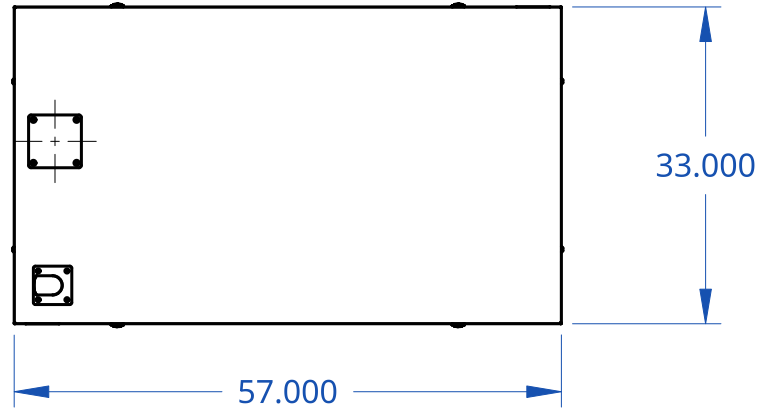
3

2

1

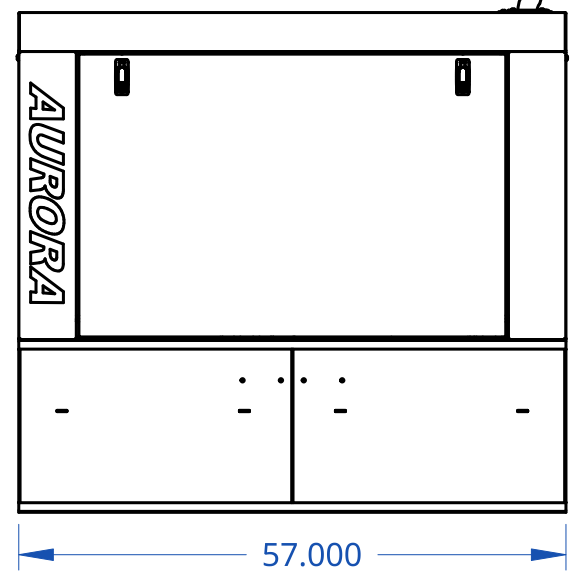
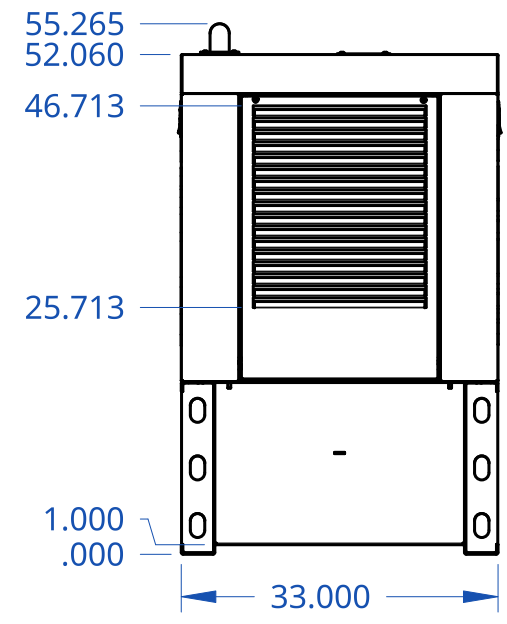
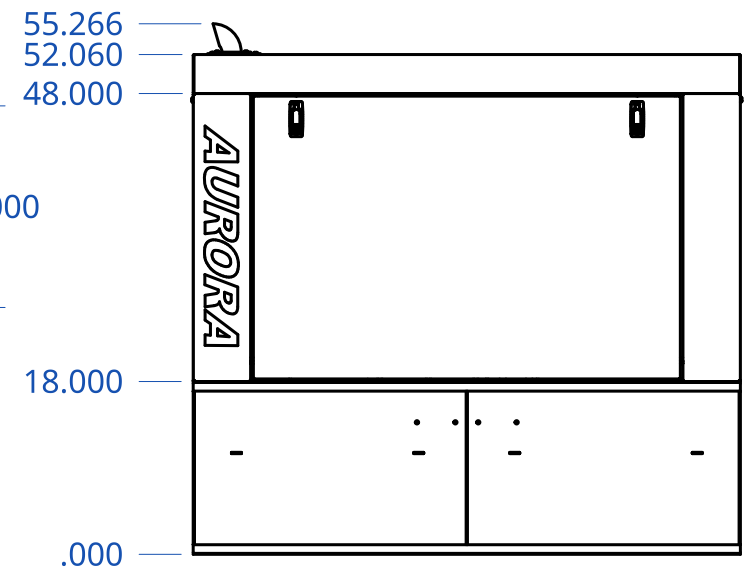
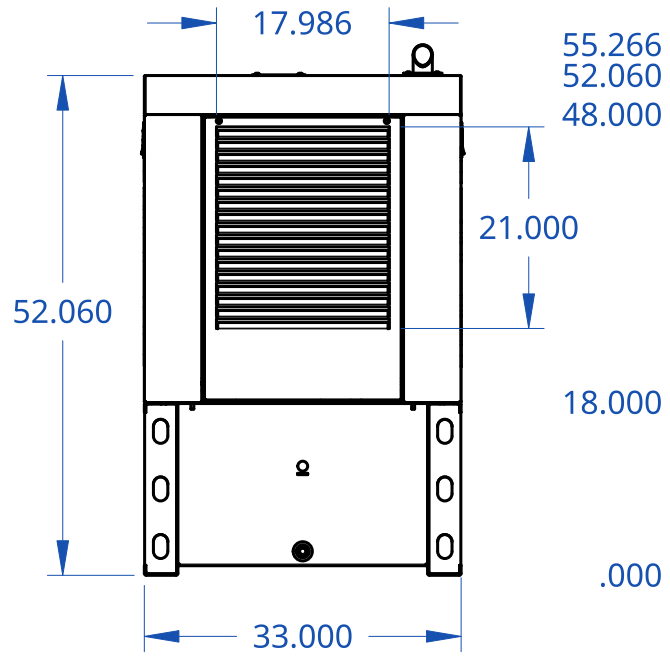
D

D



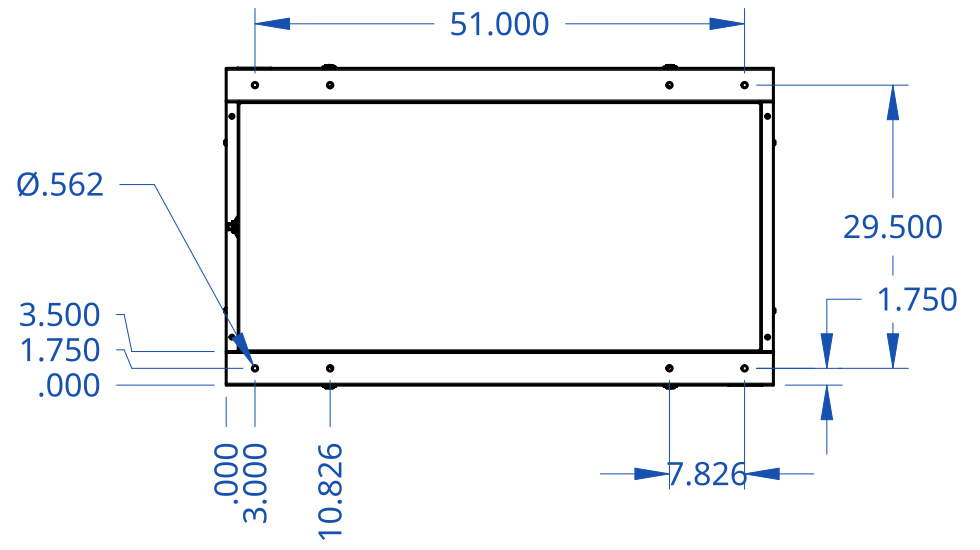
C

C



B

B



UNLESS OTHERWISE SPECIFIED,
DIMENSIONS ARE IN INCHES
.XXX = ±.015

ANGULAR = ± °
FRACTIONAL = ±

SURFACE FINISH

DO NOT SCALE DRAWING

BREAK ALL SHARP EDGES AND
REMOVE BURRS

THIRD ANGLE PROJECTION

	NAME	DATE
DRAWN	Aurora Generators	April 10 2024
CHECKED		
APPROVED		
MATERIAL	FINISH	

AURORA Generators		
TITLE SKU AGi20P-E-50 Perkins 20 kW Generator with 50 Gallon Fuel Tank Aurora Generators Inc.		
SIZE B	DWG NO. AGi20P-E-50-DWG01	REV. D
SCALE	WEIGHT	SHEET 1 of 1

A

A

4

3

2

1