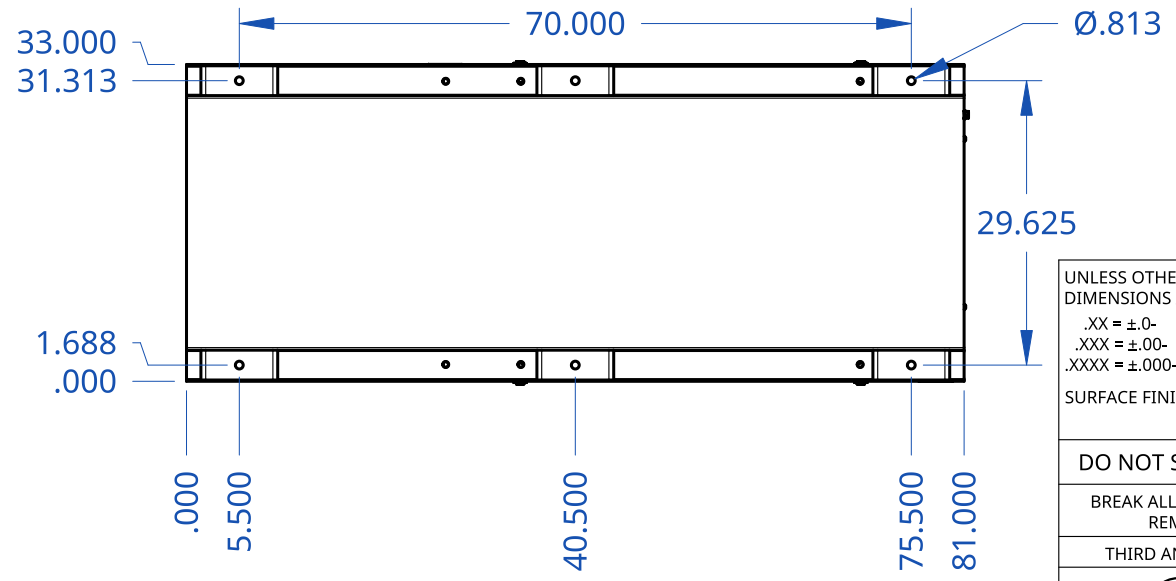
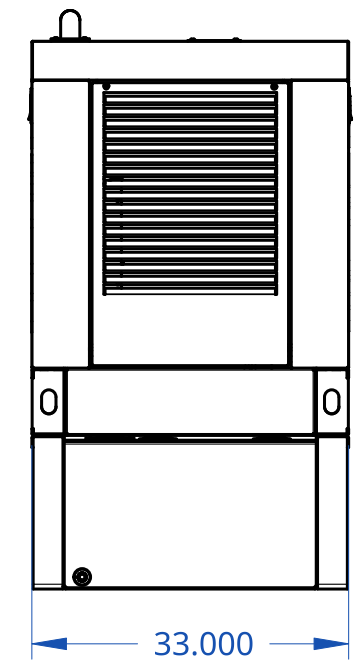
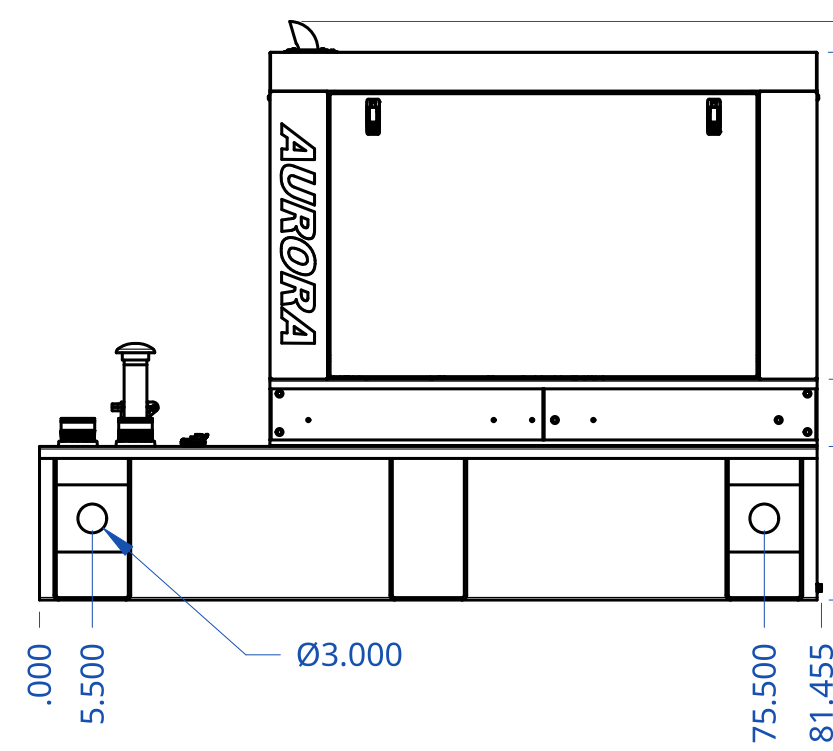
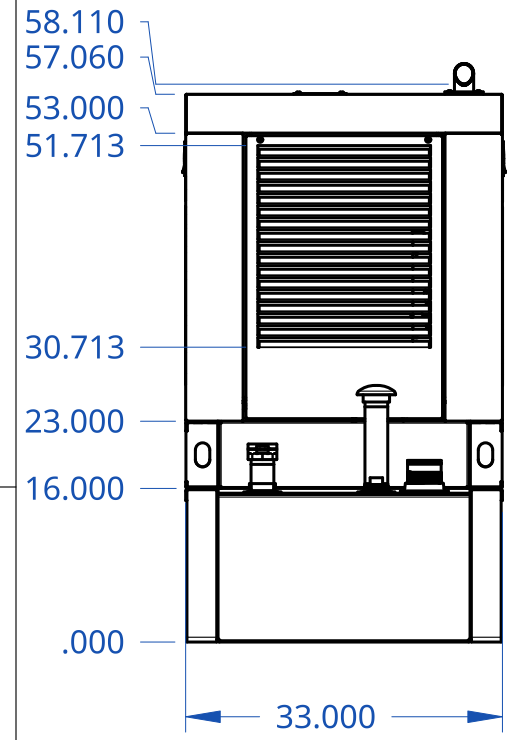
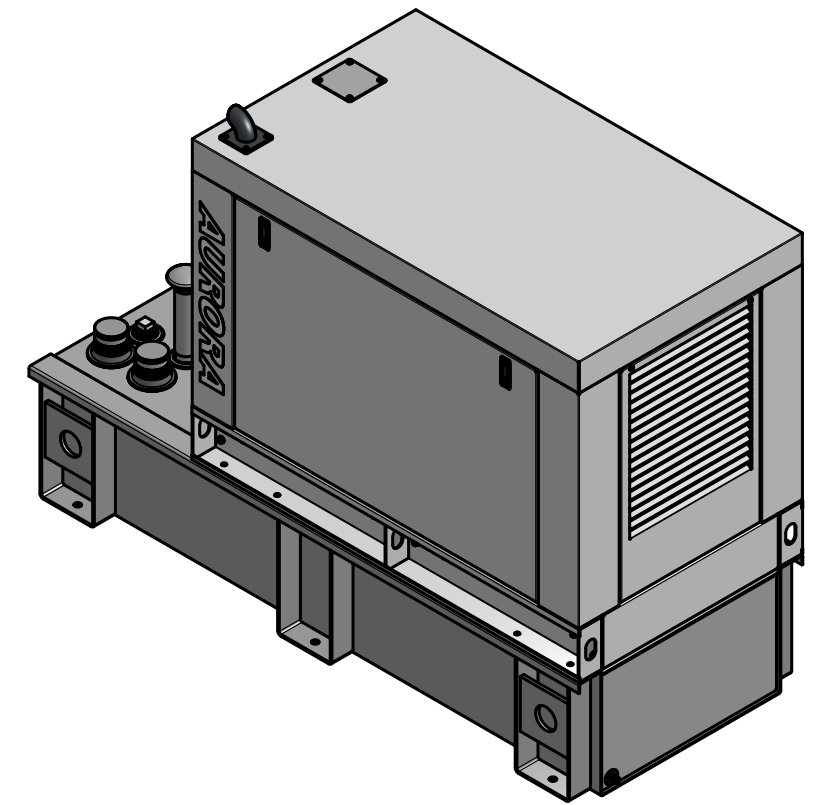
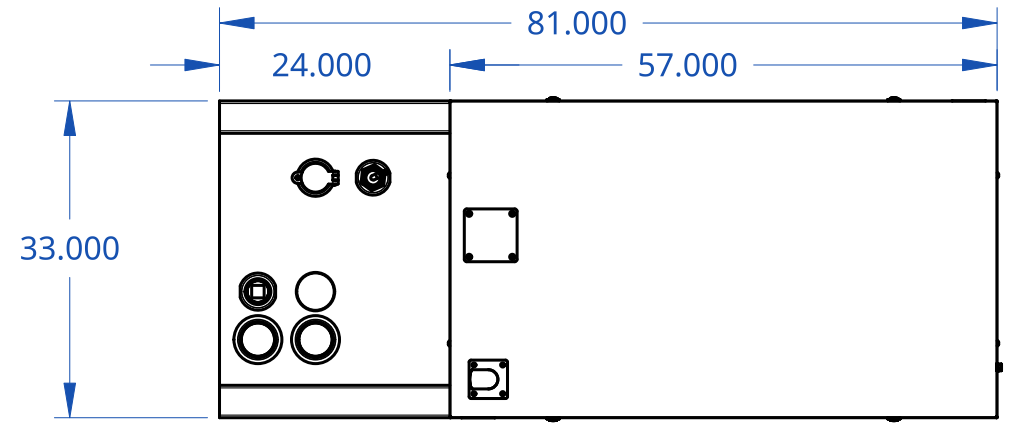


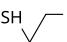
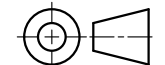
4

3

2

1



UNLESS OTHERWISE SPECIFIED,  
DIMENSIONS ARE IN INCHES  
.XX = ±.0-  
.XXX = ±.00-  
.XXXX = ±.000-  
ANGULAR = ± °  
FRACTIONAL = ±  
SURFACE FINISH   
DO NOT SCALE DRAWING  
BREAK ALL SHARP EDGES AND  
REMOVE BURRS  
THIRD ANGLE PROJECTION 

	NAME	DATE
DRAWN	Aurora	April 10 2024
CHECKED		
APPROVED		
MATERIAL	FINISH	

TITLE			SKU# AGI20P-E-100 20 kW Perkins Generator + 100 Gallon Tank Aurora Generators Inc.		
SIZE	DWG NO.	REV.			
B	AGI20P-E-100-DWG01	D			
SCALE	WEIGHT	SHEET	1 of 1		

4

3

2

1

D

D

C

C

B

B

A

A