

meccalte

S20F-P

MECCALTE spa - Via Roma, 20 - 36051 CREAZZO (VI) ITALY
Tel. +39 0444/396111 - Fax +39 0444/396166 - e-mail: info@meccalte.it
website: www.meccalte.com

2 POLE
1 PHASE
IP 23

CHARACTERISTICS

50 Hz

Type	115/230V 50Hz 3000 RPM									
	kVA CL. H	η 2/4 1 p.f. %	η 3/4 1 p.f. %	η 4/4 1 p.f. %	T.H.D. %	Air volume m ³ /min	Noise		Weight Kg	J Kgm ²
		7m dBA	1m dBA							
S20FS-130	8,5	76,5	79,2	79	< 4	4,5	63	81	41,7	0,0219
S20FS-160	10	76,7	79,4	79,2	< 4	4,7	63	81	48,7	0,0261
S20F-200	12	77,5	80,4	80,3	< 4	4,7	63	81	56,5	0,0306
S20F-230	13	79,2	82,3	82,1	< 4	4,6	63	81	60	0,0335

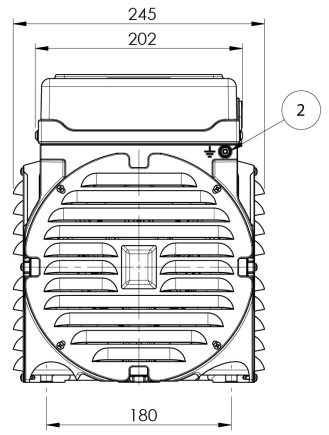
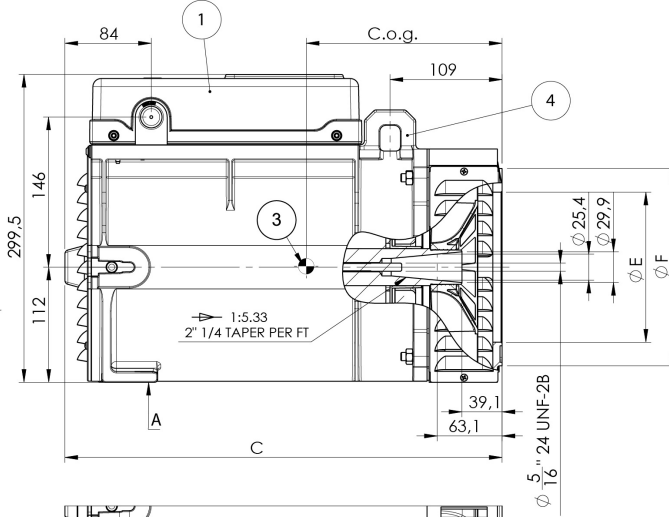
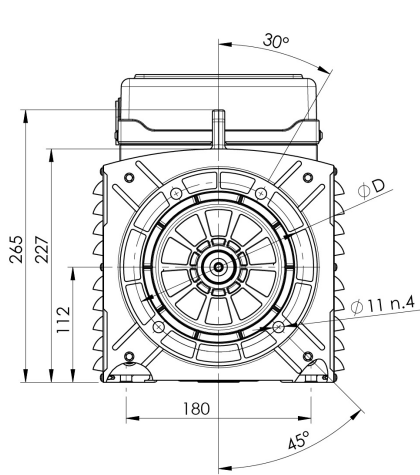
60 Hz

Type	120/240V 60Hz 3600 RPM									
	kVA CL. H	η 2/4 1 p.f. %	η 3/4 1 p.f. %	η 4/4 1 p.f. %	T.H.D. %	Air volume m ³ /min	Noise		Weight Kg	J Kgm ²
		7m dBA	1m dBA							
S20FS-130	10,5	76,5	79,6	79,4	< 4	5,4	65	83	41,7	0,0219
S20FS-160	12	76,7	79,8	79,6	< 4	5,7	65	83	48,7	0,0261
S20F-200	14,4	77,8	80,9	80,8	< 4	5,7	65	83	56,5	0,0306
S20F-230	15,5	79,7	82,8	82,7	< 4	5,6	65	83	60	0,0335

OVERALL SIZE, STANDARD TYPE

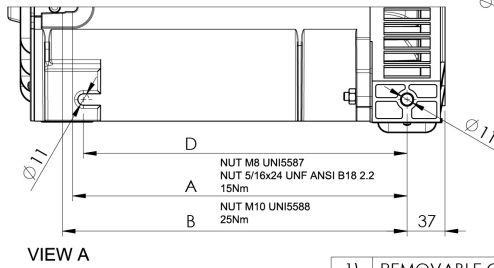
FORM B9/25.4

dimensions in mm.



TYPE	A [mm]	B [mm]	C [mm]	D [mm]	C.o.G. [mm]
FS - 130	285.5	295.5	385.6	275.0	206.8
FS - 160	285.5	295.5	385.6	275.0	195.3
F - 200	325.5	335.5	425.6	315.0	215.5
F - 230	325.5	335.5	425.6	315.0	227.6

FLANGE		
D [mm]	E [mm]	F [mm]
146.0	165.00	192.0
163.6	196.85	216.0
177.8		

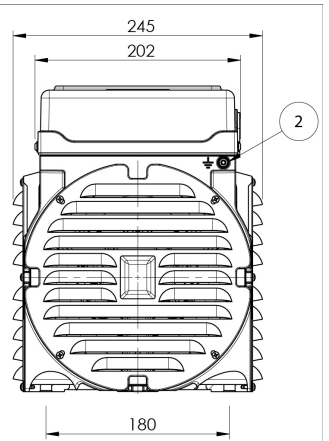
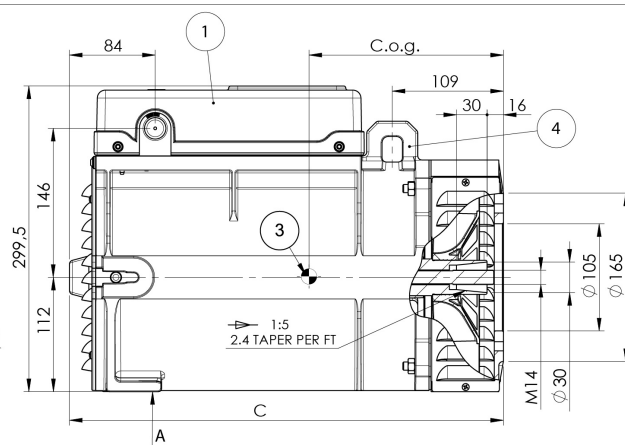
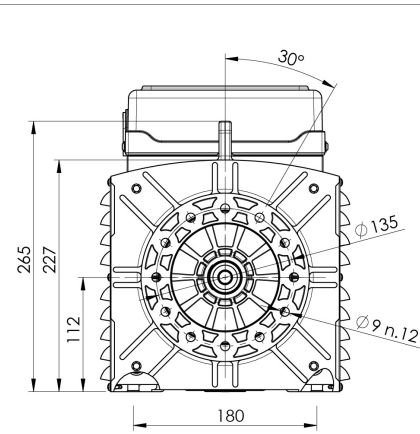


VIEW A

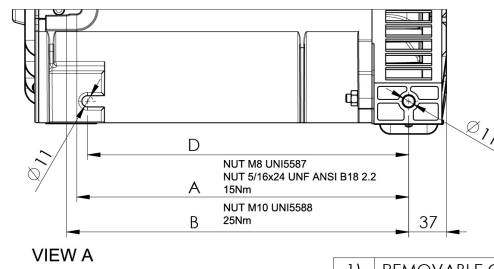
- 1) REMOVABLE COVER FOR ACCESS TO MAIN TERMINALS
- 2) SCREW FOR GROUNDING
- 3) CENTER OF GRAVITY (C.o.g.) IN CONF. S20F AND FLANGE Ø146mm
- 4) LIFTING EYE - AVAILABLE ONLY FOR TYPE "F"

(* AVAILABLE ONLY FOR S20F-P

FORM B9/C30



TYPE	A [mm]	B [mm]	C [mm]	D [mm]	C.o.G. [mm]
FS - 130	285.5	295.5	385.6	275.0	205.4
FS - 160	285.5	295.5	385.6	275.0	194.5
F - 200	325.5	335.5	425.6	315.0	214.5
F - 230	325.5	335.5	425.6	315.0	226.5



VIEW A

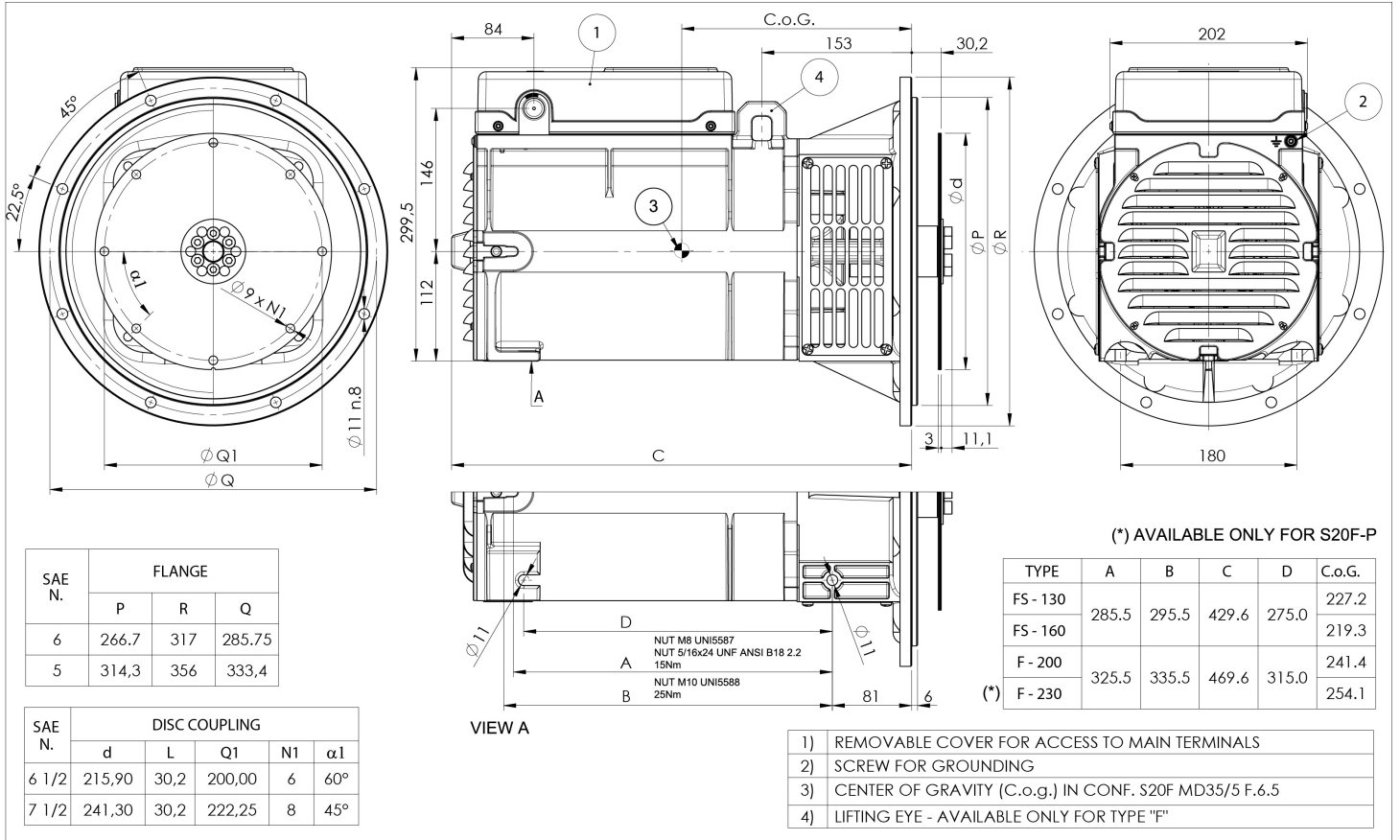
- 1) REMOVABLE COVER FOR ACCESS TO MAIN TERMINALS
- 2) SCREW FOR GROUNDING
- 3) CENTER OF GRAVITY (C.o.g.) IN CONF. S20F
- 4) LIFTING EYE - AVAILABLE ONLY FOR TYPE "F"

(* AVAILABLE ONLY FOR S20F-P

OVERALL SIZE, STANDARD TYPE

FORM MD35

dimensions in mm.



FORM B34

