

4

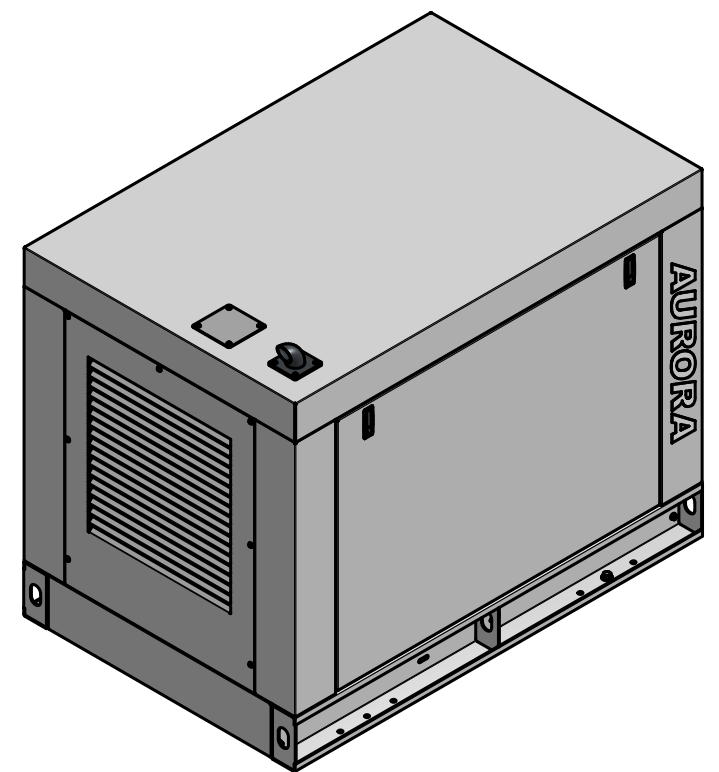
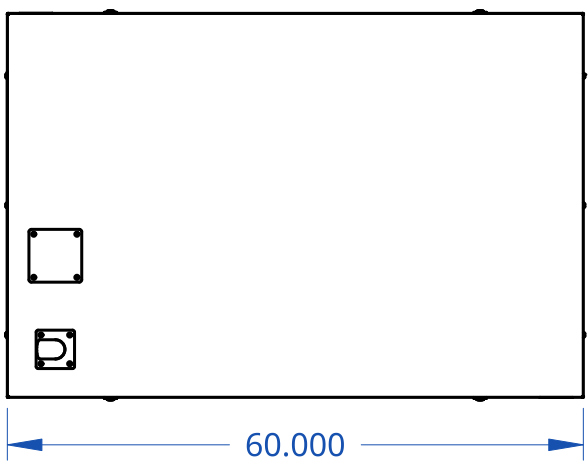
3

2

1

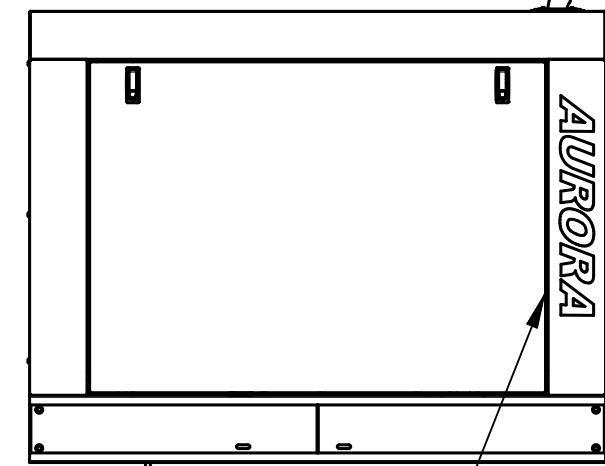
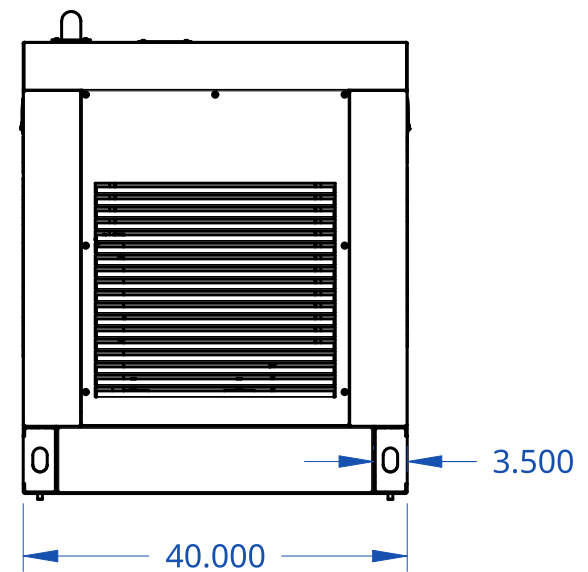
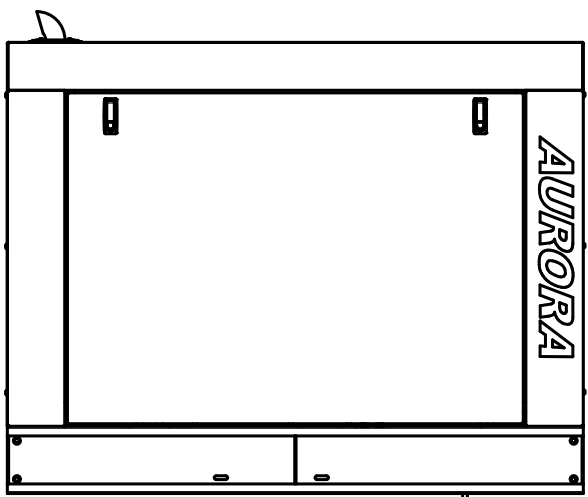
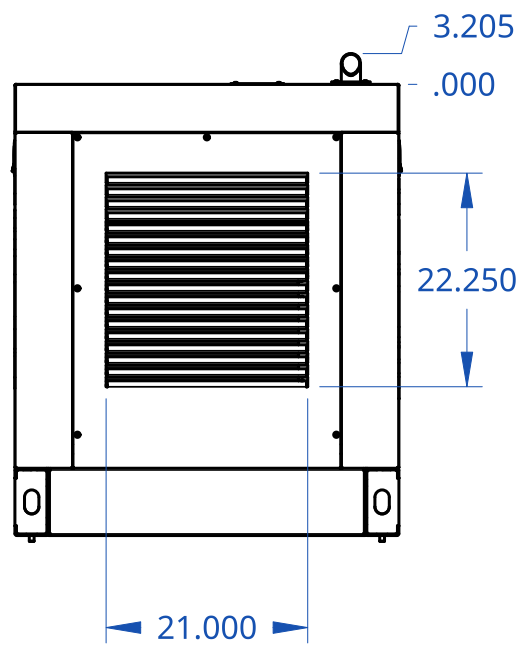
D

D



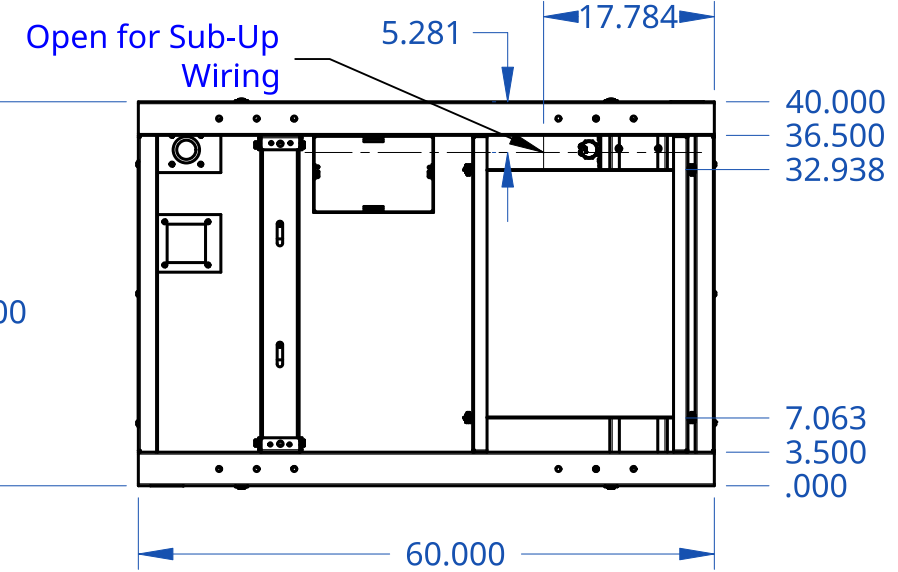
C

C



B

B



All doors fully removable

A

A

UNLESS OTHERWISE SPECIFIED,
DIMENSIONS ARE IN INCHES
.XXX = ±.015

ANGULAR = ± °
FRACTIONAL = ±

SURFACE FINISH

DO NOT SCALE DRAWING

BREAK ALL SHARP EDGES AND
REMOVE BURRS

THIRD ANGLE PROJECTION

	NAME	DATE
DRAWN	Aurora Generators	12/02/2024
CHECKED		
APPROVED		
MATERIAL	FINISH	

AURORA
Generators

TITLE		
SKU AGi50H-E 25 kW Generator with 12 Gallon Tank Aurora Generators Inc.		
SIZE	DWG NO.	REV.
B	AGi25H-E-DWG01	A
SCALE	WEIGHT	SHEET
		1 of 3

4

3

2

1

4

3

2

1

D

D

C

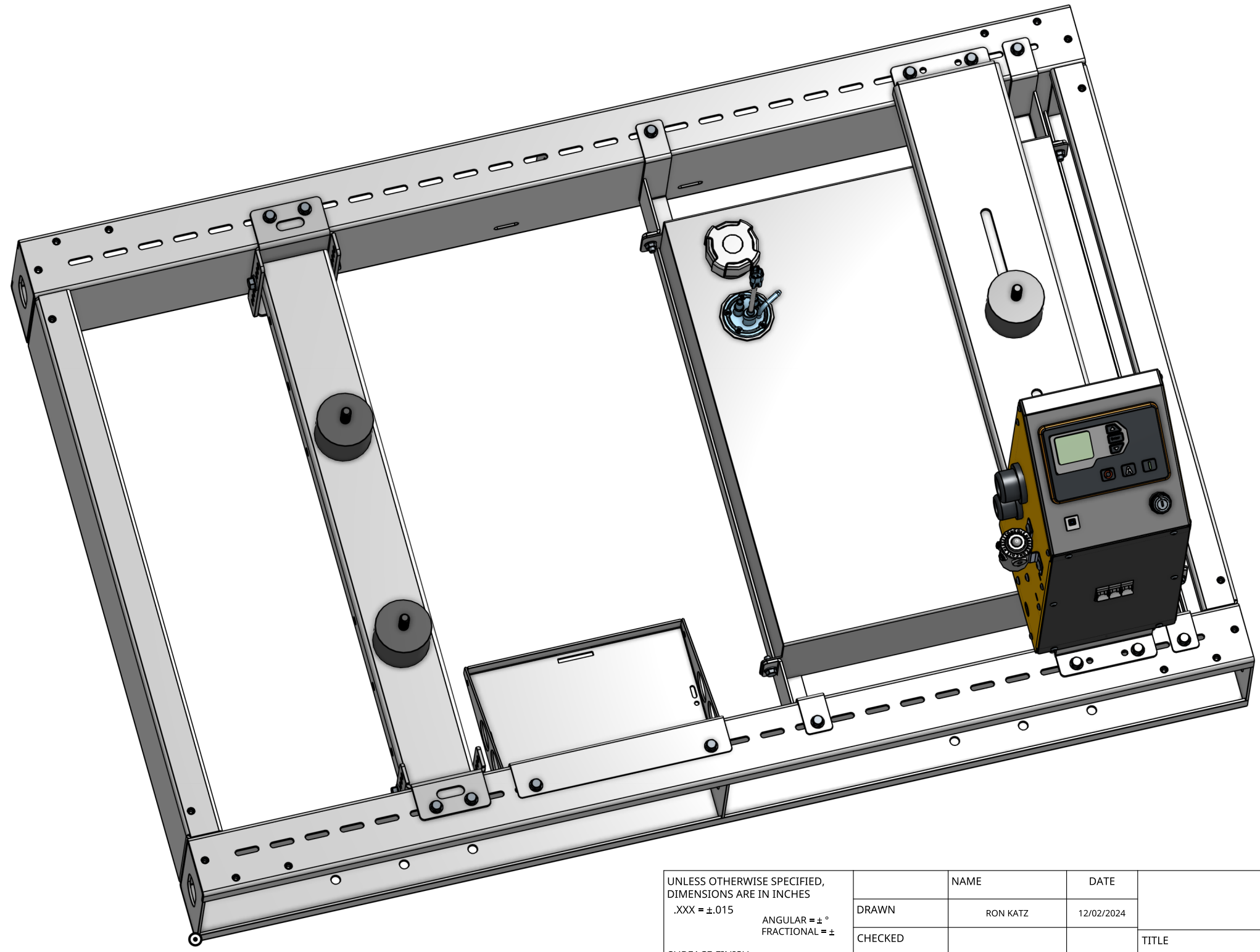
C

B

B

A

A



UNLESS OTHERWISE SPECIFIED,
DIMENSIONS ARE IN INCHES
.XXX = ±.015

ANGULAR = ± °
FRACTIONAL = ±

SURFACE FINISH

DO NOT SCALE DRAWING

BREAK ALL SHARP EDGES AND
REMOVE BURRS

THIRD ANGLE PROJECTION

	NAME	DATE
DRAWN	RON KATZ	12/02/2024
CHECKED		
APPROVED		
MATERIAL	FINISH	

AURORA Generators		
TITLE AGi40H Base Frame Assembly AGi40H-O-DWG01		
SIZE B	DWG NO.	REV. A
SCALE	WEIGHT	SHEET 2 of 3

4

3

2

1

4

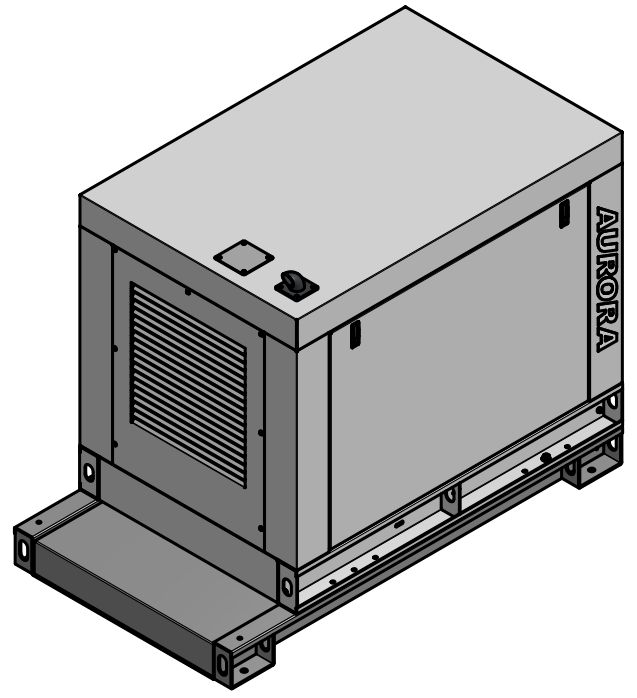
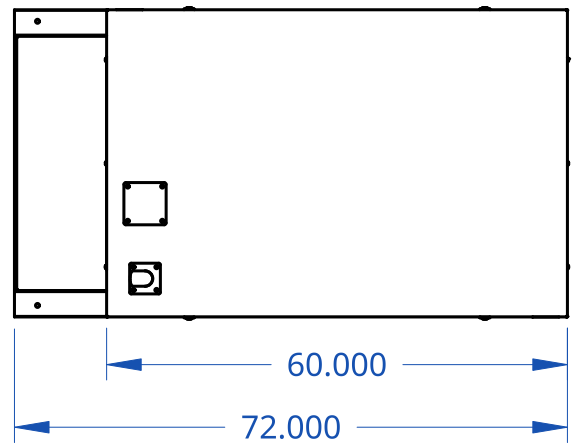
3

2

1

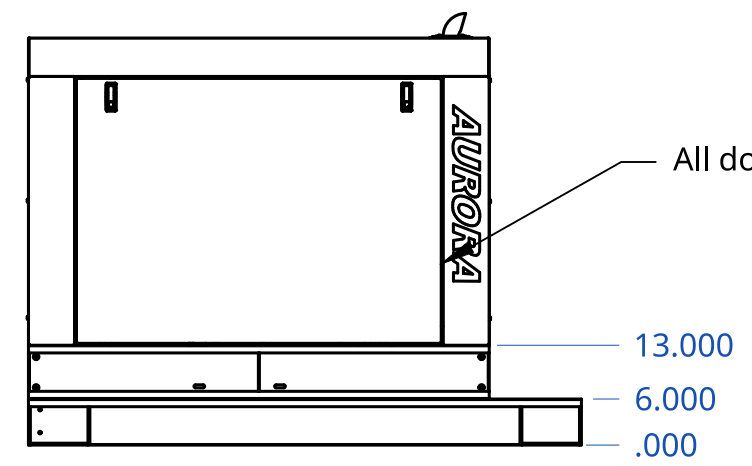
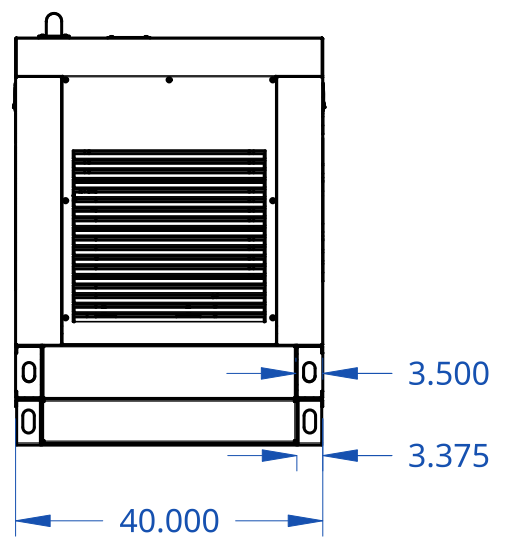
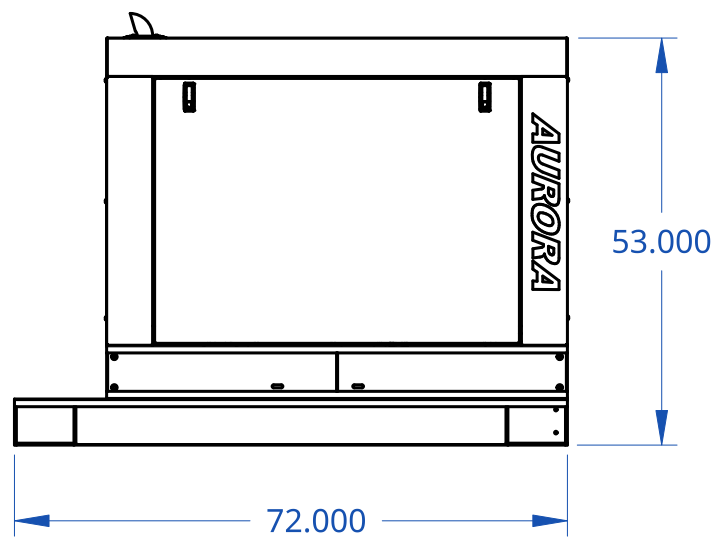
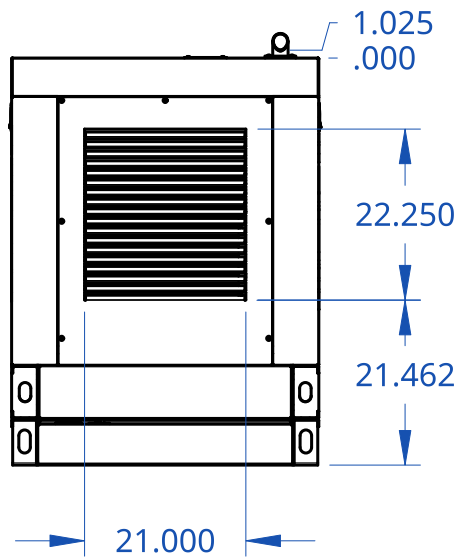
D

D



C

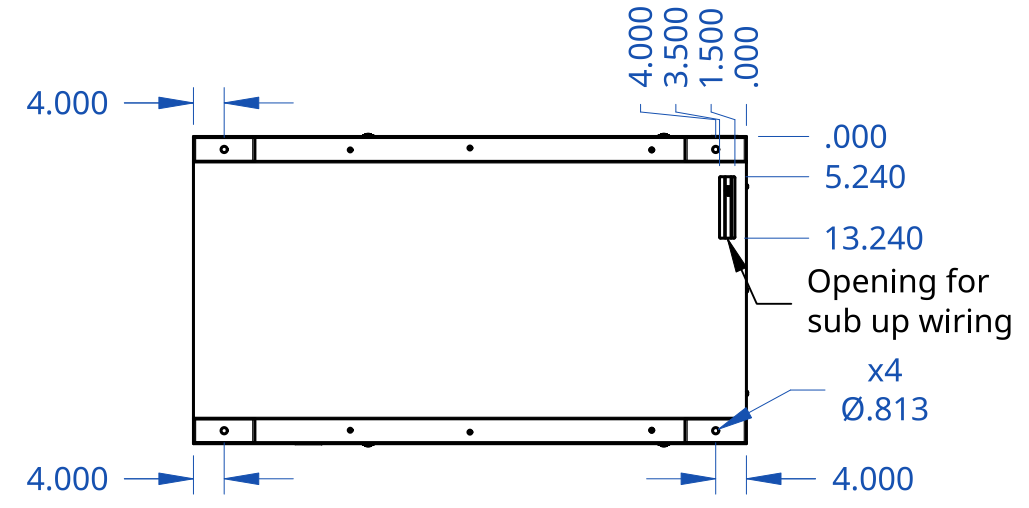
C



All doors fully removable

B

B



A

A

UNLESS OTHERWISE SPECIFIED,
DIMENSIONS ARE IN INCHES
.XXX = ±.015

ANGULAR = ± °
FRACTIONAL = ±

SURFACE FINISH

DO NOT SCALE DRAWING

BREAK ALL SHARP EDGES AND
REMOVE BURRS

THIRD ANGLE PROJECTION

	NAME	DATE
DRAWN	Aurora Generators	12/02/2024
CHECKED		
APPROVED		
MATERIAL	FINISH	

AURORA Generators		
TITLE SKU AGi40H-E-50 40 kW Generator with 50 Gallon Tank Aurora Generators Inc.		
SIZE B	DWG NO. AGi40H-E-50-DWG01	REV. A
SCALE	WEIGHT	SHEET 3 of 3

4

3

2

1