

0CD50-M05780EN

# P R E F A C E

This parts catalog is the 1st edition of 4TNV84T-BGGES.

Published : December, 2019

# Contents

OCD50-M05780

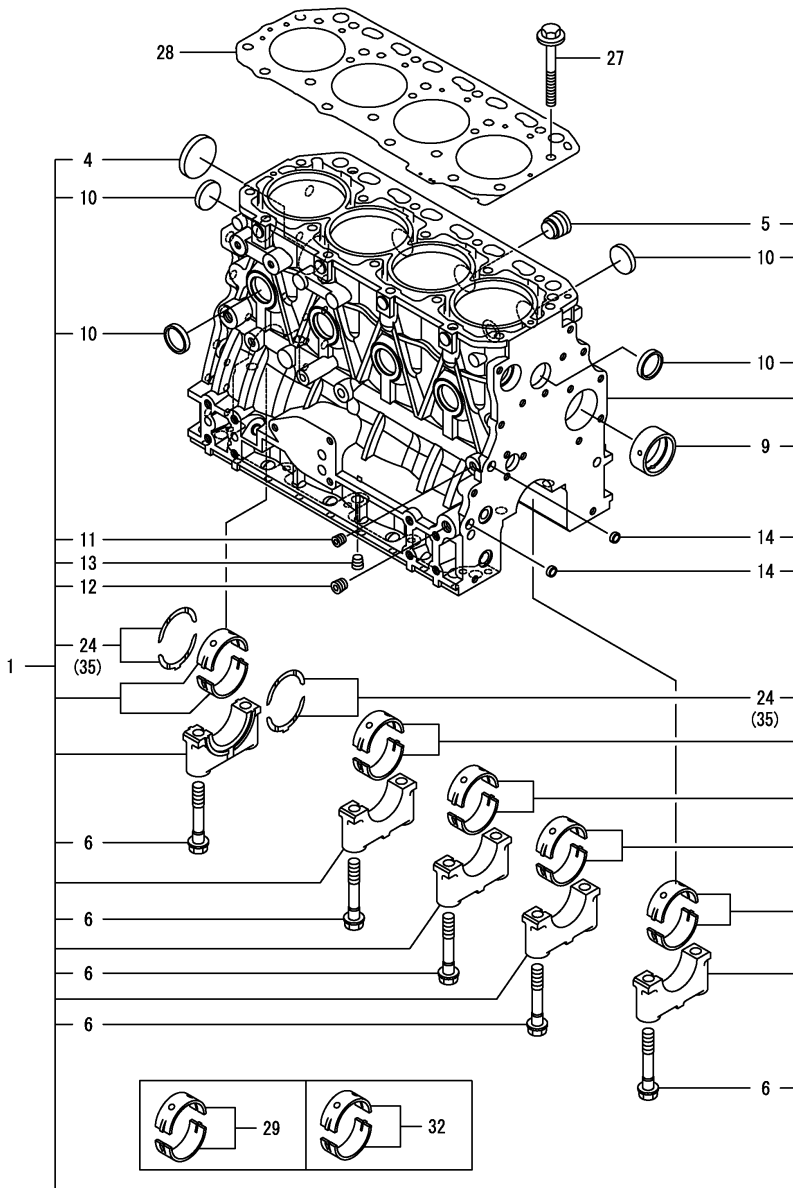
Fig. No. Fig. Name

Fig. No. Fig. Name

## ENGINE

1. CYLINDER BLOCK
2. GEAR HOUSING
3. FLYWHEEL HOUSING & OIL SUMP
4. CYLINDER HEAD & BONNET
5. SUCTION MANIFOLD
6. EXHAUST MANIFOLD
7. CAMSHAFT & DRIVING GEAR
8. TURBINE
9. CRANKSHAFT & PISTON
10. LUB. OIL SYSTEM
11. LUB. OIL PIPE
12. COOLING WATER SYSTEM
13. FUEL INJECTION PUMP
14. GOVERNOR
15. FUEL INJECTION VALVE
16. FUEL PIPE
17. STARTER MOTOR
18. GENERATOR
19. ACCESSORY
20. GASKET SET

Fig.1. CYLINDER BLOCK



(A)=4TNV84T-BGGES  
(B)=  
(C)=

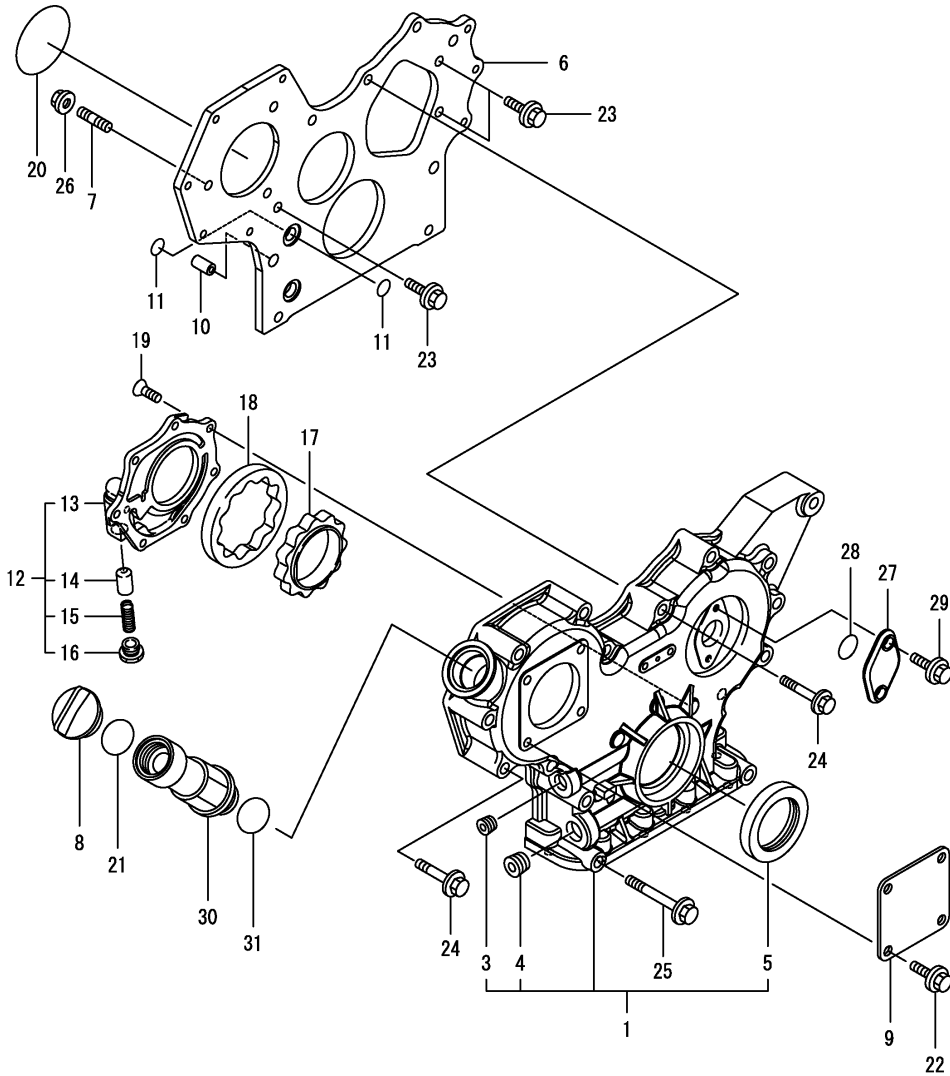
(D)=  
(E)=  
(F)=

No.	Lev.	Parts No.	Description	Q'ty						I	R
				(A)	(B)	(C)	(D)	(E)	(F)		
1	1	729508-01560	BLOCK ASSY, CYLINDER	1							
4	2	129001-01250	PLUG, 50	1							
5	2	171051-01921	PLUG, NPTF1	1							
6	2	129150-02020	BOLT, METAL CAP	10							
9	2	129795-02412	BUSH, CAMSHAFT	1							
10	2	27241-300000	PLUG 30	8							
11	2	124060-01050	PLUG, PT1/8	1							
12	2	124160-01910	PLUG, PT1/4	2							
13	2	124160-01910	PLUG, PT1/4	1							
14	2	27241-120000	PLUG, 12	2							
24	2	129150-02931	METAL ASSY, THRUST	2							
27	1	129150-01200	BOLT, CYLINDER HEAD	18							
28	1	129508-01330	GASKET, HEAD	1							
29	1	129001-02931	METAL ASSY, MAIN	5							1
32	1	129150-02871	METAL ASSY, MAIN .25	5							2
35	1	129150-02941	METAL ASSY, 0.25 OS	1							3

Remarks

- (1) Spare parts.
- (2) Under-sized (U.S.=0.25) parts.
- (3) Over-sized (O.S.=0.25) parts.

Fig.2. GEAR HOUSING



(A)=4TNV84T-BGGES

(B)=

(C)=

(D)=

(E)=

(F)=

No.	Lev.	Parts No.	Description	Q'ty						I	R
				(A)	(B)	(C)	(D)	(E)	(F)		
1	1	729533-01500	CASE ASSY, GEAR	1							
3	2	23876-030000	PLUG, R03	1							
4	2	23876-040000	PLUG, R04	1							
5	2	119934-01800	SEAL, OIL	1							
6	1	119802-01520	FLANGE, GEAR CASE	1							
7	1	119802-01561	STUD, M8X25	3							
8	1	124160-01751	CAP, FILLER	1							
9	1	124240-01871	COVER, HYDRAULIC PUMP	1							
10	1	129795-01950	PIPE, KNOCK L=18	2							
11	1	119609-32040	O-RING, P16	4							
12	1	119802-32100	COVER ASSY, PUMP	1							
13	2	119802-32070	COVER, OIL PUMP	1							
14	2	129900-32130	VALVE, RELIEF	1							
15	2	129418-32320	SPRING	1							
16	2	129001-32330	PLUG	1							
17	1	129508-32111	ROTOR, INNER	1							
18	1	129508-32120	ROTOR, OUTER	1							
19	1	119802-32130	SCREW, M6X16	7							
20	1	121850-51960	O-RING, FUEL PUMP	1							
21	1	24311-000320	O-RING, 1AP32.0	1							
22	1	26106-080162	BOLT, M8X 16 PLATED	4							
23	1	26106-080162	BOLT, M8X 16 PLATED	3							
24	1	26106-080552	BOLT, M8X 55 PLATED	12							
25	1	26106-080852	BOLT, M8X 85 PLATED	3							
26	1	26306-080002	NUT, M8	3							
27	1	121023-01551	COVER, TACHOMETER	1							
28	1	24341-000240	O-RING, 1AS24.0	1							
29	1	26106-060162	BOLT, M6X 16 PLATED	2							
30	1	171031-11741	PIPE, FILLER	1							
31	1	24311-000320	O-RING, 1AP32.0	1							

Fig.3. FLYWHEEL HOUSING & OIL SUMP

(A)=4TNV84T-BGGES

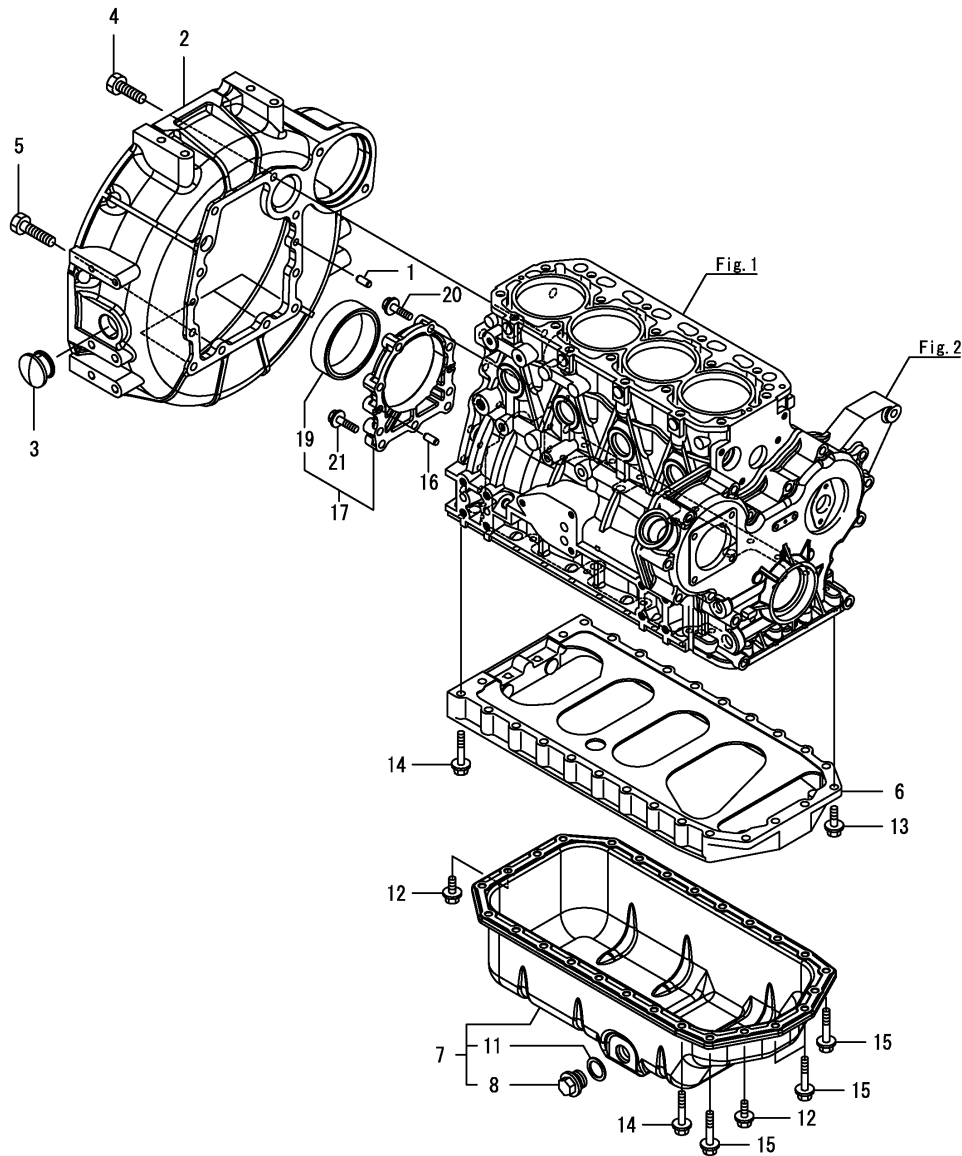
(B)=

(C)=

(D)=

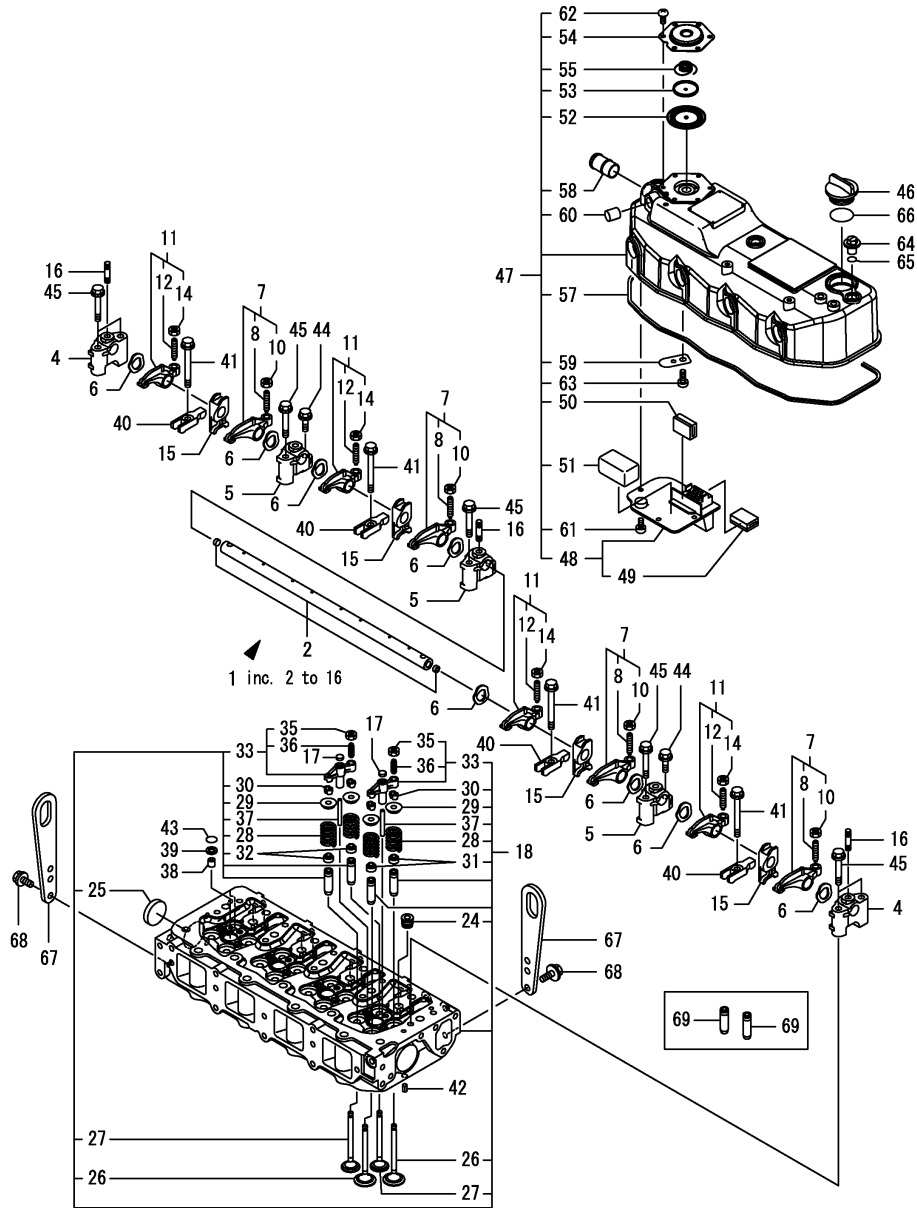
(E)=

(F)=



No.	Lev.	Parts No.	Description	Q'ty						I	R
				(A)	(B)	(C)	(D)	(E)	(F)		
1	1	129100-01580	PIN, PARALLEL 8X16	2							
2	1	171420-01600	HOUSING, FLYWHEEL	1							
3	1	119620-01750	CAP, WHEEL COVER	1							
4	1	26206-100252	BOLT, M10X 25 PLATED	6							
5	1	26206-100302	BOLT, M10X 30 PLATED	4							
6	1	129400-01730	SPACER, OIL PAN	1							
7	1	129688-01780	OIL PAN ASSY	1							
8	2	119640-01640	PLUG, DRAIN M22	1							
11	2	22190-220002	WASHER, SEAL 22	1							
12	1	26106-080162	BOLT, M8X 16 PLATED	4							
13	1	26106-080252	BOLT, M8X 25 PLATED	2							
14	1	26106-080452	BOLT, M8X 45 PLATED	20							
15	1	26106-080502	BOLT, M8X 50 PLATED	4							
16	1	129100-01580	PIN, PARALLEL 8X16	2							
17	1	129648-01600	CASE ASSY, OIL SEAL	1							
19	2	129648-01780	SEAL, OIL	1							
20	1	129486-01670	BOLT, M8X30	6							
21	1	26106-080352	BOLT, M8X 35 PLATED	3							

Fig.4. CYLINDER HEAD & BONNET



(A)=4TNV84T-BGGES

(B)=

(C)=

(D)=

(E)=

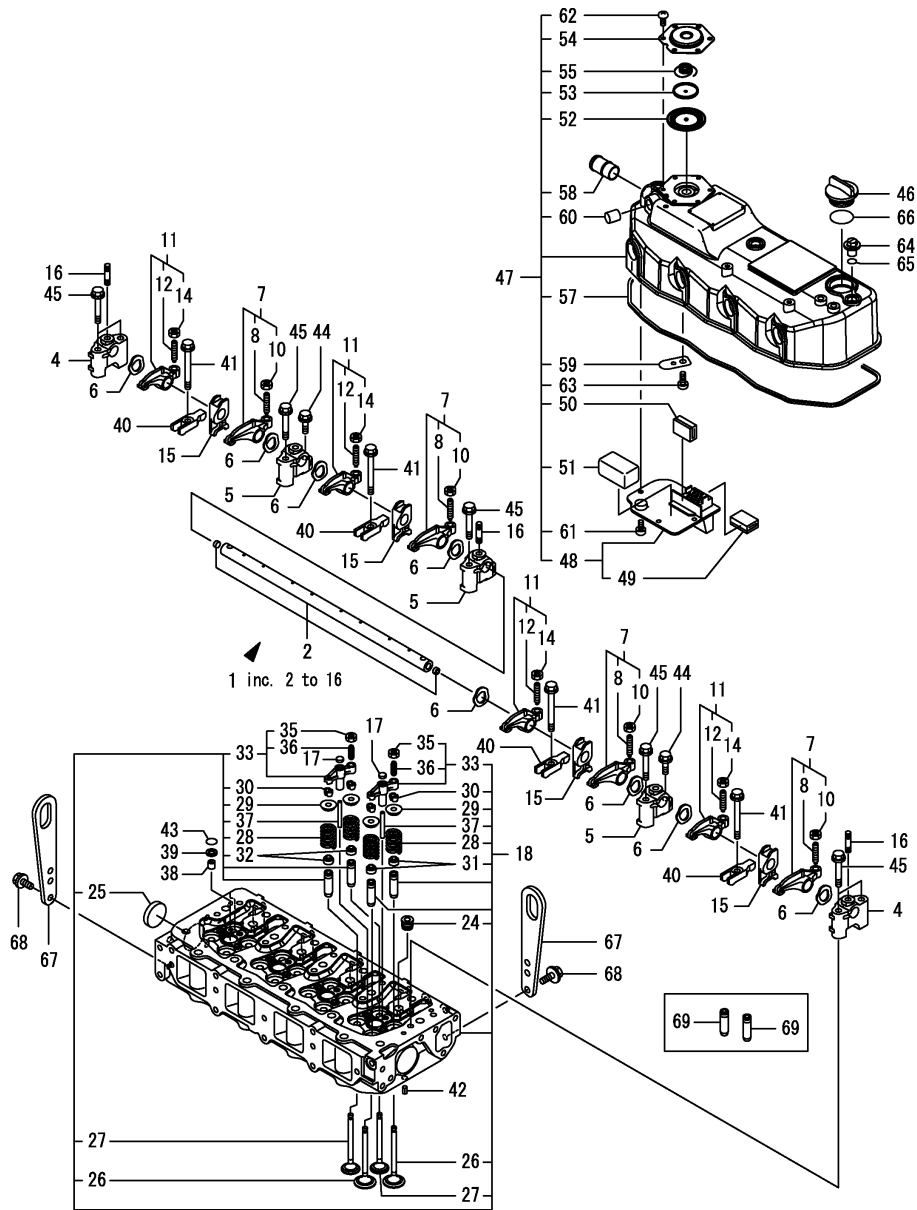
(F)=

No.	Lev.	Parts No.	Description	Q'ty						I	R
				(A)	(B)	(C)	(D)	(E)	(F)		
1	1	129508-11241	SHAFT ASSY, ROCKER	1							
2	2	129508-11250	SHAFT, ROCKER ARM	1							
4	2	129508-11260	SUPPORT, ROCKER A	2							
5	2	129508-11270	SUPPORT, ROCKER B	3							
6	2	129508-11280	WASHER, WAVE	8							
7	2	129508-11650	ARM ASSY, ROCKER INT	4							
8	3	129150-11230	SCREW, VALVE ADJUST	4							
10	3	129150-11750	NUT, M8XP1.0	4							
11	2	129508-11660	ARM ASSY, ROCKER EXH	4							
12	3	129150-11230	SCREW, VALVE ADJUST	4							
14	3	129150-11750	NUT, M8XP1.0	4							
15	2	129508-11920	RETAINER, NOZZLE	4							
16	2	26226-080352	STUD, M8X 35	3							
17	1	123907-11550	SEAT, VALVE BRIDGE	8							
18	1	129509-11700	HEAD ASSY, CYLINDER	1							
24	2	23876-020000	PLUG, R02	4							
25	2	27241-400000	PLUG, 40	2							
26	2	129508-11100	VALVE, INTAKE	8							
27	2	129508-11110	VALVE, EXHAUST	8							
28	2	129508-11130	SPRING, VALVE	16							
29	2	129508-11180	RETAINER, SPRING	16							
30	2	119717-11190	COTTER, VALVE	32							
31	2	119717-11340	SEAL, VALVE STEM	8							
32	2	119717-11350	SEAL, VALVE STEM	8							
33	2	129672-11510	BRIDGE ASSY, VALVE	8							
35	3	129150-11750	NUT, M8XP1.0	8							
36	3	123907-11830	ADJUSTER, BRIDGE	8							
37	2	129508-11820	GUIDE, BRIDGE	8							
38	1	119802-11870	PROTECTOR, NOZZLE	4							
39	1	119625-11880	SEAT, NOZZLE	4							
40	1	129508-11900	RETAINER, NOZZLE	4							
41	1	129907-11950	BOLT, VALVE HOLDER	4							
42	1	22351-060012	PIN, SPRING 6.0X12	2							
43	1	24311-000120	O-RING, 1AP12.0	4							
44	1	26106-080252	BOLT, M8X 25 PLATED	3							
45	1	26106-080502	BOLT, M8X 50 PLATED	7							
46	1	124160-01751	CAP, FILLER	1							
47	1	129584-11350	BONNET ASSY, HEAD	1							
48	2	129508-03010	PLATE, BAFFLE	1							
49	3	119802-03070	BAFFLE, BREATHER	1							
50	2	129150-03070	BAFFLE, BREATHER	1							
51	2	129907-03070	BAFFLE, BREATHER	1							
52	2	123907-03100	DIAPHRAGM, BREATHER	1							
53	2	123907-03110	PLATE, CENTER	1							
54	2	123907-03120	PLATE, BREATHER	1							
55	2	123907-03140	SPRING, DIAPHRAGM	1							
57	2	129508-11310	GASKET, BONNET	1							
58	2	129001-11340	PIPE, BREATHER	1							
59	2	129009-11340	SPRING, PLATE	1							
60	2	119640-61400	PLUG	1							
61	2	22857-500100	SCREW, 5X10	4							

Remarks

(1) Spare parts.

Fig.4. CYLINDER HEAD & BONNET



(A)=4TNV84T-BGGES

(B)=

(C)=

(D)=

(E)=

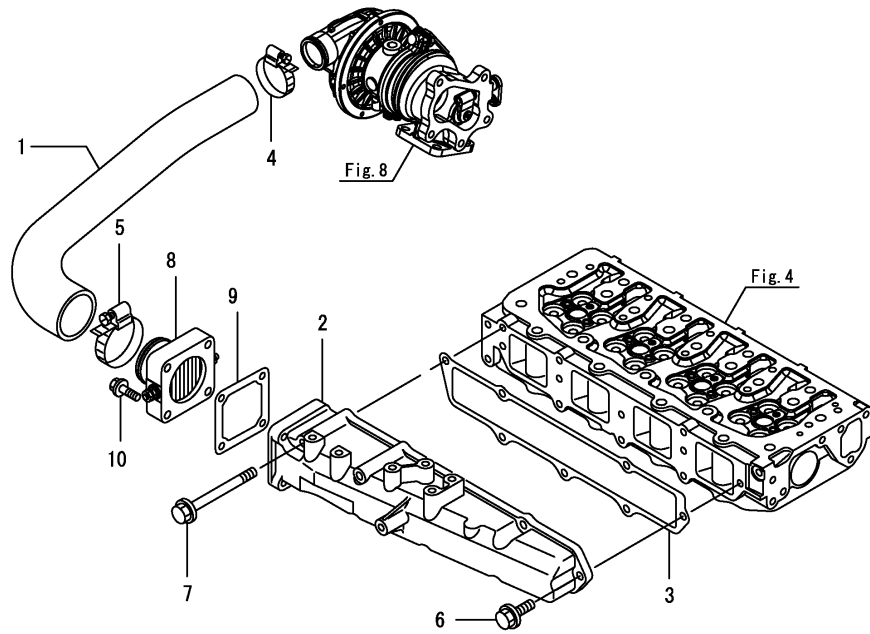
(F)=

No.	Lev.	Parts No.	Description	Q'ty						I	R
				(A)	(B)	(C)	(D)	(E)	(F)		
62	2	22857-500100	SCREW, 5X10	6							
63	2	22857-500100	SCREW, 5X10	1							
64	1	124160-11360	KNOB, BONNET	3							
65	1	24311-000120	O-RING, 1AP12.0	3							
66	1	24311-000320	O-RING, 1AP32.0	1							
67	1	129900-07900	LIFTER, ENGINE	2							
68	1	26106-080162	BOLT, M8X 16 PLATED	4							
69	1	119717-11800	GUIDE, VALVE	16							1

Remarks

(1) Spare parts.

Fig.5. SUCTION MANIFOLD



(A)=4TNV84T-BGGES  
(B)=  
(C)=

(D)=  
(E)=  
(F)=

No.	Lev.	Parts No.	Description	Q'ty						I	R
				(A)	(B)	(C)	(D)	(E)	(F)		
1	1	129584-12060	HOSE, AIR INTAKE	1							
2	1	129508-12101	MANIFOLD, INTAKE	1							
3	1	129508-12110	GASKET, MANIFOLD	1							
4	1	23000-048000	CLAMP, 48	1							
5	1	23000-060000	CLAMP, 60	1							
6	1	26106-080202	BOLT, M8X 20 PLATED	5							
7	1	26106-080802	BOLT, M8X 80 PLATED	2							
8	1	129120-77502	HEATER, AIR	1							
9	1	129150-77511	GASKET, AIR HEATER	1							
10	1	26106-080352	BOLT, M8X 35 PLATED	4							

Fig.6. EXHAUST MANIFOLD

(A)=4TNV84T-BGGES  
(B)=  
(C)=

(D)=  
(E)=  
(F)=

No.	Lev.	Parts No.	Description	Q'ty						I	R
				(A)	(B)	(C)	(D)	(E)	(F)		
1	1	129550-13110	GASKET, MANIFOLD	1							
2	1	129403-13120	MANIFOLD, EXHAUST	1							
3	1	119802-13651	BOLT, M8X65 10.9T	3							
4	1	119802-13671	BOLT, M8X85 10.9T	1							
5	1	119802-13821	BOLT, M8X100 9.8T	4							
6	1	119131-18320	STUD, M8X22	4							

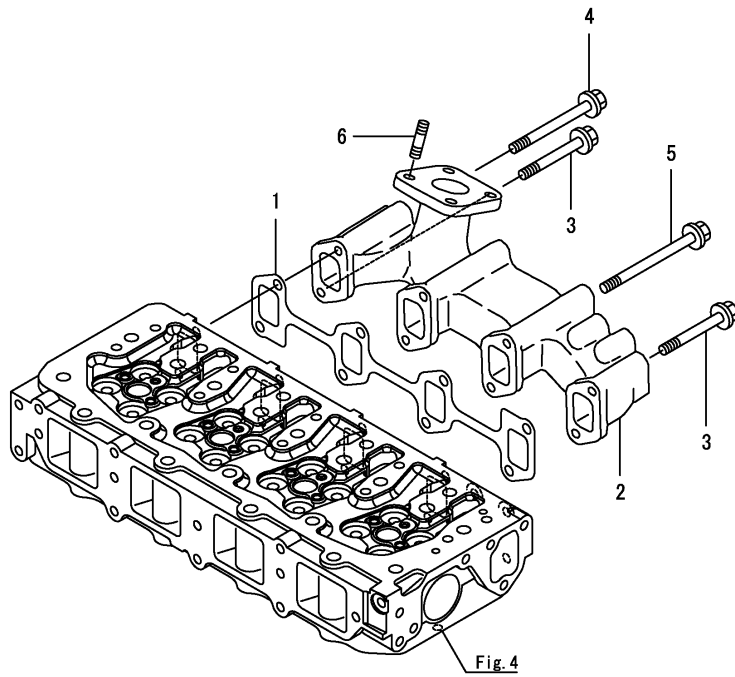


Fig.7. CAMSHAFT & DRIVING GEAR

(A)=4TNV84T-BGGES

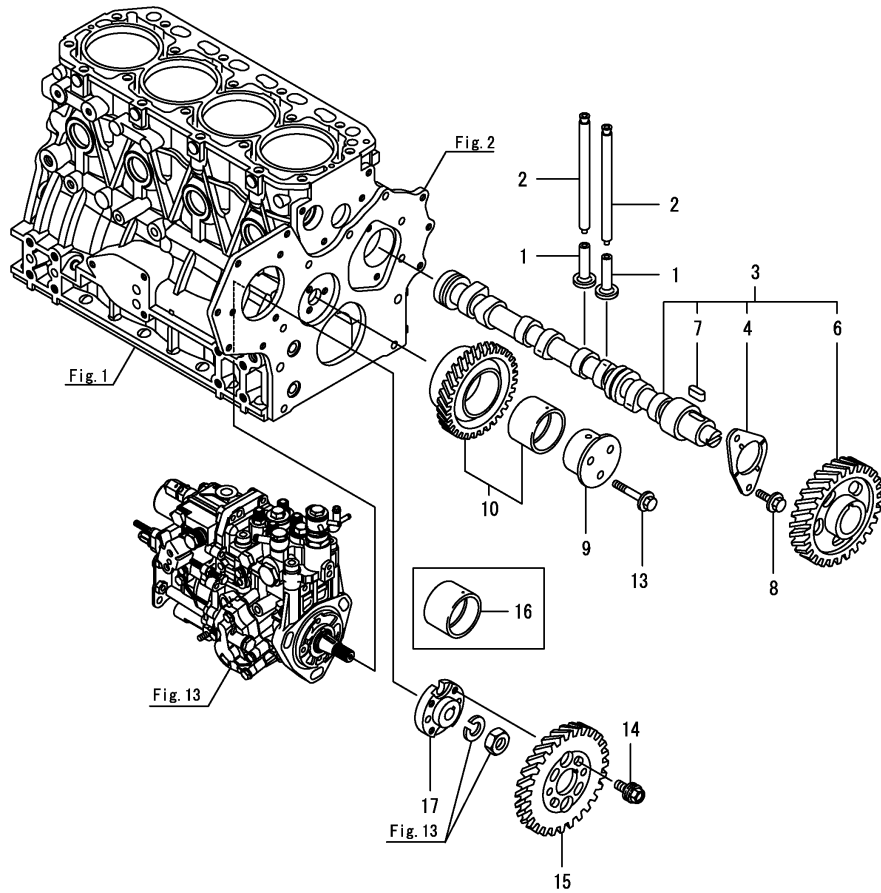
(B)=

(C)=

(D)=

(E)=

(F)=



No.	Lev.	Parts No.	Description	Q'ty						I	R
				(A)	(B)	(C)	(D)	(E)	(F)		
1	1	129150-14200	TAPPET	8							
2	1	129150-14400	ROD, PUSH L=178	8							
3	1	129508-14580	CAMSHAFT ASSY	1							
4	2	129150-02450	METAL, THRUST	1							
6	2	129150-14101	GEAR, CAMSHAFT	1							
7	2	22512-070140	KEY, 7X 14	1							
8	1	26106-080142	BOLT, M8X 14 PLATED	2							
9	1	119802-25051	SHAFT, IDLE GEAR	1							
10	1	119802-25101	GEAR ASSY, IDLE	1							
13	1	26106-080402	BOLT, M8X 40 PLATED	3							
14	1	129150-25301	BOLT, INJECTION PUMP	4							
15	1	119802-25901	GEAR, PUMP	1							
16	1	119802-25071	BUSH, IDLE GEAR	1							
17	1	158552-51151	FLANGE, CAMSHAFT	1							1

Remarks

(1)Spare parts.

Fig.8. TURBINE

(A)=4TNV84T-BGGES  
(B)=  
(C)=

(D)=  
(E)=  
(F)=

No.	Lev.	Parts No.	Description	Q'ty						I	R
				(A)	(B)	(C)	(D)	(E)	(F)		
1	1	129508-18021	TURBINE, RHF4	1							
2	1	129508-18080	GASKET, TURBINE IN	1							
3	1	129418-18320	STUD, M8X20	5							
4	1	26306-080002	NUT, M8	5							

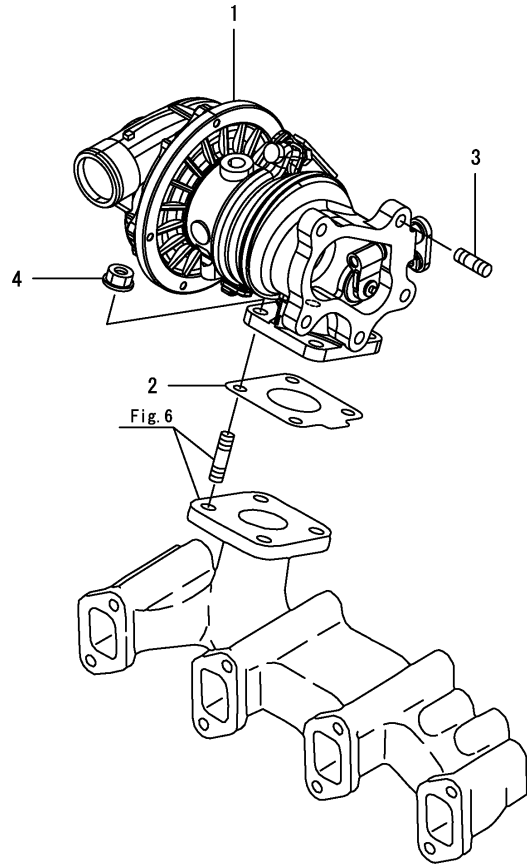


Fig.9. CRANKSHAFT & PISTON

(A)=4TNV84T-BGGES

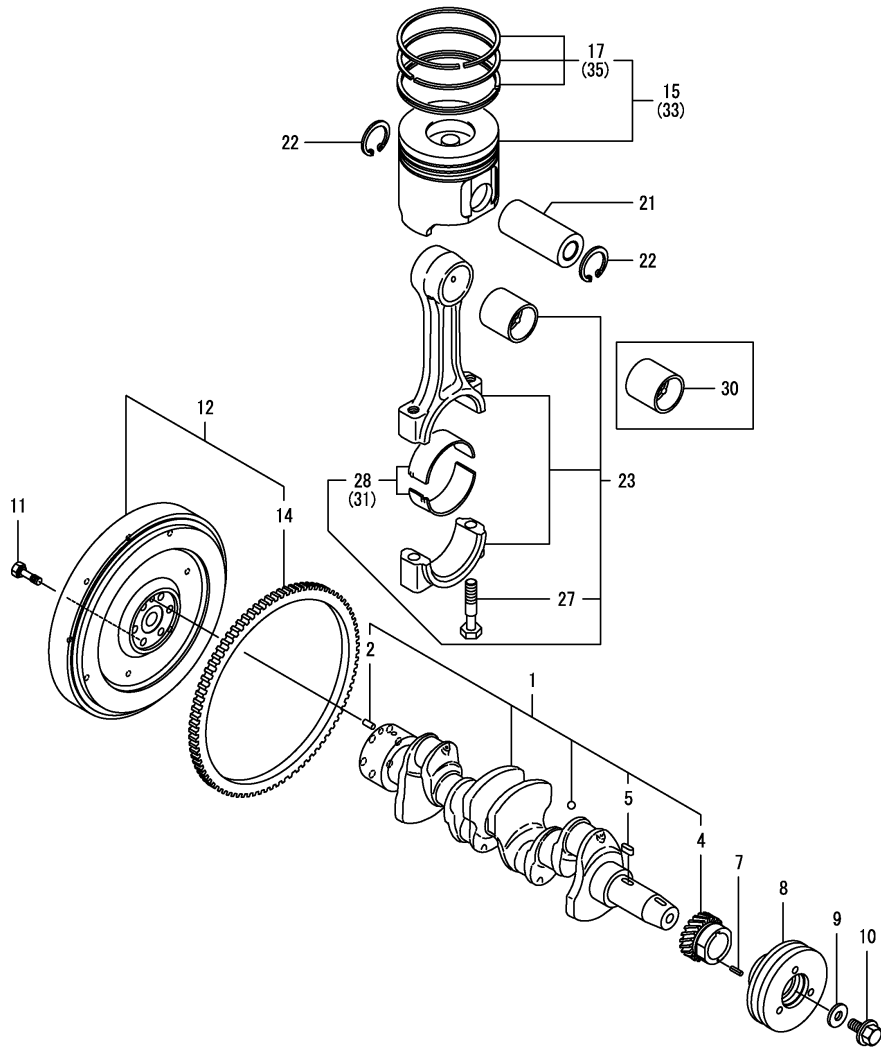
(B)=

(C)=

(D)=

(E)=

(F)=



No.	Lev.	Parts No.	Description	Q'ty						I	R
				(A)	(B)	(C)	(D)	(E)	(F)		
1	1	129508-21002	CRANKSHAFT ASSY	1							
2	2	129100-01580	PIN, PARALLEL 8X16	1							
4	2	119802-21202	GEAR, CRANKSHAFT	1							
5	2	22512-070140	KEY, 7X 14	1							
7	1	22351-030010	PIN, SPRING 3.0X10	1							
8	1	119802-21660	V-PULLEY, CRANKSHAFT	1							
9	1	129795-21661	WASHER, 14	1							
10	1	121850-21680	BOLT, V-PULLEY	1							
11	1	121111-21501	BOLT, FLYWHEEL	6							
12	1	171420-21590	FLYWHEEL ASSY	1							
14	2	124550-21600	GEAR, RING Z=127	1							
15	1	129508-22080	PISTON ASSY	4							
17	2	129004-22500	RING SET, PISTON	4							
21	1	129202-22300	PIN, PISTON D26 L70	4							
22	1	22252-000260	RING, 26	8							
23	1	729402-23100	ROD ASSY, CONNECTING	4							
27	2	121550-23200	BOLT, CONNECTING ROD	8							
28	2	129150-23601	METAL ASSY, CRANK PIN	4							
30	1	129100-23910	METAL, PISTON PIN	4							1
31	1	129150-23611	METAL, CRANK PIN .25	4							2
33	1	129508-22900	PISTON ASSY, 0.25 OS	4							3
35	2	129004-22950	RING SET, PISTON .25	4							3

Remarks

- (1) Spare parts.
- (2) Under-sized (U.S.=0.25) parts.
- (3) Over-sized (O.S.=0.25) parts.

Fig.10. LUB. OIL SYSTEM

(A)=4TNV84T-BGGES

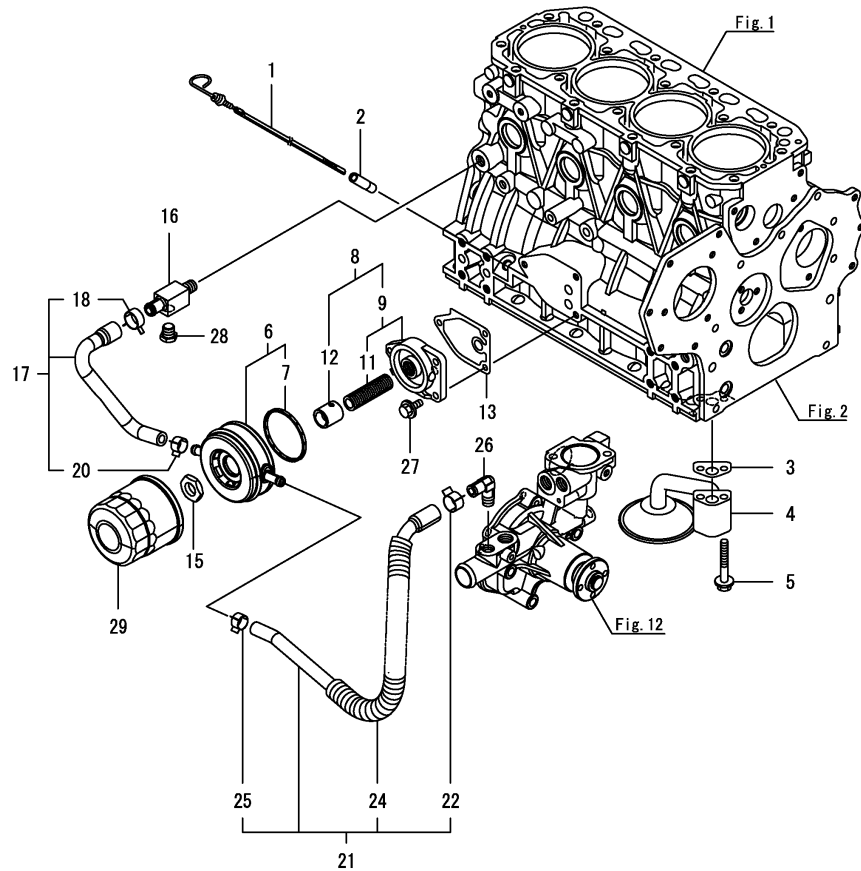
(B)=

(C)=

(D)=

(E)=

(F)=

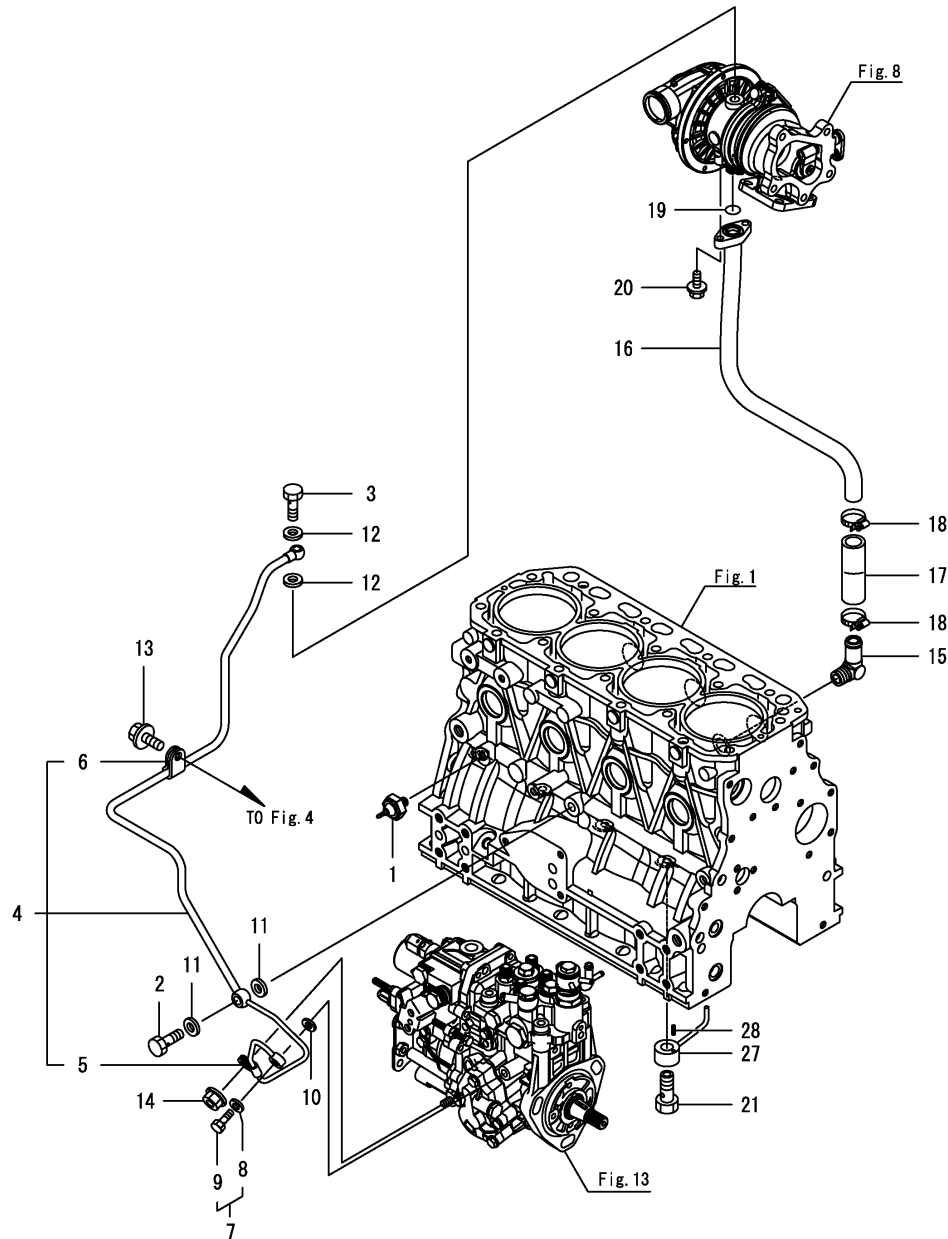


No.	Lev.	Parts No.	Description	Q'ty						I	R
				(A)	(B)	(C)	(D)	(E)	(F)		
1	1	129004-34802	DIPSTICK, OIL	1							
2	1	121520-34810	GUIDE, DIPSTICK	1							
3	1	129150-35042	GASKET, INLET PIPE	1							
4	1	129436-35070	PIPE ASSY, OIL INLET	1							
5	1	26106-080552	BOLT, M8X 55 PLATED	2							
6	1	129508-33031	COOLER ASSY, OIL	1							
7	2	129508-33060	GASKET, COOLER	1							
8	1	129508-35100	BRACKET ASSY, LO FILT	1							
9	1	129006-35100	BRACKET ASSY, FILTER	1							
11	2	129417-35150	STUD, M20X67	1							
12	2	129508-35150	COLLAR, OIL-COOLER	1							
13	1	129150-35111	GASKET, BRACKET	1							
15	1	124085-35350	NUT, M20	1							
16	1	129006-44480	JOINT, R02	1							
17	1	129508-49030	HOSE ASSY, COOLER IN	1							
18	2	171008-03990	CLAMP, HOSE 18.5	1							
20	2	23080-015000	CLAMP, 15	1							
21	1	129508-49040	HOSE ASSY, COOLER OUT	1							
22	2	171008-03990	CLAMP, HOSE 18.5	1							
24	2	119940-59130	TUBE, CORRUGATED 19	1							
25	2	23080-015000	CLAMP, 15	1							
26	1	129103-49301	ELBOW, PT1/4	1							
27	1	26106-080202	BOLT, M8X 20 PLATED	3							
28	1	171056-49120	PLUG, DRAIN R1/4	1							
29	1	129150-35170	FILTER ASSY, D80X80L	1							1

Remarks

(1) Spare parts.

Fig.11. LUB. OIL PIPE



(A)=4TNV84T-BGGES

(B)=

(C)=

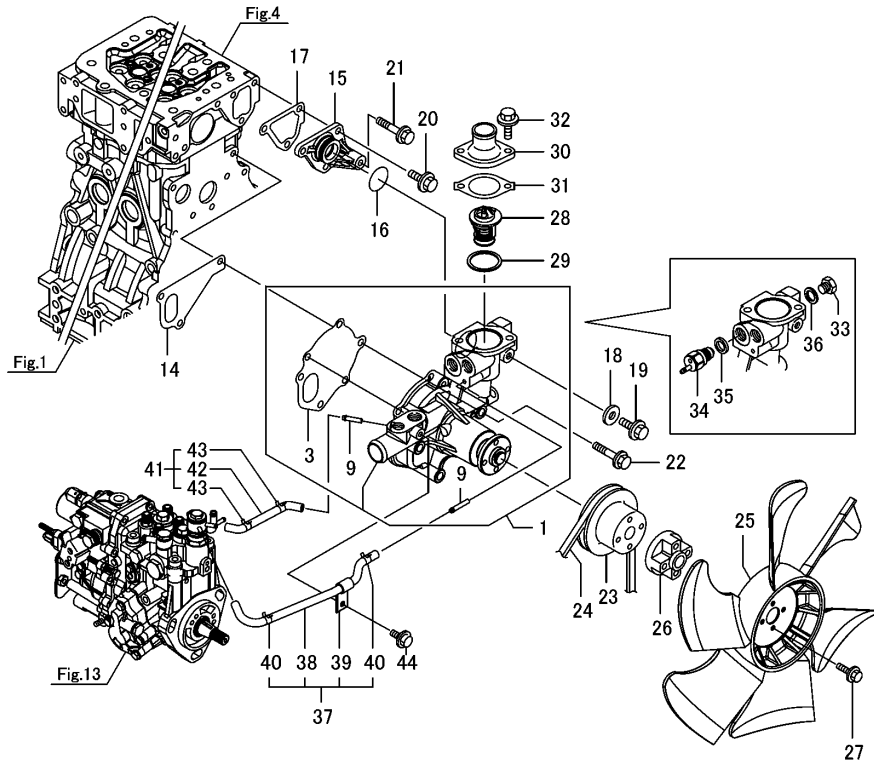
(D)=

(E)=

(F)=

No.	Lev.	Parts No.	Description	Q'ty						I	R
				(A)	(B)	(C)	(D)	(E)	(F)		
1	1	114250-39450	SWITCH, HYDRAULIC	1							
2	1	124160-39140	BOLT, PIPE JOINT M10	1							
3	1	121252-39150	BOLT, JOINT M10X1.5	1							
4	1	129508-39450	PIPE ASSY, OIL	1							
5	2	119802-39500	RETAINER, PIPE	1							
6	2	124223-39900	RETAINER	1							
7	1	129005-59830	BOLT ASSY, JOINT M8	1							
8	2	22190-080002	WASHER, SEAL 8	1							
9	2	23857-030000	BOLT, JOINT 3	1							
10	1	22190-080002	WASHER, SEAL 8	1							
11	1	22190-100002	WASHER, SEAL 10	2							
12	1	23414-100000	GASKET, 10X1.0	2							
13	1	26106-080122	BOLT, M8X 12 PLATED	1							
14	1	26366-060002	NUT, M6	1							
15	1	124070-13300	ELBOW, PT3/8	1							
16	1	129508-39600	PIPE, OIL RETURN	1							
17	1	123901-39820	HOSE, OIL RETURN	1							
18	1	23000-025000	CLAMP, 25	2							
19	1	24316-000160	O-RING, 4DP16.0	1							
20	1	26106-060162	BOLT, M6X 16 PLATED	2							
21	1	129792-39410	VALVE ASSY, CHECK	4							
27	1	129553-39650	NOZZLE, COOLING	4							
28	1	22351-030010	PIN, SPRING 3.0X10	4							

Fig.12. COOLING WATER SYSTEM



(A)=4TNV84T-BGGES  
(B)=  
(C)=

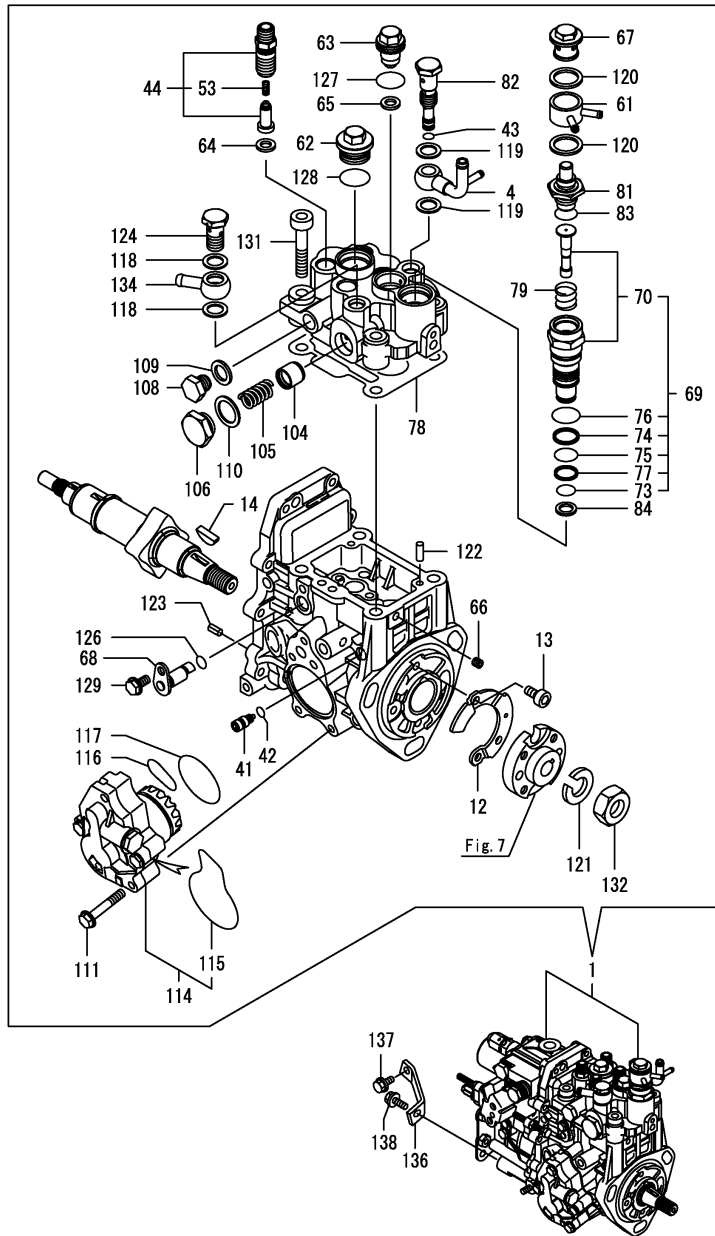
(D)=  
(E)=  
(F)=

No.	Lev.	Parts No.	Description	Q'ty						I	R
				(A)	(B)	(C)	(D)	(E)	(F)		
1	1	129508-42002	PUMP ASSY, CW	1							
3	2	129100-42051	GASKET, WATER PUMP	1							
9	2	119802-49113	JOINT, PIPE	2							
14	1	129486-42021	GASKET, WATER PUMP	1							
15	1	129004-42040	JOINT, WATER PIPE	1							
16	1	129486-42140	O-RING, G30	1							
17	1	124395-49840	GASKET, THERMOSTAT	1							
18	1	23414-080000	GASKET, 8X1.0	1							
19	1	26106-080122	BOLT, M8X 12 PLATED	1							
20	1	26106-080162	BOLT, M8X 16 PLATED	3							
21	1	26106-080452	BOLT, M8X 45 PLATED	1							
22	1	26106-080602	BOLT, M8X 60 PLATED	3							
23	1	129155-42350	V-PULLEY, PUMP	1							
24	1	119831-42290	V-BELT, A37.5	1							
25	1	129612-44700	FAN, COOLING	1							
26	1	121267-44760	SPACER, FAN 18MM	1							
27	1	26106-060302	BOLT, M6X 30 PLATED	4							
28	1	129155-49801	THERMOSTAT, 71C	1							
29	1	129150-49811	GASKET, THERMOSTAT	1							
30	1	129350-49530	COVER, THERMOSTAT	1							
31	1	129795-49551	GASKET, COVER	1							
32	1	26106-080222	BOLT, M8X 22 PLATED	2							
33	1	121450-42450	PLUG, M16	1							
34	1	121250-44901	SWITCH, TEMPERATURE	1							
35	1	124465-44950	GASKET, 16	1							
36	1	124465-44950	GASKET, 16	1							
37	1	129004-49610	HOSE ASSY, WATER A	1							
38	2	129004-49711	HOSE, WATER A	1							
39	2	119802-49730	RETAINER, PIPE	1							
40	2	124722-59050	CLAMP, HOSE 9	2							
41	1	129004-49620	HOSE ASSY, WATER B	1							
42	2	129004-49721	HOSE, WATER B	1							
43	2	124722-59050	CLAMP, HOSE 9	2							
44	1	26106-060122	BOLT, M6X 12 PLATED	1							

Fig.13. FUEL INJECTION PUMP

(A)=4TNV84T-BGGES  
(B)=  
(C)=

(D)=  
(E)=  
(F)=



No.	Lev.	Parts No.	Description	Q'ty						I	R
				(A)	(B)	(C)	(D)	(E)	(F)		
1	1	729584-51300	PUMP ASSY, INJECTION	1							1
4	2	158552-51670	JOINT, OVERFLOW	1							
12	2	129008-51900	COVER, PUMP	1							
13	2	129008-51920	BOLT, M6X10	2							
14	2	119802-51090	KEY, FEATHER 4X16	1							
41	2	158600-51270	STOPPER, TAPPET	1							
42	2	158563-51281	O-RING, 4D S6	1							
43	2	158563-51281	O-RING, 4D S6	1							
44	2	129509-51390	VALVE ASSY, DELIVERY	4							
53	3	158563-51330	SPRING, DELIVERY	4							
61	2	158553-51551	JOINT, COOLING WATER	1							
62	2	158601-51550	PLUG, M22	1							
63	2	119802-51560	PLUG, BARREL M14	1							
64	2	158552-51571	GASKET, BARREL PLUG	4							
65	2	158552-51571	GASKET, BARREL PLUG	1							
66	2	158557-51570	PLUG, RACK	1							
67	2	158601-51570	PLUG	1							
68	2	158552-51580	LIFTER, LINK	1							
69	2	119802-51590	TIMER ASSY	1							
70	3	119802-51600	TIMER ASSY	1							
73	3	158553-51670	O-RING, PUMP TIMER	1							
74	3	119802-51680	RING, BACKUP	1							
75	3	119802-51690	O-RING, 1016	1							
76	3	24356-190200	O-RING, 4D19020	1							
77	3	24372-000150	RING, BACK UP T2P15	1							
78	2	158552-51600	GASKET, HEAD	1							
79	2	158553-51630	SPRING, TIMER	1							
81	2	158553-51640	ELEMENT, THERMOSTAT	1							
82	2	158601-51650	JOINT, OVERFLOW	1							
83	2	158553-51660	O-RING, P14	1							
84	2	158553-51680	GASKET, TIMER	1							
104	2	158601-51770	PISTON, ACCUMULATOR	1							
105	2	158552-51781	SPRING, ACCUMULATOR	1							
106	2	158601-51790	PLUG, ACCUMULATOR	1							
108	2	158553-51930	PLUG, M12	1							
109	2	22190-120002	WASHER, SEAL 12	1							
110	2	22190-180002	WASHER, SEAL 18	1							
111	2	158553-51770	BOLT	4							
114	2	158552-52100	PUMP ASSY, FUEL FEED	1							
115	3	158552-52500	O-RING, PUMP INNER	1							
116	2	158552-52311	O-RING, FEED PUMP	1							
117	2	158552-52400	O-RING, 4E S42	1							
118	2	22190-120002	WASHER, SEAL 12	2							
119	2	22190-120002	WASHER, SEAL 12	2							
120	2	22190-180002	WASHER, SEAL 18	2							
121	2	22217-140000	WASHER, SPRING 14	1							
122	2	22312-050140	PIN, PARALLEL 5X14	2							
123	2	22351-050010	PIN, SPRING 5.0X10	2							
124	2	23857-060000	BOLT, JOINT 6	1							
126	2	24311-000070	O-RING, 1AP7.0	1							
127	2	24356-190180	O-RING, 4D19018	1							

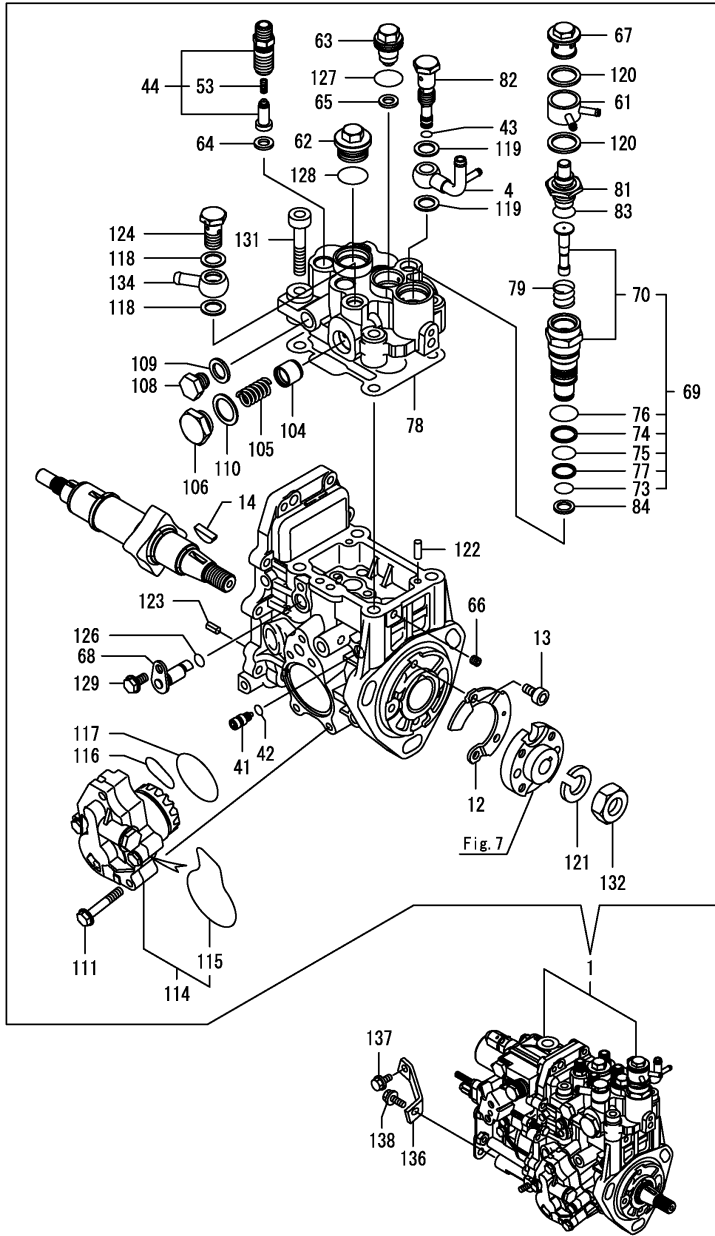
Remarks

(1)Governor(Fig.14) is incorporated in this Fuel Injection Pump(No.1).

Fig.13. FUEL INJECTION PUMP

(A)=4TNV84T-BGGES  
(B)=  
(C)=

(D)=  
(E)=  
(F)=



No.	Lev.	Parts No.	Description	Q'ty						I	R
				(A)	(B)	(C)	(D)	(E)	(F)		
128	2	24356-190200	O-RING, 4D19020	1							
129	2	26106-060102	BOLT, M6X 10 PLATED	1							
131	2	26450-080452	BOLT, M8X 45	4							
132	2	26776-140002	NUT, LOCK M14	1							
134	2	129916-59020	JOINT, PIPE 12	1							
136	1	129601-51250	RETAINER, FUEL PUMP	1							
137	1	26106-080162	BOLT, M8X 16 PLATED	1							
138	1	26106-080202	BOLT, M8X 20 PLATED	1							

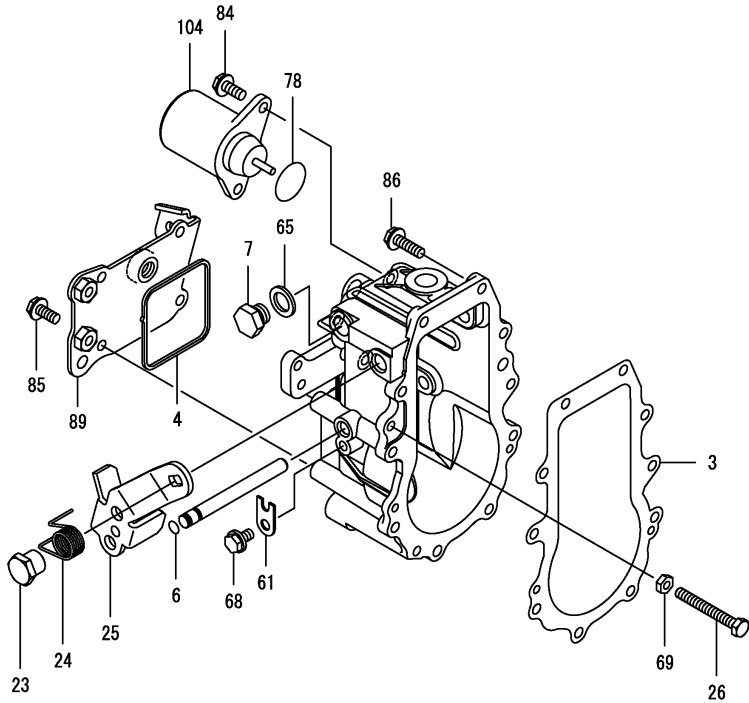
Remarks

(1)Governor(Fig.14) is incorporated in this Fuel Injection Pump(No.1).

Fig.14. GOVERNOR

(A)=4TNV84T-BGGES  
(B)=  
(C)=

(D)=  
(E)=  
(F)=



No.	Lev.	Parts No.	Description	Q'ty						I	R
				(A)	(B)	(C)	(D)	(E)	(F)		
3	2	158553-61050	GASKET, CASE	1							
4	2	158553-61070	GASKET, CASE	1							
6	2	129155-51280	O-RING, S6	1							
7	2	158553-51930	PLUG, M12	1							
23	2	129255-61410	NUT, CONTROL LEVER	1							
24	2	119807-61420	SPRING, RETURN	1							
25	2	129246-61441	LEVER, REGULATOR	1							
26	2	129155-61460	BOLT, IDLE LIMIT	1							
61	2	119660-61901	STOPPER, SHAFT	1							
65	2	22190-120002	WASHER, SEAL 12	1							
68	2	26106-060102	BOLT, M6X 10 PLATED	1							
69	2	26756-060002	NUT, LOCK M6	1							
78	2	158552-61900	O-RING	1							
84	2	26106-060142	BOLT, M6X 14 PLATED	2							
85	2	26106-060142	BOLT, M6X 14 PLATED	4							
86	2	26106-060202	BOLT, M6X 20 PLATED	10							
89	2	129246-61061	COVER, GOVERNOR CASE	1							
104	2	119653-77950	SOLENOID, STOP	1							

Remarks

\* This figure(Governor) is incorporated in the Fuel Injection Pump(Fig.13).

Fig.15. FUEL INJECTION VALVE

(A)=4TNV84T-BGGES

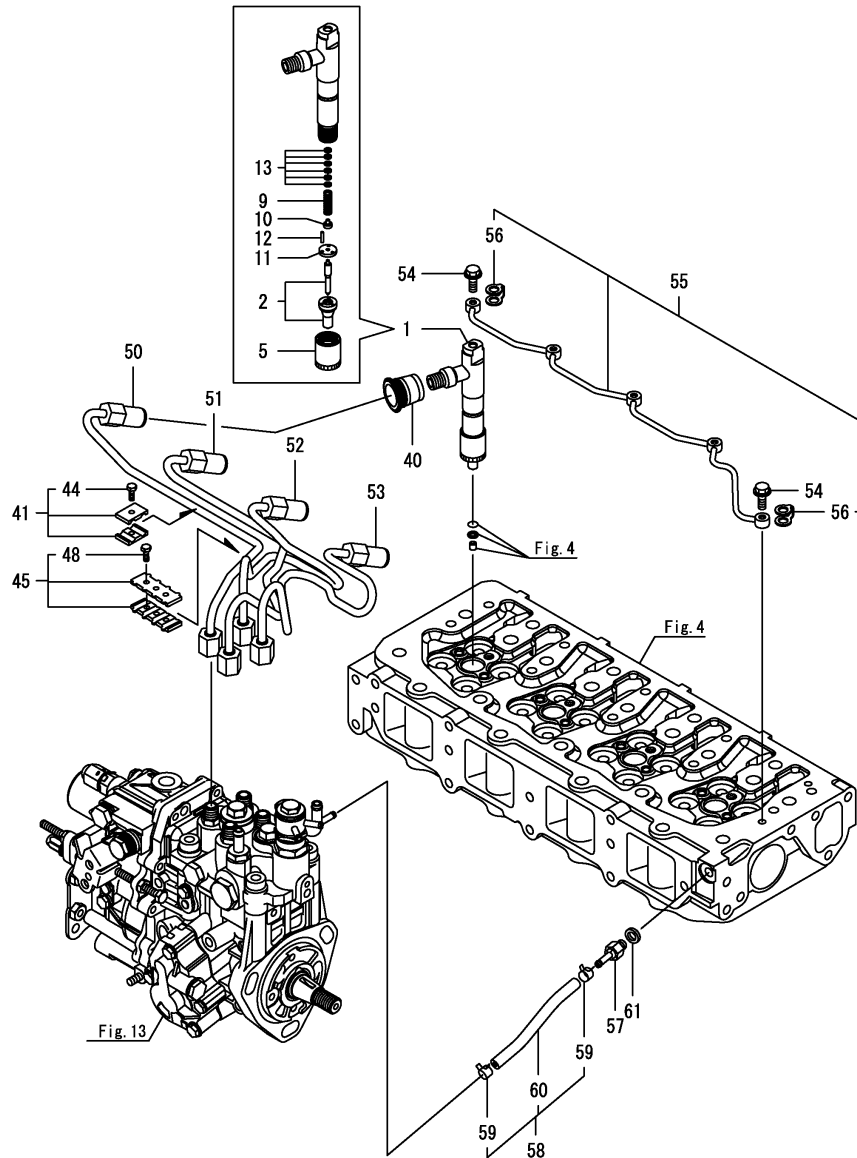
(B)=

(C)=

(D)=

(E)=

(F)=



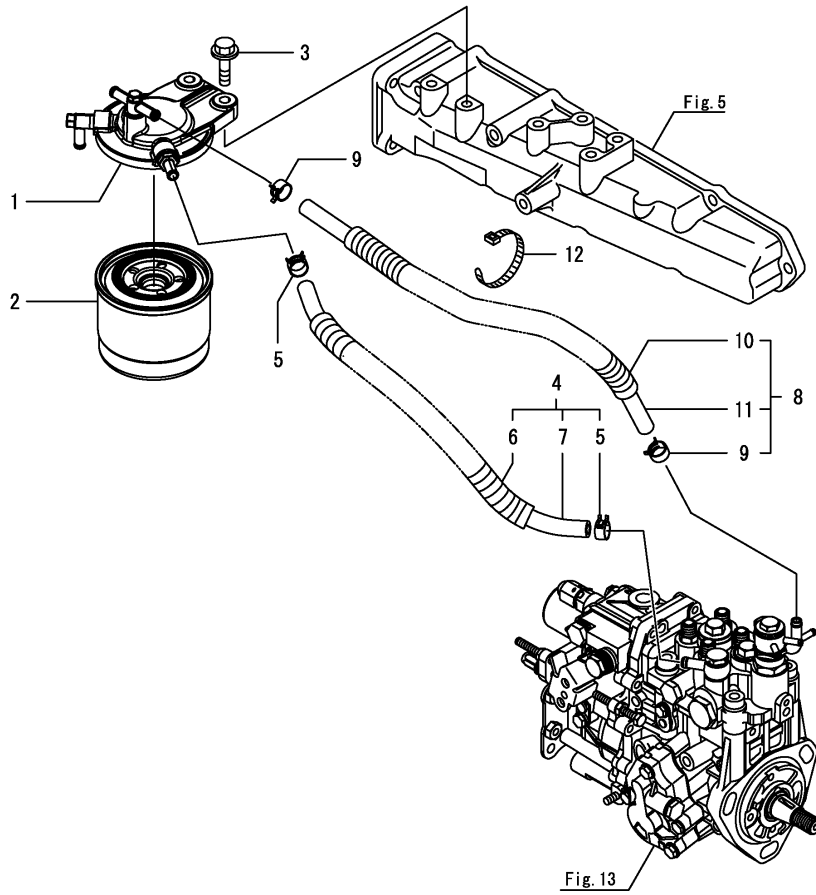
No.	Lev.	Parts No.	Description	Q'ty						I	R
				(A)	(B)	(C)	(D)	(E)	(F)		
1	1	729649-53100	VALVE ASSY,INJECTION	4							
2	2	129649-53000	NOZZLE ASSY	4							
5	2	114250-53080	NUT, NOZZLE	4							
9	2	114250-53120	SPRING, NOZZLE	4							
10	2	114250-53130	SEAT, SPRING	4							
11	2	114250-53140	SPACER, VALVE STOP	4							
12	2	114250-53210	PIN, POSITIONING	8							
13	2	119803-53400	SHIM SET	4							
40	1	123907-11601	SEAL, PIPE	4							
41	1	119305-59120	RETAINER, PIPE	2							
44	2	129150-59131	BOLT, M4X14	2							
45	1	129550-59120	RETAINER, PIPE	1							
48	2	129150-59131	BOLT, M4X14	2							
50	1	129508-59910	PIPE ASSY, INJECTION	1							
51	1	129508-59920	PIPE ASSY, INJECTION	1							
52	1	129508-59930	PIPE ASSY, INJECTION	1							
53	1	129508-59940	PIPE ASSY, INJECTION	1							
54	1	123907-59540	BOLT, PIPE JOINT M6	5							
55	1	129508-59550	PIPE ASSY, RETURN	1							
56	2	123907-59550	GASKET, FUEL RETURN	5							
57	1	123907-59560	JOINT, HOSE	1							
58	1	129508-59570	HOSE ASSY, RETURN	1							
59	2	124722-59050	CLAMP, HOSE 9	2							
60	2	129508-59510	HOSE, FUEL	1							
61	1	22190-080002	WASHER, SEAL 8	1							

Remarks

(1)Spare parts.

N:Old  $\xrightarrow{\text{Yes}}$  New, Q:Old  $\xrightarrow{\text{No}}$  New, R:Old  $\xrightarrow{\text{Yes}}$  New, S:Old  $\xrightarrow{\text{No}}$  New, W:Add, Z:Discontinued, F:Interchangeable by set, K:Q'ty Change

Fig.16. FUEL PIPE



(A)=4TNV84T-BGGES  
(B)=  
(C)=

(D)=  
(E)=  
(F)=

No.	Lev.	Parts No.	Description	Q'ty						I	R
				(A)	(B)	(C)	(D)	(E)	(F)		
1	1	129004-55612	BRACKET, FILTER	1							
2	1	119802-55801	FILTER, FUEL	1							
3	1	26106-080302	BOLT, M8X 30 PLATED	2							
4	1	129630-59010	HOSE ASSY, FUEL	1							
5	2	124766-59050	CLAMP, HOSE 11.5	2							
6	2	129961-59110	TUBE, CORRUGATED 15	1							
7	2	105025-59560	HOSE, FUEL	1							
8	1	129956-59010	HOSE ASSY, FUEL	1							
9	2	124766-59050	CLAMP, HOSE 11.5	2							
10	2	129957-59101	TUBE, CORRUGATED 15	1							
11	2	105225-59511	HOSE, FUEL	1							
12	1	121750-59890	BAND, NYLON	1							

Fig.17. STARTER MOTOR

(A)=4TNV84T-BGGES

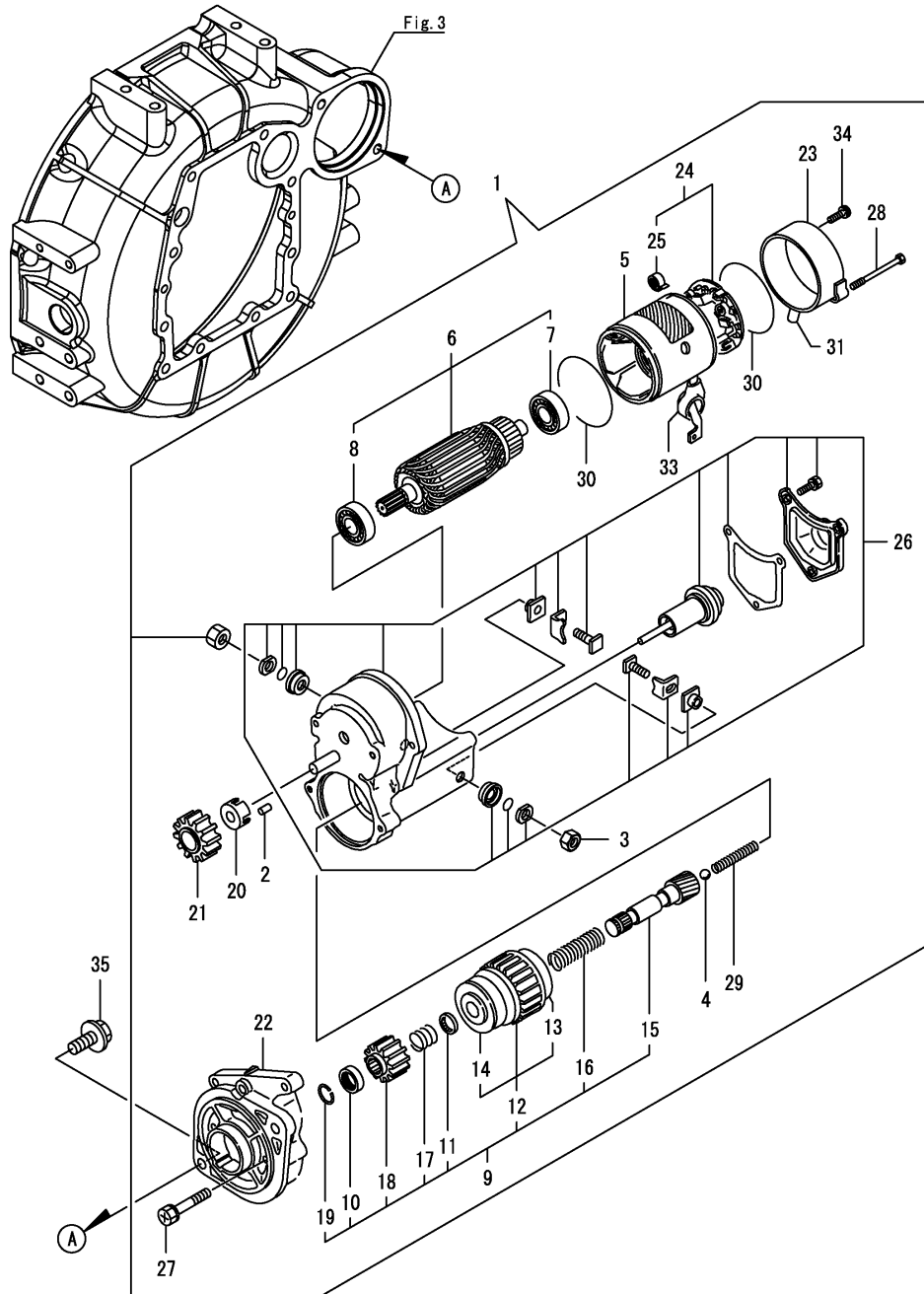
(B)=

(C)=

(D)=

(E)=

(F)=



No.	Lev.	Parts No.	Description	Q'ty						I	R
				(A)	(B)	(C)	(D)	(E)	(F)		
1	1	129407-77010	STARTER, RA1.4	1							
2	2	X0283060061	ROLLER	5							
3	2	X9490561370	NUT	1							
4	2	X9491200240	BALL, STEEL	1							
5	2	129407-77210	YOKE ASSY	1							
6	2	129407-77220	ARMATURE ASSY	1							
7	3	129129-77230	BEARING, BALL	1							
8	3	129129-77240	BEARING, BALL	1							
9	2	129407-77250	STARTER	1							
10	3	X0280210230	NUT, PINION STOP	1							
11	3	X0283270140	RETAINER, SNAP	1							
12	3	129407-77390	CLUTCH ASSY, STARTER	1							
13	4	129129-77440	BEARING, BALL	1							
14	4	129129-77450	BEARING, BALL	1							
15	3	129129-77400	SHAFT, STARTER	1							
16	3	129129-77410	SPRING, COIL	1							
17	3	129407-77410	SPRING, COIL	1							
18	3	129129-77420	PINION, STARTER	1							
19	3	129129-77430	RING, SNAP	1							
20	2	129129-77260	RETAINER	1							
21	2	129129-77270	PINION	1							
22	2	129407-77280	HOUSING, STARTOR	1							
23	2	129129-77290	FRAME, STARTER END	1							
24	2	129407-77300	HOLDER ASSY	1							
25	3	X9491730461	SPRING, BRUSH	4							
26	2	129407-77310	SWITCH ASSY, MAGNET	1							
27	2	129129-77320	BOLT, W/WASHER	2							
28	2	129407-77330	BOLT	2							
29	2	129129-77340	SPRING	1							
30	2	129129-77350	O-RING	2							
31	2	129129-77362	COVER	1							
33	2	129129-77380	CAP	1							
34	2	129129-77460	SCREW	2							
35	1	26106-120252	BOLT, M12X 25 PLATED	2							

Fig.18. GENERATOR

(A)=4TNV84T-BGGES

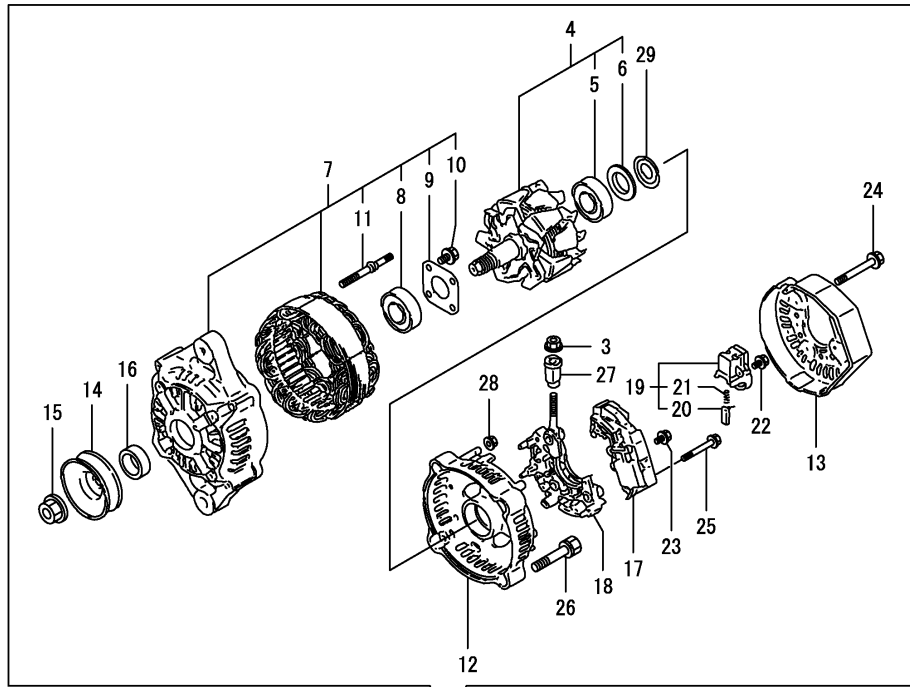
(B)=

(C)=

(D)=

(E)=

(F)=



No.	Lev.	Parts No.	Description	Q'ty						I	R
				(A)	(B)	(C)	(D)	(E)	(F)		
1	1	129795-01900	BOLT, M10X30	1							
2	1	129423-77210	ALTERNATOR, 12V-40A	1							
3	2	129240-79310	NUT	1							
4	2	119620-77380	ROTOR ASSY	1							
5	3	123501-79240	BEARING, BALL	1							
6	3	119620-79250	COVER, BEARING	1							
7	2	119620-77421	FRAME ASSY, DRIVE	1							
8	3	119620-79200	BEARING, BALL	1							
9	3	119620-79210	PLATE, RETAINER	1							
10	3	119620-79220	SCREW	4							
11	3	119620-79230	STUD	2							
12	2	119620-77440	FRAME ASSY, REAR	1							
13	2	119620-77461	PULLEY, GENERATOR	1							
14	2	119620-77471	NUT	1							
15	2	119620-77490	COLLAR	1							
16	2	129423-77730	REGULATOR ASSY	1							
17	2	119620-79260	HOLDER ASSY	1							
18	2	129052-79270	HOLDER ASSY, BRUSH	1							
19	3	119620-77480	BRUSH ASSY, SUB	2							
20	3	119620-79280	SPRING	2							
21	2	119620-79290	SCREW	6							
22	2	119620-79300	SCREW	1							
23	2	129240-79300	COVER	1							
24	2	119620-79310	BOLT	3							
25	2	119620-79320	SCREW, W/WASHER	2							
26	2	119620-79330	BOLT	2							
27	2	119620-79340	BUSH, INSULATION	1							
28	2	119620-79350	NUT	2							
29	2	119620-79360	WASHER, THRUST	1							
30	1	26306-100002	NUT, M10	1							
31	1	119940-77270	SPACER, GENERATOR	1							
32	1	119940-77330	ADJUSTER, BELT	1							
33	1	129972-77341	BOLT, ADJUSTER L=50	1							
34	1	26106-080452	BOLT, M8X 45 PLATED	1							

Fig. 2

Fig. 12

Fig.19. ACCESSORY

(A)=4TNV84T-BGGES

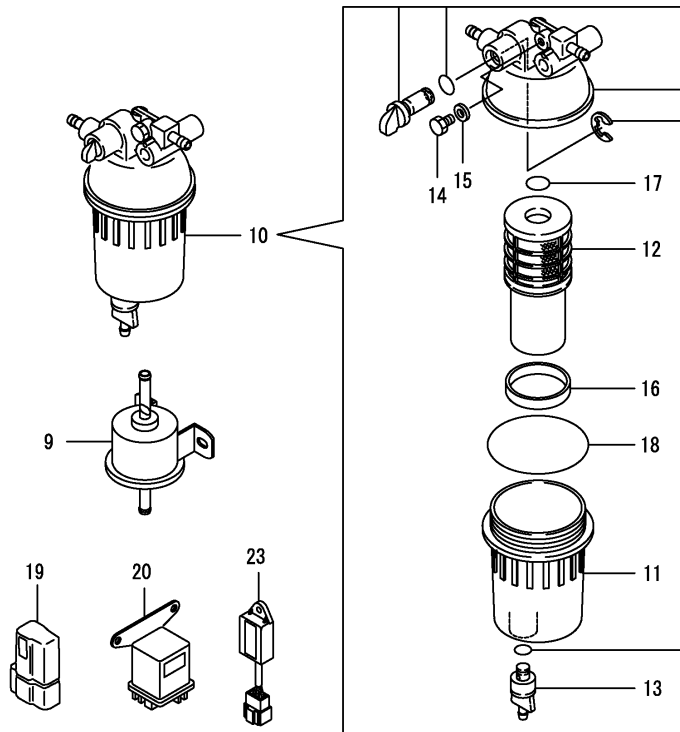
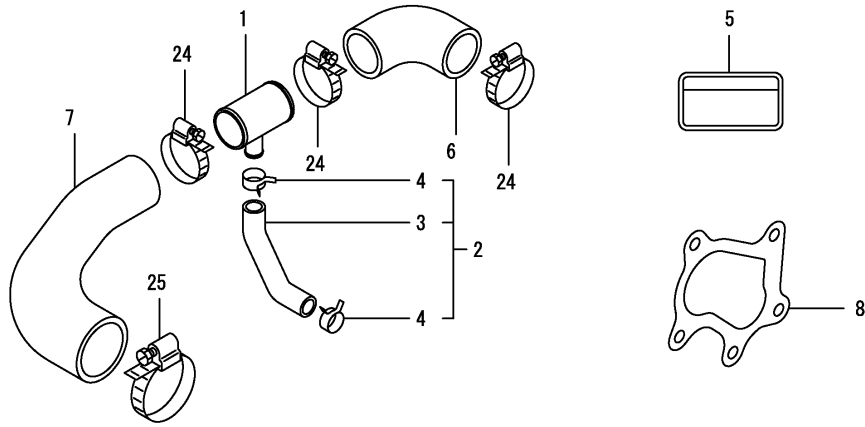
(B)=

(C)=

(D)=

(E)=

(F)=



No.	Lev.	Parts No.	Description	Q'ty						I	R
				(A)	(B)	(C)	(D)	(E)	(F)		
1	1	129509-03050	JOINT, BREATHER	1							
2	1	129509-03080	HOSE ASSY, BREATHER	1							
3	2	129509-03090	HOSE, BREATHER	1							
4	2	129410-03990	CLAMP, HOSE 21.5	2							
5	1	114110-07761	LABEL, FUEL CAUTION	1							
6	1	129509-12070	HOSE, AIR INTAKE	1							
7	1	129584-12080	HOSE, AIR INTAKE	1							
8	1	129508-18090	GASKET, TURBINE OUT	1							
9	1	119225-52102	PUMP, FUEL FEED	1							
10	1	129242-55701	SEPARATOR ASSY,WATER	1							
11	2	129242-55720	CUP, SEPARATOR	1							
12	2	129242-55730	ELEMENT, FUEL FILTER	1							
13	2	129242-55740	PLUG, DRAIN	1							
14	2	129242-55750	VALVE, AIR VENT	1							
15	2	129242-55760	GASKET, PLUG	1							
16	2	129242-55770	FLOAT	1							
17	2	24311-000160	O-RING, 1AP16.0	1							
18	2	24321-000750	O-RING, 1AG75.0	1							
19	1	119643-66900	DIODE	1							
20	1	119650-77911	RELAY ASSY, GLOW	1							
23	1	129211-77920	TIMER, SECTION 1	1							
24	1	23000-060000	CLAMP, 60	3							
25	1	23000-080000	CLAMP, 80	1							

Fig.20. GASKET SET

(A)=4TNV84T-BGGES

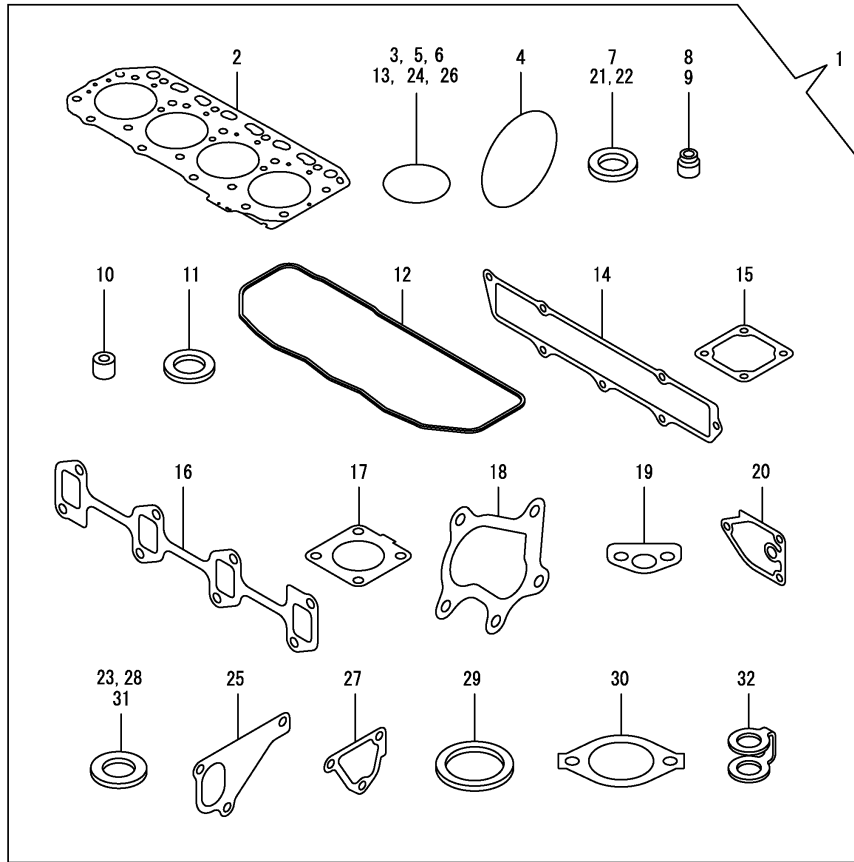
(B)=

(C)=

(D)=

(E)=

(F)=



No.	Lev.	Parts No.	Description	Q'ty						I	R
				(A)	(B)	(C)	(D)	(E)	(F)		
1	1	729508-92820	GASKET SET	1							1
2	2	129508-01330	GASKET, HEAD	1							
3	2	119609-32040	O-RING, P16	4							
4	2	121850-51960	O-RING, FUEL PUMP	1							
5	2	24311-000320	O-RING, 1AP32.0	2							
6	2	24341-000240	O-RING, 1AS24.0	1							
7	2	22190-220002	WASHER, SEAL 22	1							
8	2	119717-11340	SEAL, VALVE STEM	8							
9	2	119717-11350	SEAL, VALVE STEM	8							
10	2	119802-11870	PROTECTOR, NOZZLE	4							
11	2	119625-11880	SEAT, NOZZLE	4							
12	2	129508-11310	GASKET, BONNET	1							
13	2	24311-000120	O-RING, 1AP12.0	7							
14	2	129508-12110	GASKET, MANIFOLD	1							
15	2	129150-77511	GASKET, AIR HEATER	1							
16	2	129550-13110	GASKET, MANIFOLD	1							
17	2	129508-18080	GASKET, TURBINE IN	1							
18	2	129508-18090	GASKET, TURBINE OUT	1							
19	2	129150-35042	GASKET, INLET PIPE	1							
20	2	129150-35111	GASKET, BRACKET	1							
21	2	22190-080002	WASHER, SEAL 8	3							
22	2	22190-100002	WASHER, SEAL 10	2							
23	2	23414-100000	GASKET, 10X1.0	2							
24	2	24316-000160	O-RING, 4DP16.0	1							
25	2	129486-42021	GASKET, WATER PUMP	1							
26	2	129486-42140	O-RING, G30	1							
27	2	124395-49840	GASKET, THERMOSTAT	1							
28	2	23414-080000	GASKET, 8X1.0	1							
29	2	129150-49811	GASKET, THERMOSTAT	1							
30	2	129795-49551	GASKET, COVER	1							
31	2	124465-44950	GASKET, 16	2							
32	2	123907-59550	GASKET, FUEL RETURN	5							

Remarks

(1)Optional parts.

## Parts No. Index

Parts No.	Fig. No.	Ref. No.
105025-59560	16	7
105225-59511	16	11
114110-07761	19	5
114250-39450	11	1
114250-53080	15	5
114250-53120	15	9
114250-53130	15	10
114250-53140	15	11
114250-53210	15	12
119131-18320	6	6
119225-52102	19	9
119305-59120	15	41
119609-32040	2	11
	20	3
119620-01750	3	3
119620-77380	18	4
119620-77421	18	7
119620-77440	18	12
119620-77461	18	13
119620-77471	18	14
119620-77480	18	19
119620-77490	18	15
119620-79200	18	8
119620-79210	18	9
119620-79220	18	10
119620-79230	18	11
119620-79250	18	6
119620-79260	18	17
119620-79280	18	20
119620-79290	18	21
119620-79300	18	22
119620-79310	18	24
119620-79320	18	25
119620-79330	18	26
119620-79340	18	27
119620-79350	18	28
119620-79360	18	29
119625-11880	4	39
	20	11
119640-01640	3	8
119640-61400	4	60
119643-66900	19	19
119650-77911	19	20
119653-77950	14	104
119660-61901	14	61
119717-11190	4	30
119717-11340	4	31
	20	8
119717-11350	4	32
	20	9

Parts No.	Fig. No.	Ref. No.
119717-11800	4	69
119802-01520	2	6
119802-01561	2	7
119802-03070	4	49
119802-11870	4	38
	20	10
119802-13651	6	3
119802-13671	6	4
119802-13821	6	5
119802-21202	9	4
119802-21660	9	8
119802-25051	7	9
119802-25071	7	16
119802-25101	7	10
119802-25901	7	15
119802-32070	2	13
119802-32100	2	12
119802-32130	2	19
119802-39500	11	5
119802-49113	12	9
119802-49730	12	39
119802-51090	13	14
119802-51560	13	63
119802-51590	13	69
119802-51600	13	70
119802-51680	13	74
119802-51690	13	75
119802-55801	16	2
119803-53400	15	13
119807-61420	14	24
119831-42290	12	24
119934-01800	2	5
119940-59130	10	24
119940-77270	18	31
119940-77330	18	32
121023-01551	2	27
121111-21501	9	11
121250-44901	12	34
121252-39150	11	3
121267-44760	12	26
121450-42450	12	33
121520-34810	10	2
121550-23200	9	27
121750-59890	16	12
121850-21680	9	10
121850-51960	2	20
	20	4
123501-79240	18	5
123901-39820	11	17
123907-03100	4	52

Parts No.	Fig. No.	Ref. No.
123907-03110	4	53
123907-03120	4	54
123907-03140	4	55
123907-11550	4	17
123907-11601	15	40
123907-11830	4	36
123907-59540	15	54
123907-59550	15	56
	20	32
123907-59560	15	57
124060-01050	1	11
124070-13300	11	15
124085-35350	10	15
124160-01751	2	8
	4	46
124160-01910	1	12
		13
124160-11360	4	64
124160-39140	11	2
124223-39900	11	6
124240-01871	2	9
124395-49840	12	17
	20	27
124465-44950	12	35
		36
	20	31
124550-21600	9	14
124722-59050	12	40
		43
	15	59
124766-59050	16	5
		9
129001-01250	1	4
129001-02931	1	29
129001-11340	4	58
129001-32330	2	16
129004-22500	9	17
129004-22950	9	35
129004-34802	10	1
129004-42040	12	15
129004-49610	12	37
129004-49620	12	41
129004-49711	12	38
129004-49721	12	42
129004-55612	16	1
129005-59830	11	7
129006-35100	10	9
129006-44480	10	16
129008-51900	13	12
129008-51920	13	13

Parts No.	Fig. No.	Ref. No.
129009-11340	4	59
129052-79270	18	18
129100-01580	3	1
		16
	9	2
129100-23910	9	30
129100-42051	12	3
129103-49301	10	26
129120-77502	5	8
129129-77230	17	7
129129-77240	17	8
129129-77260	17	20
129129-77270	17	21
129129-77290	17	23
129129-77320	17	27
129129-77340	17	29
129129-77350	17	30
129129-77362	17	31
129129-77380	17	33
129129-77400	17	15
129129-77410	17	16
129129-77420	17	18
129129-77430	17	19
129129-77440	17	13
129129-77450	17	14
129129-77460	17	34
129150-01200	1	27
129150-02020	1	6
129150-02450	7	4
129150-02871	1	32
129150-02931	1	24
129150-02941	1	35
129150-03070	4	50
129150-11230	4	8
		12
129150-11750	4	10
		14
		35
129150-14101	7	6
129150-14200	7	1
129150-14400	7	2
129150-23601	9	28
129150-23611	9	31
129150-25301	7	14
129150-35042	10	3
	20	19
129150-35111	10	13
	20	20
129150-35170	10	29
129150-49811	12	29

## Parts No. Index

Parts No.	Fig. No.	Ref. No.
129150-49811	20	29
129150-59131	15	44
		48
129150-77511	5	9
	20	15
129155-42350	12	23
129155-49801	12	28
129155-51280	14	6
129155-61460	14	26
129202-22300	9	21
129211-77920	19	23
129240-79300	18	23
129240-79310	18	3
129242-55701	19	10
129242-55720	19	11
129242-55730	19	12
129242-55740	19	13
129242-55750	19	14
129242-55760	19	15
129242-55770	19	16
129246-61061	14	89
129246-61441	14	25
129255-61410	14	23
129350-49530	12	30
129400-01730	3	6
129403-13120	6	2
129407-77010	17	1
129407-77210	17	5
129407-77220	17	6
129407-77250	17	9
129407-77280	17	22
129407-77300	17	24
129407-77310	17	26
129407-77330	17	28
129407-77390	17	12
129407-77410	17	17
129410-03990	19	4
129417-35150	10	11
129418-18320	8	3
129418-32320	2	15
129423-77210	18	2
129423-77730	18	16
129436-35070	10	4
129486-01670	3	20
129486-42021	12	14
	20	25
129486-42140	12	16
	20	26
129508-01330	1	28
	20	2

Parts No.	Fig. No.	Ref. No.
129508-03010	4	48
129508-11100	4	26
129508-11110	4	27
129508-11130	4	28
129508-11180	4	29
129508-11241	4	1
129508-11250	4	2
129508-11260	4	4
129508-11270	4	5
129508-11280	4	6
129508-11310	4	57
	20	12
129508-11650	4	7
129508-11660	4	11
129508-11820	4	37
129508-11900	4	40
129508-11920	4	15
129508-12101	5	2
129508-12110	5	3
	20	14
129508-14580	7	3
129508-18021	8	1
129508-18080	8	2
	20	17
129508-18090	19	8
	20	18
129508-21002	9	1
129508-22080	9	15
129508-22900	9	33
129508-32111	2	17
129508-32120	2	18
129508-33031	10	6
129508-33060	10	7
129508-35100	10	8
129508-35150	10	12
129508-39450	11	4
129508-39600	11	16
129508-42002	12	1
129508-49030	10	17
129508-49040	10	21
129508-59510	15	60
129508-59550	15	55
129508-59570	15	58
129508-59910	15	50
129508-59920	15	51
129508-59930	15	52
129508-59940	15	53
129509-03050	19	1
129509-03080	19	2
129509-03090	19	3

Parts No.	Fig. No.	Ref. No.
129509-11700	4	18
129509-12070	19	6
129509-51390	13	44
129550-13110	6	1
	20	16
129550-59120	15	45
129553-39650	11	27
129584-11350	4	47
129584-12060	5	1
129584-12080	19	7
129601-51250	13	136
129612-44700	12	25
129630-59010	16	4
129648-01600	3	17
129648-01780	3	19
129649-53000	15	2
129672-11510	4	33
129688-01780	3	7
129792-39410	11	21
129795-01900	18	1
129795-01950	2	10
129795-02412	1	9
129795-21661	9	9
129795-49551	12	31
	20	30
129900-07900	4	67
129900-32130	2	14
129907-03070	4	51
129907-11950	4	41
129916-59020	13	134
129956-59010	16	8
129957-59101	16	10
129961-59110	16	6
129972-77341	18	33
158552-51151	7	17
158552-51571	13	64
		65
158552-51580	13	68
158552-51600	13	78
158552-51670	13	4
158552-51781	13	105
158552-52100	13	114
158552-52311	13	116
158552-52400	13	117
158552-52500	13	115
158552-61900	14	78
158553-51551	13	61
158553-51630	13	79
158553-51640	13	81
158553-51660	13	83

Parts No.	Fig. No.	Ref. No.
158553-51670	13	73
158553-51680	13	84
158553-51770	13	111
158553-51930	13	108
	14	7
158553-61050	14	3
158553-61070	14	4
158557-51570	13	66
158563-51281	13	42
		43
158563-51330	13	53
158600-51270	13	41
158601-51550	13	62
158601-51570	13	67
158601-51650	13	82
158601-51770	13	104
158601-51790	13	106
171008-03990	10	18
		22
171031-11741	2	30
171051-01921	1	5
171056-49120	10	28
171420-01600	3	2
171420-21590	9	12
22190-080002	11	8
		10
		15
		61
		20
		21
22190-100002	11	11
	20	22
22190-120002	13	109
		118
		119
	14	65
22190-180002	13	110
		120
22190-220002	3	11
	20	7
22217-140000	13	121
22252-000260	9	22
22312-050140	13	122
22351-030010	9	7
	11	28
22351-050010	13	123
22351-060012	4	42
22512-070140	7	7
	9	5
22857-500100	4	61
		62
		63

## Parts No. Index

Parts No.	Fig. No.	Ref. No.
23000-025000	11	18
23000-048000	5	4
23000-060000	5	5
	19	24
23000-080000	19	25
23080-015000	10	20
		25
23414-080000	12	18
	20	28
23414-100000	11	12
	20	23
23857-030000	11	9
23857-060000	13	124
23876-020000	4	24
23876-030000	2	3
23876-040000	2	4
24311-000070	13	126
24311-000120	4	43
		65
	20	13
24311-000160	19	17
24311-000320	2	21
		31
	4	66
	20	5
24316-000160	11	19
	20	24
24321-000750	19	18
24341-000240	2	28
	20	6
24356-190180	13	127
24356-190200	13	76
		128
24372-000150	13	77
26106-060102	13	129
	14	68
26106-060122	12	44
26106-060142	14	84
		85
26106-060162	2	29
	11	20
26106-060202	14	86
26106-060302	12	27
26106-080122	11	13
	12	19
26106-080142	7	8
26106-080162	2	22
		23
	3	12
	4	68

Parts No.	Fig. No.	Ref. No.
26106-080162	12	20
	13	137
26106-080202	5	6
	10	27
	13	138
26106-080222	12	32
26106-080252	3	13
	4	44
26106-080302	16	3
26106-080352	3	21
	5	10
26106-080402	7	13
26106-080452	3	14
	12	21
	18	34
26106-080502	3	15
	4	45
26106-080552	2	24
	10	5
26106-080602	12	22
26106-080802	5	7
26106-080852	2	25
26106-120252	17	35
26206-100252	3	4
26206-100302	3	5
26226-080352	4	16
26306-080002	2	26
	8	4
26306-100002	18	30
26366-060002	11	14
26450-080452	13	131
26756-060002	14	69
26776-140002	13	132
27241-120000	1	14
27241-300000	1	10
27241-400000	4	25
729402-23100	9	23
729508-01560	1	1
729508-92820	20	1
729533-01500	2	1
729584-51300	13	1
729649-53100	15	1
X0280210230	17	10
X0283060061	17	2
X0283270140	17	11
X9490561370	17	3
X9491200240	17	4
X9491730461	17	25

Parts No.	Fig. No.	Ref. No.
-----------	----------	----------

Parts No.	Fig. No.	Ref. No.
-----------	----------	----------