

0CD50-M00550EN

# P R E F A C E

This parts catalog is the 1st edition of 3TNV80F-NGGE.

Published : July, 2014

# Contents

OCD50-M00550

Fig. No. Fig. Name

3TNV80F-NGGE

1. CYLINDER BLOCK
2. GEAR HOUSING
3. FLYWHEEL HOUSING & OIL SUMP
4. CYLINDER HEAD & BONNET
5. EXHAUST MANIFOLD
6. CAMSHAFT & DRIVING GEAR
7. CRANKSHAFT & PISTON
8. LUB. OIL SYSTEM
9. COOLING WATER SYSTEM
10. FUEL INJECTION PUMP
11. GOVERNOR
12. FUEL INJECTION VALVE
13. FUEL PIPE
14. STARTER MOTOR
15. GENERATOR

Fig. No. Fig. Name

Fig.1. CYLINDER BLOCK

(A)=3TNV80F-NGGE

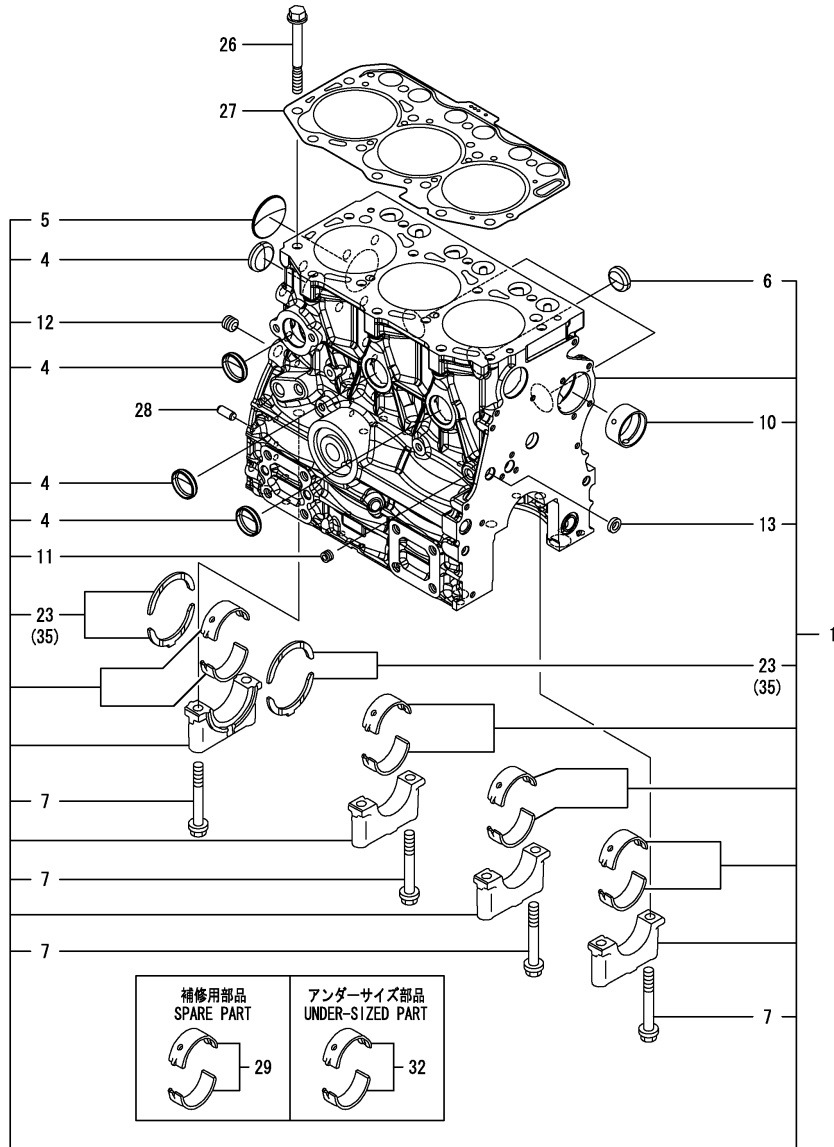
(B)=

(C)=

(D)=

(E)=

(F)=



| No. | Lev. | Parts No.    | Description          | Q'ty |     |     |     |     |     | I | R |
|-----|------|--------------|----------------------|------|-----|-----|-----|-----|-----|---|---|
|     |      |              |                      | (A)  | (B) | (C) | (D) | (E) | (F) |   |   |
| 1   | 1    | 119E00-01560 | BLOCK ASSY, CYLINDER | 1    |     |     |     |     |     |   |   |
| 4   | 2    | 105311-01090 | PLUG, 30             | 4    |     |     |     |     |     |   |   |
| 5   | 2    | 119623-01250 | PLUG, 45             | 1    |     |     |     |     |     |   |   |
| 6   | 2    | 119285-01990 | PLUG, 25             | 3    |     |     |     |     |     |   |   |
| 7   | 2    | 119620-02020 | BOLT, METAL CAP      | 8    |     |     |     |     |     |   |   |
| 10  | 2    | 119717-02411 | BUSH, CAMSHAFT       | 1    |     |     |     |     |     |   |   |
| 11  | 2    | 124060-01050 | PLUG, PT1/8          | 1    |     |     |     |     |     |   |   |
| 12  | 2    | 124160-01910 | PLUG, PT1/4          | 1    |     |     |     |     |     |   |   |
| 13  | 2    | 27241-120000 | PLUG, 12             | 1    |     |     |     |     |     |   |   |
| 23  | 2    | 119717-02930 | BEARING, THRUST      | 2    |     |     |     |     |     |   |   |
| 26  | 1    | 119810-01200 | BOLT, HEAD           | 14   |     |     |     |     |     |   |   |
| 27  | 1    | 119E10-01330 | GASKET SET, HEAD     | 1    |     |     |     |     |     |   |   |
| 28  | 1    | 129100-01580 | PIN, 8X16            | 2    |     |     |     |     |     |   |   |
| 29  | 1    | 719717-02901 | BEARING, MAIN        | 4    |     |     |     |     |     |   | 1 |
| 32  | 1    | 719717-02911 | BEARING, 0.25 US     | 4    |     |     |     |     |     |   | 2 |
| 35  | 1    | 119810-02941 | BEARING, THRUST 0.25 | 2    |     |     |     |     |     |   | 3 |

Remarks

- (1) Spare parts.
- (2) Under-sized (U.S.=0.25) parts.
- (3) Over-sized (O.S.=0.25) parts.

Fig.2. GEAR HOUSING

(A)=3TNV80F-NGGE

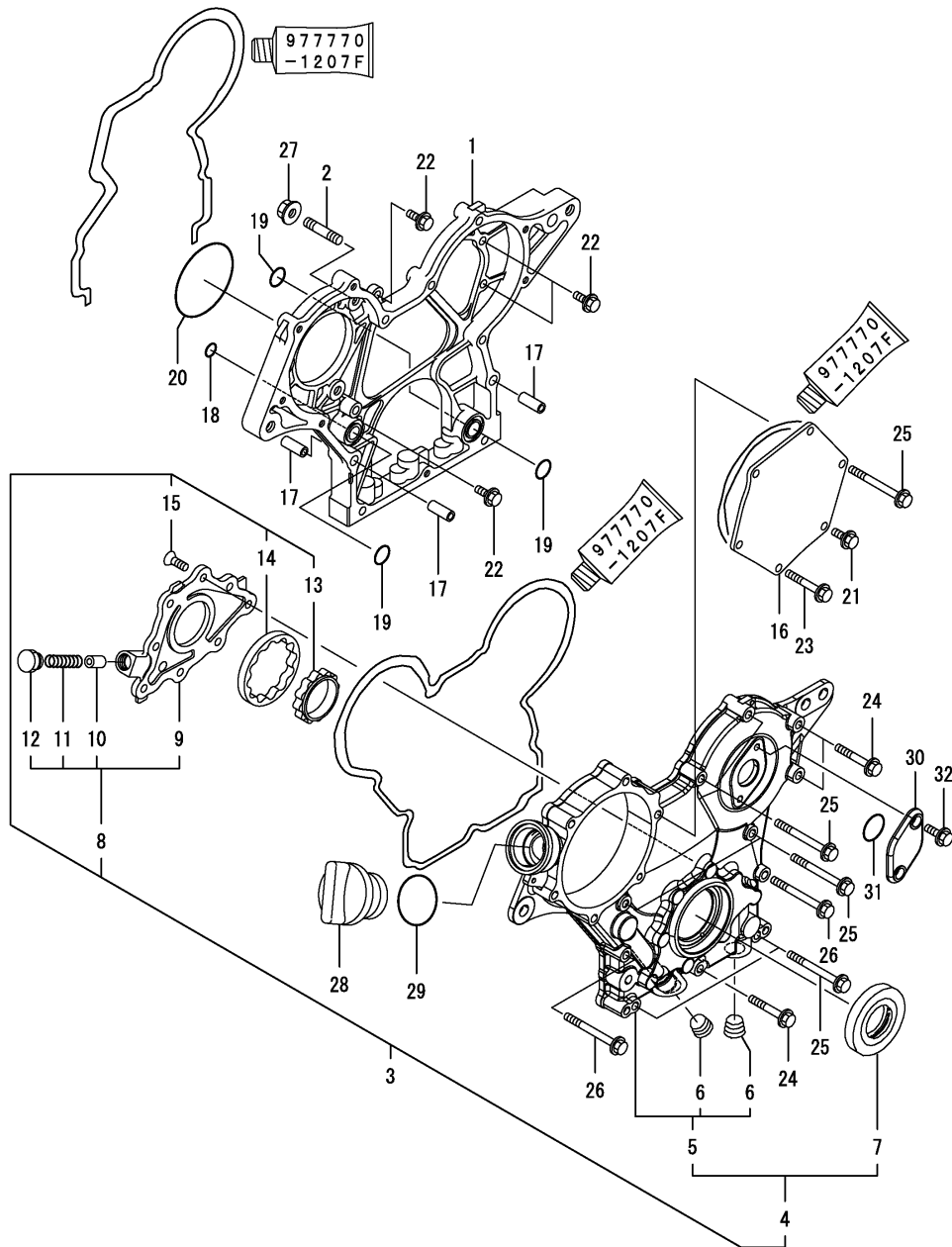
(B)=

(C)=

(D)=

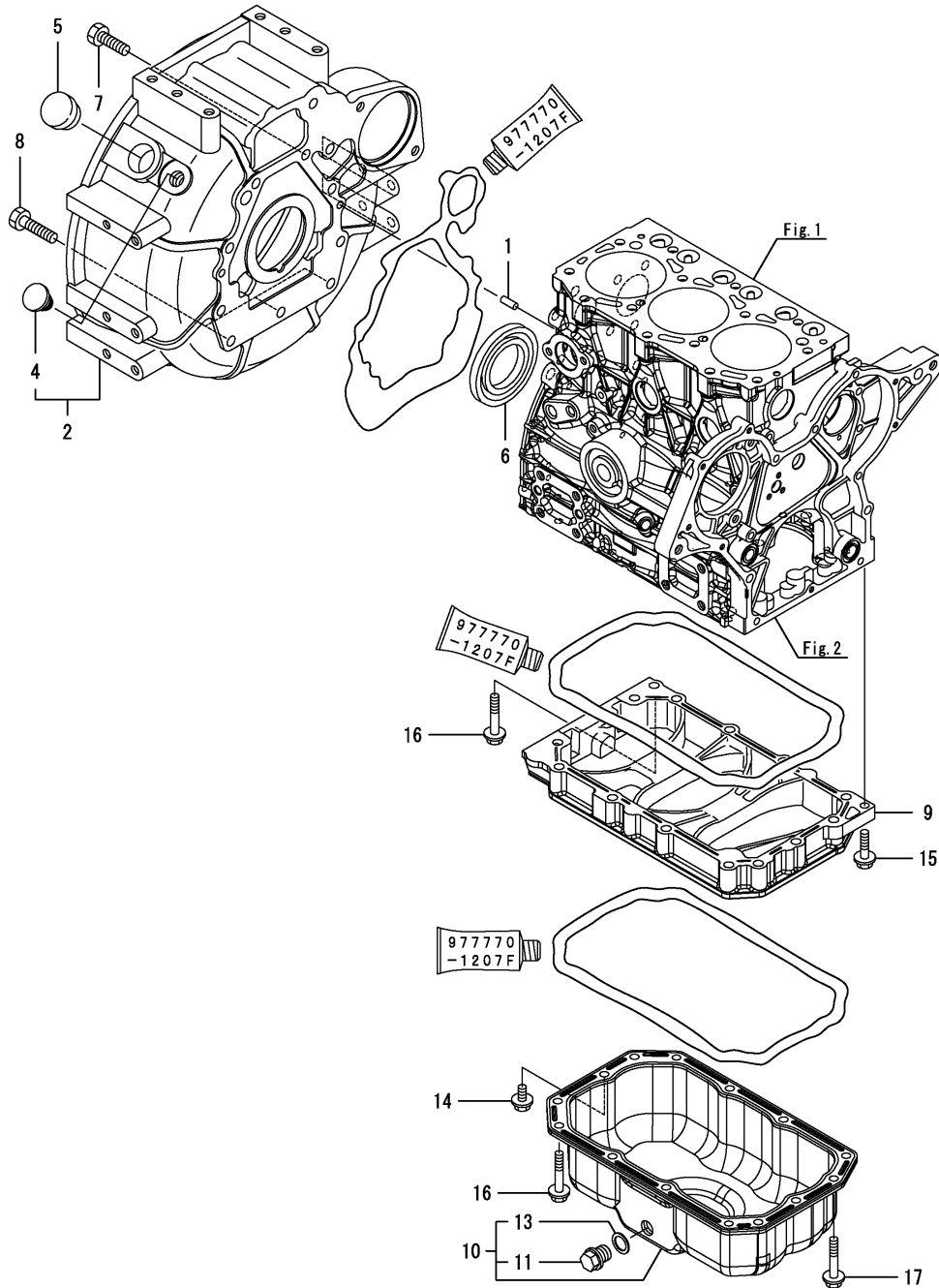
(E)=

(F)=



| No. | Lev. | Parts No.    | Description         | Q'ty |     |     |     |     |     | I | R |
|-----|------|--------------|---------------------|------|-----|-----|-----|-----|-----|---|---|
|     |      |              |                     | (A)  | (B) | (C) | (D) | (E) | (F) |   |   |
| 1   | 1    | 119717-01501 | CASE, GEAR          | 1    |     |     |     |     |     |   |   |
| 2   | 1    | 119717-01570 | STUD                | 3    |     |     |     |     |     |   |   |
| 3   | 1    | 119734-01580 | CASE ASSY, GEAR     | 1    |     |     |     |     |     |   |   |
| 4   | 2    | 719734-01510 | CASE ASSY, GEAR     | 1    |     |     |     |     |     |   |   |
| 5   | 3    | 119744-01521 | COVER, GEAR CASE    | 1    |     |     |     |     |     |   |   |
| 6   | 4    | 23876-030000 | PLUG, R03           | 2    |     |     |     |     |     |   |   |
| 7   | 3    | 119717-01800 | SEAL, OIL           | 1    |     |     |     |     |     |   |   |
| 8   | 2    | 119717-32100 | COVER ASSY          | 1    |     |     |     |     |     |   |   |
| 9   | 3    | 119717-32080 | COVER               | 1    |     |     |     |     |     |   |   |
| 10  | 3    | 129900-32130 | VALVE, RELIEF       | 1    |     |     |     |     |     |   |   |
| 11  | 3    | 129001-32320 | SPRING              | 1    |     |     |     |     |     |   |   |
| 12  | 3    | 129001-32330 | PLUG                | 1    |     |     |     |     |     |   |   |
| 13  | 2    | 119717-32110 | ROTOR, INNER        | 1    |     |     |     |     |     |   |   |
| 14  | 2    | 119717-32120 | ROTOR, OUTER        | 1    |     |     |     |     |     |   |   |
| 15  | 2    | 119802-32130 | SCREW, M6X16        | 8    |     |     |     |     |     |   |   |
| 16  | 1    | 119717-01750 | COVER               | 1    |     |     |     |     |     |   |   |
| 17  | 1    | 119660-01911 | PIPE, KNOCK         | 4    |     |     |     |     |     |   |   |
| 18  | 1    | 119624-32040 | O-RING, P12.0       | 1    |     |     |     |     |     |   |   |
| 19  | 1    | 119717-32050 | O-RING, P17.0       | 3    |     |     |     |     |     |   |   |
| 20  | 1    | 121850-51960 | O-RING              | 1    |     |     |     |     |     |   |   |
| 21  | 1    | 26106-060122 | BOLT, M6X 12 PLATED | 1    |     |     |     |     |     |   |   |
| 22  | 1    | 26106-060162 | BOLT, M6X 16 PLATED | 4    |     |     |     |     |     |   |   |
| 23  | 1    | 26106-060402 | BOLT, M6X 40 PLATED | 4    |     |     |     |     |     |   |   |
| 24  | 1    | 26106-060402 | BOLT, M6X 40 PLATED | 3    |     |     |     |     |     |   |   |
| 25  | 1    | 26106-060602 | BOLT, M6X 60 PLATED | 7    |     |     |     |     |     |   |   |
| 26  | 1    | 26106-060652 | BOLT, M6X 65 PLATED | 2    |     |     |     |     |     |   |   |
| 27  | 1    | 26306-080002 | NUT, M8             | 3    |     |     |     |     |     |   |   |
| 28  | 1    | 124160-01751 | COVER, FILLER       | 1    |     |     |     |     |     |   |   |
| 29  | 1    | 24311-000320 | O-RING, 1AP32.0     | 1    |     |     |     |     |     |   |   |
| 30  | 1    | 121023-01551 | COVER               | 1    |     |     |     |     |     |   |   |
| 31  | 1    | 24341-000240 | O-RING, 1AS24.0     | 1    |     |     |     |     |     |   |   |
| 32  | 1    | 26106-060162 | BOLT, M6X 16 PLATED | 2    |     |     |     |     |     |   |   |

Fig.3. FLYWHEEL HOUSING & OIL SUMP

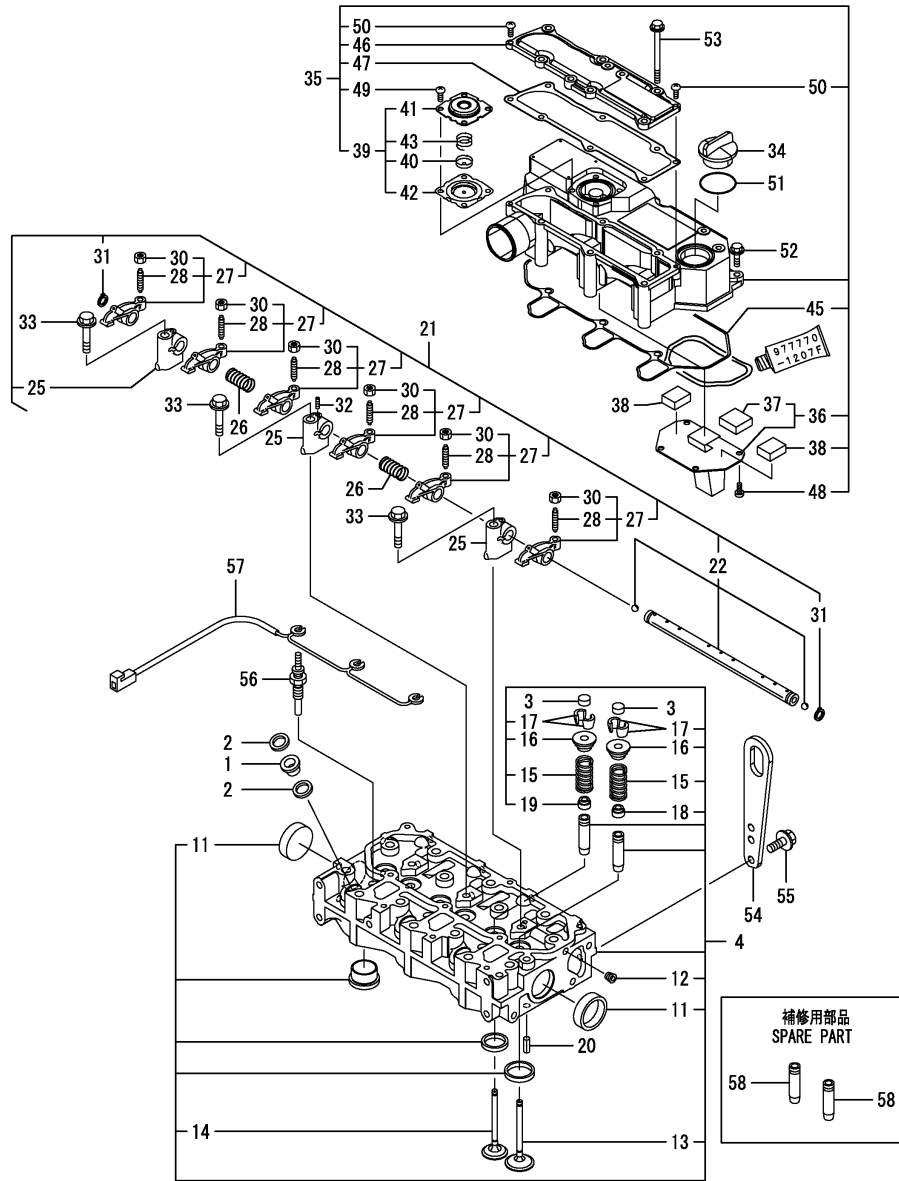


(A)=3TNV80F-NGGE  
(B)=  
(C)=

(D)=  
(E)=  
(F)=

| No. | Lev. | Parts No.    | Description          | Q'ty |     |     |     |     |     | I | R |
|-----|------|--------------|----------------------|------|-----|-----|-----|-----|-----|---|---|
|     |      |              |                      | (A)  | (B) | (C) | (D) | (E) | (F) |   |   |
| 1   | 1    | 129100-01580 | PIN, 8X16            | 2    |     |     |     |     |     |   |   |
| 2   | 1    | 119717-01611 | HOUSING, FLYWHEEL    | 1    |     |     |     |     |     |   |   |
| 4   | 2    | 119888-01850 | PLUG, RUBBER         | 1    |     |     |     |     |     |   |   |
| 5   | 1    | 119620-01750 | CAP                  | 1    |     |     |     |     |     |   |   |
| 6   | 1    | 124085-02220 | SEAL, OIL            | 1    |     |     |     |     |     |   |   |
| 7   | 1    | 26206-100252 | BOLT, M10X 25 PLATED | 8    |     |     |     |     |     |   |   |
| 8   | 1    | 26206-100302 | BOLT, M10X 30 PLATED | 3    |     |     |     |     |     |   |   |
| 9   | 1    | 119717-01720 | SPACER, OIL SUMP     | 1    |     |     |     |     |     |   |   |
| 10  | 1    | 119717-01770 | SUMP ASSY, OIL       | 1    |     |     |     |     |     |   |   |
| 11  | 2    | 105425-01690 | PLUG, 16             | 1    |     |     |     |     |     |   |   |
| 13  | 2    | 22190-160002 | WASHER, SEAL 16      | 1    |     |     |     |     |     |   |   |
| 14  | 1    | 26106-080122 | BOLT, M8X 12 PLATED  | 1    |     |     |     |     |     |   |   |
| 15  | 1    | 26106-080302 | BOLT, M8X 30 PLATED  | 1    |     |     |     |     |     |   |   |
| 16  | 1    | 26106-080452 | BOLT, M8X 45 PLATED  | 11   |     |     |     |     |     |   |   |
| 17  | 1    | 26106-080502 | BOLT, M8X 50 PLATED  | 3    |     |     |     |     |     |   |   |

Fig.4. CYLINDER HEAD & BONNET



(A)=3TNV80F-NGGE

(B)=

(C)=

(D)=

(E)=

(F)=

| No. | Lev. | Parts No.    | Description          | Q'ty |     |     |     |     |     | I | R |
|-----|------|--------------|----------------------|------|-----|-----|-----|-----|-----|---|---|
|     |      |              |                      | (A)  | (B) | (C) | (D) | (E) | (F) |   |   |
| 1   | 1    | 129901-11450 | PROTECTOR, NOZZLE    | 3    |     |     |     |     |     |   |   |
| 2   | 1    | 119600-11460 | GASKET, NOZZLE       | 6    |     |     |     |     |     |   |   |
| 3   | 1    | 105010-11490 | CAP, VALVE           | 6    |     |     |     |     |     |   |   |
| 4   | 1    | 119E10-11750 | HEAD ASSY, CYLINDER  | 1    |     |     |     |     |     |   |   |
| 11  | 2    | 119285-11990 | PLUG, 35             | 2    |     |     |     |     |     |   |   |
| 12  | 2    | 23876-005000 | PLUG, R005           | 1    |     |     |     |     |     |   |   |
| 13  | 2    | 119E10-11100 | VALVE, SUCTION       | 3    |     |     |     |     |     |   |   |
| 14  | 2    | 119E10-11110 | VALVE, EXHAUST       | 3    |     |     |     |     |     |   |   |
| 15  | 2    | 119717-11131 | SPRING, VALVE        | 6    |     |     |     |     |     |   |   |
| 16  | 2    | 129508-11180 | RETAINER, SPRING     | 6    |     |     |     |     |     |   |   |
| 17  | 2    | 119717-11190 | COTTER               | 12   |     |     |     |     |     |   |   |
| 18  | 2    | 119717-11340 | SEAL, VALVE STEM     | 3    |     |     |     |     |     |   |   |
| 19  | 2    | 119717-11350 | SEAL, VALVE STEM     | 3    |     |     |     |     |     |   |   |
| 20  | 1    | 22351-060012 | PIN, SPRING 6.0X12   | 2    |     |     |     |     |     |   |   |
| 21  | 1    | 119717-11200 | SUPPORT ASSY, ARM    | 1    |     |     |     |     |     |   |   |
| 22  | 2    | 119717-11240 | SHAFT ASSY, ROCKER   | 1    |     |     |     |     |     |   |   |
| 25  | 2    | 119717-11260 | SUPPORT, ROCKER ARM  | 3    |     |     |     |     |     |   |   |
| 26  | 2    | 119620-11280 | SPRING               | 2    |     |     |     |     |     |   |   |
| 27  | 2    | 119717-11650 | ARM, ROCKER          | 6    |     |     |     |     |     |   |   |
| 28  | 3    | 129150-11230 | SCREW, VALVE ADJUST  | 6    |     |     |     |     |     |   |   |
| 30  | 3    | 129150-11750 | NUT, M8              | 6    |     |     |     |     |     |   |   |
| 31  | 2    | 22242-000120 | RING, 12             | 2    |     |     |     |     |     |   |   |
| 32  | 2    | 26979-050162 | SCREW, M5X16         | 1    |     |     |     |     |     |   |   |
| 33  | 1    | 26106-080402 | BOLT, M8X 40 PLATED  | 3    |     |     |     |     |     |   |   |
| 34  | 1    | 124160-01751 | COVER, FILLER        | 1    |     |     |     |     |     |   |   |
| 35  | 1    | 119717-11381 | BONNET ASSY, HEAD    | 1    |     |     |     |     |     |   |   |
| 36  | 2    | 119717-03031 | PLATE                | 1    |     |     |     |     |     |   |   |
| 37  | 3    | 119717-03070 | BAFFLE, BREATHER     | 1    |     |     |     |     |     |   |   |
| 38  | 2    | 119717-03070 | BAFFLE, BREATHER     | 2    |     |     |     |     |     |   |   |
| 39  | 2    | 119802-03100 | DIAPHRAGM ASSY       | 1    |     |     |     |     |     |   |   |
| 40  | 3    | 119802-03110 | PLATE                | 1    |     |     |     |     |     |   |   |
| 41  | 3    | 119802-03121 | COVER, DIAPHRAGM     | 1    |     |     |     |     |     |   |   |
| 42  | 3    | 119802-03131 | DIAPHRAGM            | 1    |     |     |     |     |     |   |   |
| 43  | 3    | 119802-03141 | SPRING, DIAPHRAGM    | 1    |     |     |     |     |     |   |   |
| 45  | 2    | 119718-11310 | GASKET, BONNET       | 1    |     |     |     |     |     |   |   |
| 46  | 2    | 119717-11320 | COVER, BONNET        | 1    |     |     |     |     |     |   |   |
| 47  | 2    | 119717-11331 | GASKET               | 1    |     |     |     |     |     |   |   |
| 48  | 2    | 22857-500100 | SCREW, 5X10          | 4    |     |     |     |     |     |   |   |
| 49  | 2    | 22857-500100 | SCREW, 5X10          | 4    |     |     |     |     |     |   |   |
| 50  | 2    | 22857-500160 | SCREW, 5X16          | 2    |     |     |     |     |     |   |   |
| 51  | 1    | 24311-000320 | O-RING, 1AP32.0      | 1    |     |     |     |     |     |   |   |
| 52  | 1    | 26106-060202 | BOLT, M6X 20 PLATED  | 3    |     |     |     |     |     |   |   |
| 53  | 1    | 26106-060752 | BOLT, M6X 75 PLATED  | 6    |     |     |     |     |     |   |   |
| 54  | 1    | 129900-07900 | LIFTER               | 1    |     |     |     |     |     |   |   |
| 55  | 1    | 26106-080162 | BOLT, M8X 16 PLATED  | 2    |     |     |     |     |     |   |   |
| 56  | 1    | 119717-77801 | PLUG, GLOW           | 3    |     |     |     |     |     |   |   |
| 57  | 1    | 119717-77820 | CONNECTOR, GLOW PLUG | 1    |     |     |     |     |     |   |   |
| 58  | 1    | 119717-11800 | GUIDE, VALVE         | 6    |     |     |     |     |     |   |   |

Remarks

(1) Spare parts.

N:Old  $\xrightarrow{\text{Yes}}$  New, Q:Old  $\xrightarrow{\text{No}}$  New, R:Old  $\xrightarrow{\text{Yes}}$  New, S:Old  $\xrightarrow{\text{No}}$  New, W:Add, Z:Discontinued, F:Interchangeable by set, K:Q'ty Change

Fig.5. EXHAUST MANIFOLD

(A)=3TNV80F-NGGE  
(B)=  
(C)=

(D)=  
(E)=  
(F)=

| No. | Lev. | Parts No.    | Description       | Q'ty |     |     |     |     |     | I | R |
|-----|------|--------------|-------------------|------|-----|-----|-----|-----|-----|---|---|
|     |      |              |                   | (A)  | (B) | (C) | (D) | (E) | (F) |   |   |
| 1   | 1    | 119717-13109 | MANIFOLD, EXHAUST | 1    |     |     |     |     |     |   |   |
| 2   | 1    | 119717-13110 | GASKET            | 1    |     |     |     |     |     |   |   |
| 3   | 1    | 119717-13600 | STUD, M8X50       | 2    |     |     |     |     |     |   |   |
| 4   | 1    | 119802-13620 | BOLT, M8X50       | 4    |     |     |     |     |     |   |   |
| 5   | 1    | 119131-18320 | STUD, M8X22       | 4    |     |     |     |     |     |   |   |
| 6   | 1    | 26306-080002 | NUT, M8           | 2    |     |     |     |     |     |   |   |
| 7   | 1    | 119515-13200 | GASKET, SILENCER  | 1    |     |     |     |     |     |   |   |

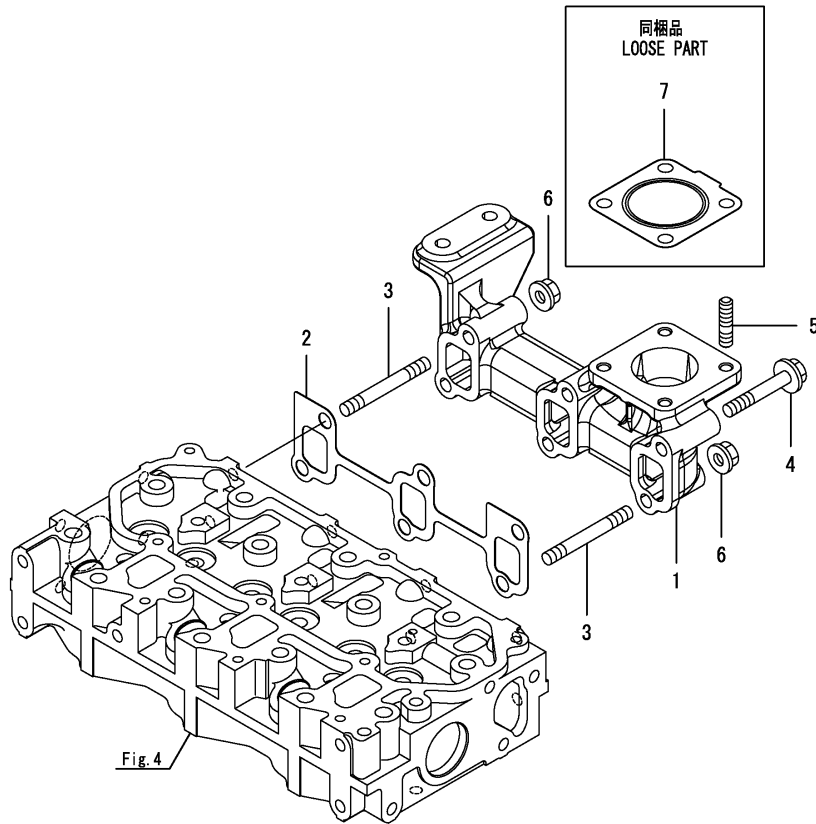
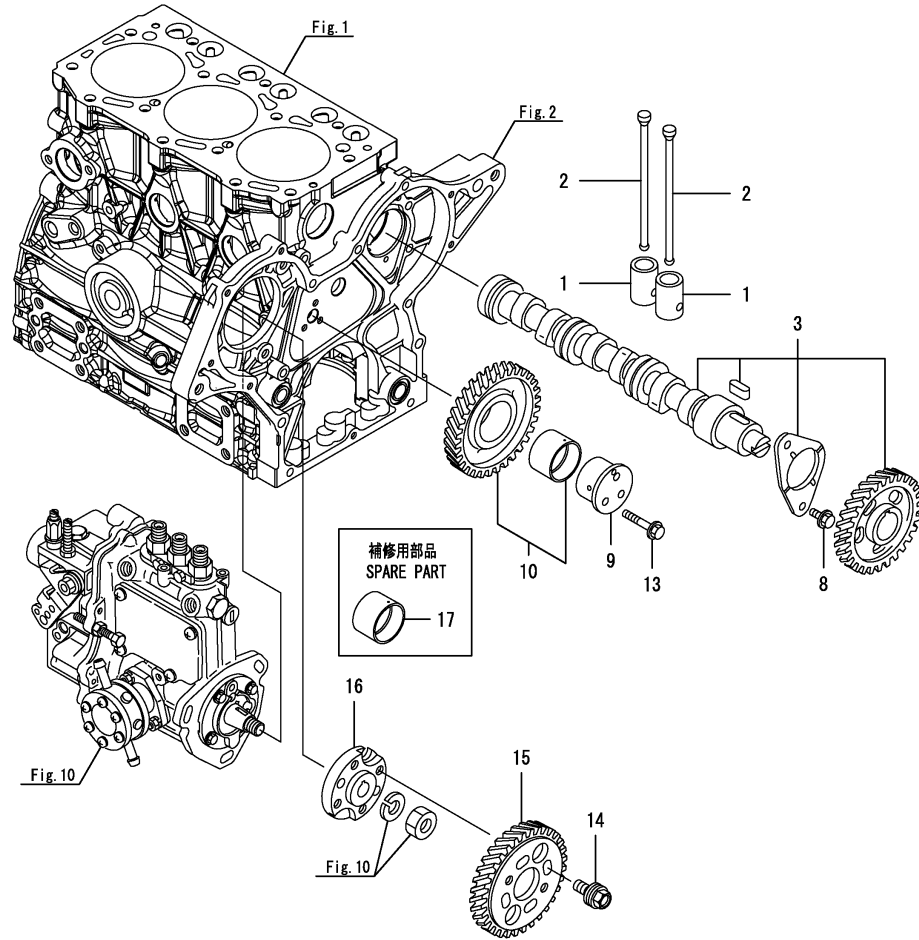


Fig.6. CAMSHAFT & DRIVING GEAR

(A)=3TNV80F-NGGE  
(B)=  
(C)=

(D)=  
(E)=  
(F)=



| No. | Lev. | Parts No.    | Description         | Q'ty |     |     |     |     |     | I | R |
|-----|------|--------------|---------------------|------|-----|-----|-----|-----|-----|---|---|
|     |      |              |                     | (A)  | (B) | (C) | (D) | (E) | (F) |   |   |
| 1   | 1    | 119620-14200 | TAPPET              | 6    |     |     |     |     |     |   |   |
| 2   | 1    | 119717-14400 | ROD, PUSH           | 6    |     |     |     |     |     |   |   |
| 3   | 1    | 119717-14581 | CAMSHAFT ASSY       | 1    |     |     |     |     |     |   |   |
| 8   | 1    | 26106-060122 | BOLT, M6X 12 PLATED | 2    |     |     |     |     |     |   |   |
| 9   | 1    | 119717-25050 | SHAFT, IDLE         | 1    |     |     |     |     |     |   |   |
| 10  | 1    | 119717-25101 | GEAR ASSY, IDLE     | 1    |     |     |     |     |     |   |   |
| 13  | 1    | 26106-060352 | BOLT, M6X 35 PLATED | 3    |     |     |     |     |     |   |   |
| 14  | 1    | 129150-25301 | BOLT                | 4    |     |     |     |     |     |   |   |
| 15  | 1    | 119717-25930 | GEAR, PUMP          | 1    |     |     |     |     |     |   |   |
| 16  | 1    | 119717-51150 | FLANGE              | 1    |     |     |     |     |     |   |   |
| 17  | 1    | 119717-25911 | BUSH, IDLE GEAR     | 1    |     |     |     |     |     |   | 1 |

Remarks

(1) Spare parts.

Fig.7. CRANKSHAFT & PISTON

(A)=3TNV80F-NGGE

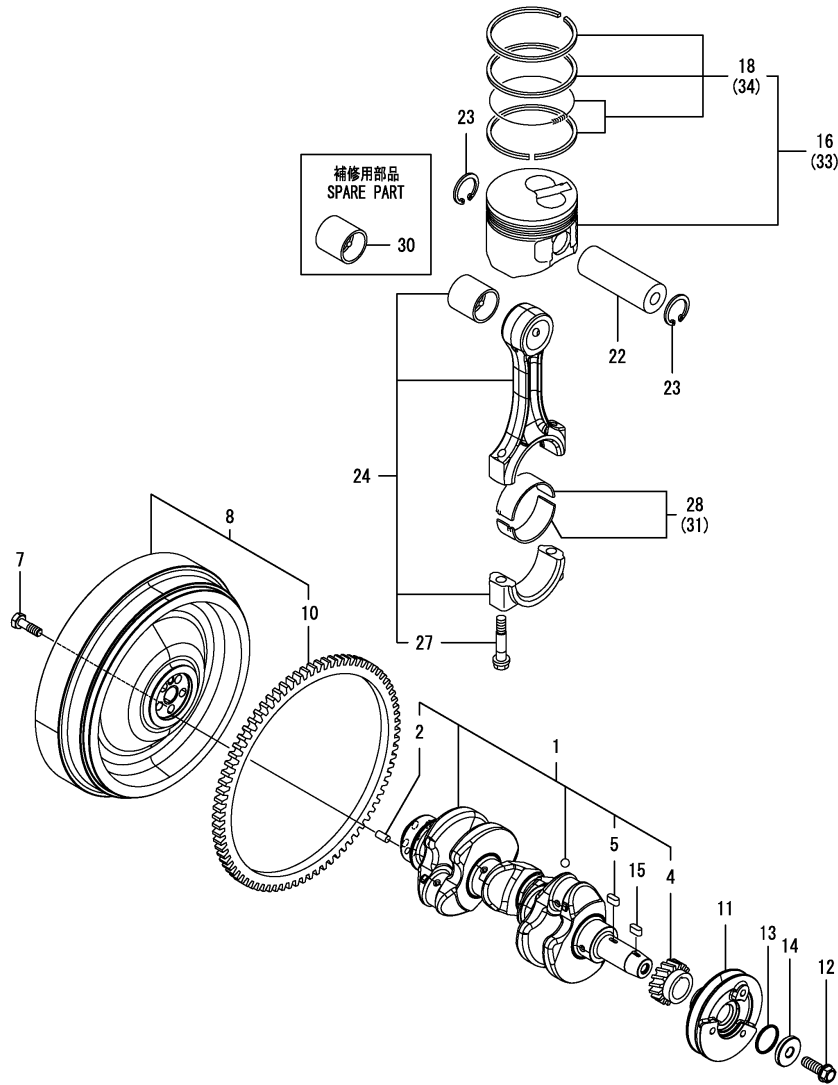
(B)=

(C)=

(D)=

(E)=

(F)=



| No. | Lev. | Parts No.    | Description          | Q'ty |     |     |     |     |     | I | R |
|-----|------|--------------|----------------------|------|-----|-----|-----|-----|-----|---|---|
|     |      |              |                      | (A)  | (B) | (C) | (D) | (E) | (F) |   |   |
| 1   | 1    | 119E10-21700 | CRANKSHAFT ASSY      | 1    |     |     |     |     |     |   |   |
| 2   | 2    | 129100-01580 | PIN, 8X16            | 1    |     |     |     |     |     |   |   |
| 4   | 2    | 119717-21200 | GEAR, CRANKSHAFT     | 1    |     |     |     |     |     |   |   |
| 5   | 2    | 22512-040120 | KEY, 4X 12           | 1    |     |     |     |     |     |   |   |
| 7   | 1    | 121111-21501 | BOLT, FLYWHEEL       | 5    |     |     |     |     |     |   |   |
| 8   | 1    | 119E17-21570 | FLYWHEEL ASSY        | 1    |     |     |     |     |     |   |   |
| 10  | 2    | 119865-21600 | GEAR, RING           | 1    |     |     |     |     |     |   |   |
| 11  | 1    | 119C10-21650 | V-PULLEY, CRANKSHAFT | 1    |     |     |     |     |     |   |   |
| 12  | 1    | 119621-21681 | BOLT, FLANGE 12X1.25 | 1    |     |     |     |     |     |   |   |
| 13  | 1    | 119C10-21930 | PACKING, WASHER      | 1    |     |     |     |     |     |   |   |
| 14  | 1    | 119C10-21940 | WASHER, V-PULLEY     | 1    |     |     |     |     |     |   |   |
| 15  | 1    | 22512-040120 | KEY, 4X 12           | 1    |     |     |     |     |     |   |   |
| 16  | 1    | 119E10-22080 | PISTON ASSY          | 3    |     |     |     |     |     |   |   |
| 18  | 2    | 119E10-22500 | RING ASSY            | 3    |     |     |     |     |     |   |   |
| 22  | 1    | 119E10-22300 | PIN, PISTON          | 3    |     |     |     |     |     |   |   |
| 23  | 1    | 22252-000220 | RING, 22             | 6    |     |     |     |     |     |   |   |
| 24  | 1    | 119E10-23000 | ROD ASSY, CONNECTING | 3    |     |     |     |     |     |   |   |
| 27  | 2    | 119717-23200 | BOLT, CONNECTING ROD | 6    |     |     |     |     |     |   |   |
| 28  | 1    | 119717-23601 | BEARING, CRANK PIN   | 3    |     |     |     |     |     |   |   |
| 30  | 1    | 119717-23910 | BEARING, PISTON PIN  | 3    |     |     |     |     |     |   | 1 |
| 31  | 1    | 119717-23611 | METAL ASSY, 0.25     | 3    |     |     |     |     |     |   | 2 |
| 33  | 1    | 119E10-22900 | PISTON ASSY, 0.25 OS | 3    |     |     |     |     |     |   | 3 |
| 34  | 2    | 119E10-22550 | RING ASSY, 0.25      | 3    |     |     |     |     |     |   | 3 |

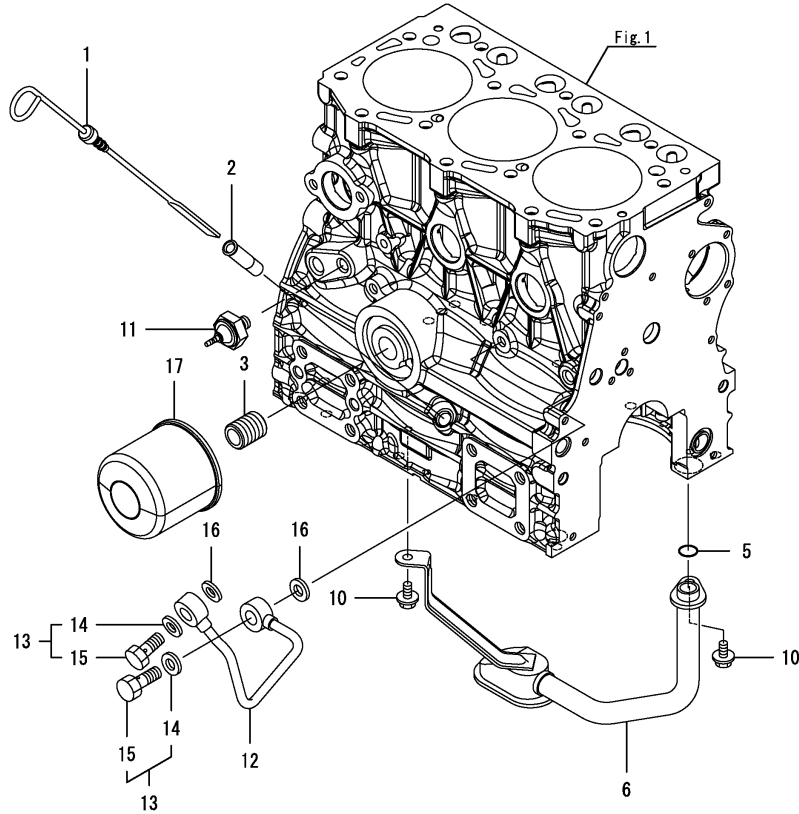
Remarks

- (1) Spare parts.
- (2) Under-sized (U.S.=0.25) parts.
- (3) Over-sized (O.S.=0.25) parts.

Fig.8. LUB. OIL SYSTEM

(A)=3TNV80F-NGGE  
(B)=  
(C)=

(D)=  
(E)=  
(F)=



| No. | Lev. | Parts No.    | Description          | Q'ty |     |     |     |     |     | I | R |
|-----|------|--------------|----------------------|------|-----|-----|-----|-----|-----|---|---|
|     |      |              |                      | (A)  | (B) | (C) | (D) | (E) | (F) |   |   |
| 1   | 1    | 119717-34801 | DIPSTICK, OIL        | 1    |     |     |     |     |     |   |   |
| 2   | 1    | 121520-34810 | GUIDE, DIPSTICK      | 1    |     |     |     |     |     |   |   |
| 3   | 1    | 119717-35140 | BOLT                 | 1    |     |     |     |     |     |   |   |
| 5   | 1    | 119717-32060 | O-RING, P15.0        | 1    |     |     |     |     |     |   |   |
| 6   | 1    | 119717-35080 | PIPE ASSY, OIL INLET | 1    |     |     |     |     |     |   |   |
| 10  | 1    | 26106-060102 | BOLT, M6X 10 PLATED  | 2    |     |     |     |     |     |   |   |
| 11  | 1    | 114250-39450 | SWITCH, 0.5KG        | 1    |     |     |     |     |     |   |   |
| 12  | 1    | 119717-39210 | PIPE, OIL            | 1    |     |     |     |     |     |   |   |
| 13  | 1    | 129005-59830 | BOLT ASSY, JOINT M8  | 2    |     |     |     |     |     |   |   |
| 14  | 2    | 22190-080002 | WASHER, SEAL 8       | 2    |     |     |     |     |     |   |   |
| 15  | 2    | 23857-030000 | BOLT, JOINT 3        | 2    |     |     |     |     |     |   |   |
| 16  | 1    | 22190-080002 | WASHER, SEAL 8       | 2    |     |     |     |     |     |   |   |
| 17  | 1    | 119305-35170 | FILTER ASSY, D68XL65 | 1    |     |     |     |     |     |   | 1 |

Remarks

(1) Spare parts.

N:Old  $\xrightarrow{\text{Yes}}$  New, Q:Old  $\xrightarrow{\text{No}}$  New, R:Old  $\xrightarrow{\text{Yes}}$  New, S:Old  $\xrightarrow{\text{No}}$  New, W:Add, Z:Discontinued, F:Interchangeable by set, K:Q'ty Change

Fig.9. COOLING WATER SYSTEM

(A)=3TNV80F-NGGE

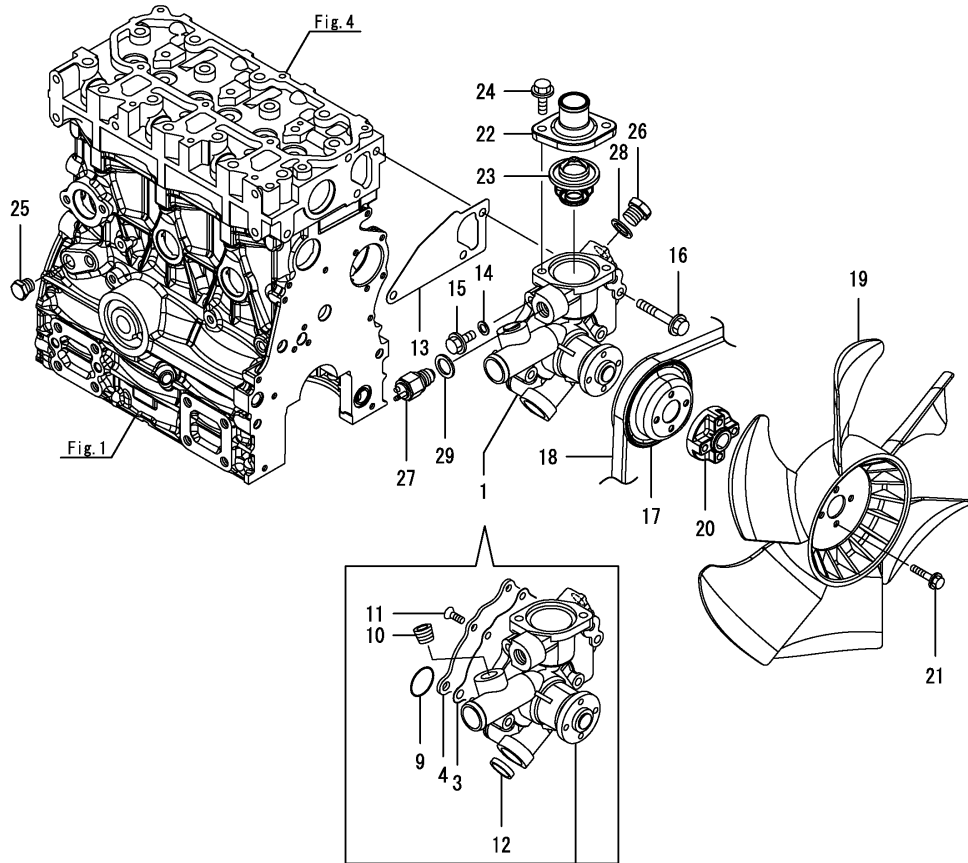
(B)=

(C)=

(D)=

(E)=

(F)=

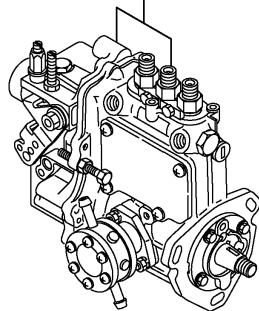
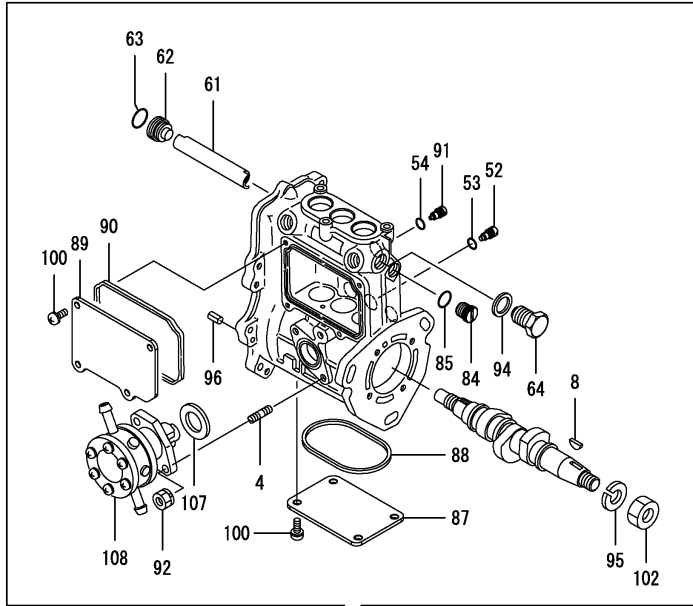


| No. | Lev. | Parts No.    | Description          | Q'ty |     |     |     |     |     | I | R |
|-----|------|--------------|----------------------|------|-----|-----|-----|-----|-----|---|---|
|     |      |              |                      | (A)  | (B) | (C) | (D) | (E) | (F) |   |   |
| 1   | 1    | 119E10-42000 | PUMP ASSY, WATER     | 1    |     |     |     |     |     |   |   |
| 3   | 2    | 119717-42031 | GASKET               | 1    |     |     |     |     |     |   |   |
| 4   | 2    | 119717-42041 | COVER                | 1    |     |     |     |     |     |   |   |
| 9   | 2    | 119C10-42320 | O-RING, 2028         | 1    |     |     |     |     |     |   |   |
| 10  | 2    | 129916-49740 | PLUG, R03            | 1    |     |     |     |     |     |   |   |
| 11  | 2    | 26577-060122 | SCREW, M6X12         | 4    |     |     |     |     |     |   |   |
| 12  | 2    | 27241-250000 | PLUG, 25             | 1    |     |     |     |     |     |   |   |
| 13  | 1    | 119717-42020 | GASKET, WATER PUMP   | 1    |     |     |     |     |     |   |   |
| 14  | 1    | 23414-080000 | GASKET, 8X1.0        | 1    |     |     |     |     |     |   |   |
| 15  | 1    | 26106-080122 | BOLT, M8X 12 PLATED  | 1    |     |     |     |     |     |   |   |
| 16  | 1    | 26106-080502 | BOLT, M8X 50 PLATED  | 3    |     |     |     |     |     |   |   |
| 17  | 1    | 119717-42350 | V-PULLEY, D=100      | 1    |     |     |     |     |     |   |   |
| 18  | 1    | 25132-003600 | V-BELT, A36          | 1    |     |     |     |     |     |   |   |
| 19  | 1    | 171340-44740 | FAN, COOLING D335XNF | 1    |     |     |     |     |     |   |   |
| 20  | 1    | 121267-44760 | SPACER               | 1    |     |     |     |     |     |   |   |
| 21  | 1    | 26106-060302 | BOLT, M6X 30 PLATED  | 4    |     |     |     |     |     |   |   |
| 22  | 1    | 129350-49530 | COVER, THERMOSTAT    | 1    |     |     |     |     |     |   |   |
| 23  | 1    | 119717-49800 | THERMOSTAT, 71       | 1    |     |     |     |     |     |   |   |
| 24  | 1    | 26106-080202 | BOLT, M8X 20 PLATED  | 2    |     |     |     |     |     |   |   |
| 25  | 1    | 171056-49120 | PLUG, DRAIN          | 1    |     |     |     |     |     |   |   |
| 26  | 1    | 121450-42450 | PLUG, M16            | 1    |     |     |     |     |     |   |   |
| 27  | 1    | 121250-44901 | SWITCH, 110          | 1    |     |     |     |     |     |   |   |
| 28  | 1    | 124465-44950 | GASKET, 16           | 1    |     |     |     |     |     |   |   |
| 29  | 1    | 124465-44950 | GASKET, 16           | 1    |     |     |     |     |     |   |   |

Fig.10. FUEL INJECTION PUMP

(A)=3TNV80F-NGGE  
(B)=  
(C)=

(D)=  
(E)=  
(F)=



| No. | Lev. | Parts No.    | Description          | Q'ty |     |     |     |     |     | I | R |
|-----|------|--------------|----------------------|------|-----|-----|-----|-----|-----|---|---|
|     |      |              |                      | (A)  | (B) | (C) | (D) | (E) | (F) |   |   |
| 1   | 1    | 719E46-51300 | FIE ASSY             | 1    |     |     |     |     |     |   | 1 |
| 4   | 2    | 129155-51020 | STUD                 | 2    |     |     |     |     |     |   |   |
| 8   | 2    | 122710-51090 | KEY                  | 1    |     |     |     |     |     |   |   |
| 52  | 2    | 158600-51270 | STOPPER, TAPPET      | 3    |     |     |     |     |     |   |   |
| 53  | 2    | 129155-51280 | O-RING, S6           | 3    |     |     |     |     |     |   |   |
| 54  | 2    | 129155-51280 | O-RING, S6           | 1    |     |     |     |     |     |   |   |
| 61  | 2    | 129155-51400 | DEFLECTOR            | 1    |     |     |     |     |     |   |   |
| 62  | 2    | 158600-51410 | PLUG, DEFLECTOR      | 1    |     |     |     |     |     |   |   |
| 63  | 2    | 119717-51420 | O-RING               | 1    |     |     |     |     |     |   |   |
| 64  | 2    | 158600-51420 | PLUG, DEFLECTOR      | 1    |     |     |     |     |     |   |   |
| 84  | 2    | 158600-51570 | PLUG                 | 1    |     |     |     |     |     |   |   |
| 85  | 2    | 129155-51580 | O-RING               | 1    |     |     |     |     |     |   |   |
| 87  | 2    | 129155-51701 | COVER                | 1    |     |     |     |     |     |   |   |
| 88  | 2    | 119717-51711 | GASKET               | 1    |     |     |     |     |     |   |   |
| 89  | 2    | 119717-51750 | COVER                | 1    |     |     |     |     |     |   |   |
| 90  | 2    | 119717-51761 | GASKET               | 1    |     |     |     |     |     |   |   |
| 91  | 2    | 158600-51790 | STOOPER, RACK        | 1    |     |     |     |     |     |   |   |
| 92  | 2    | 119717-51860 | NUT, M6              | 2    |     |     |     |     |     |   |   |
| 94  | 2    | 22190-160002 | WASHER, SEAL 16      | 1    |     |     |     |     |     |   |   |
| 95  | 2    | 22217-120000 | WASHER, SPRING 12    | 1    |     |     |     |     |     |   |   |
| 96  | 2    | 22351-050010 | PIN, SPRING 5.0X10   | 2    |     |     |     |     |     |   |   |
| 100 | 2    | 26022-050122 | SCREW, M5X12         | 8    |     |     |     |     |     |   |   |
| 102 | 2    | 26716-120002 | NUT, M12             | 1    |     |     |     |     |     |   |   |
| 107 | 2    | 129155-52051 | GASKET               | 1    |     |     |     |     |     |   |   |
| 108 | 2    | 129100-52101 | PUMP ASSY, FUEL FEED | 1    |     |     |     |     |     |   |   |

Remarks

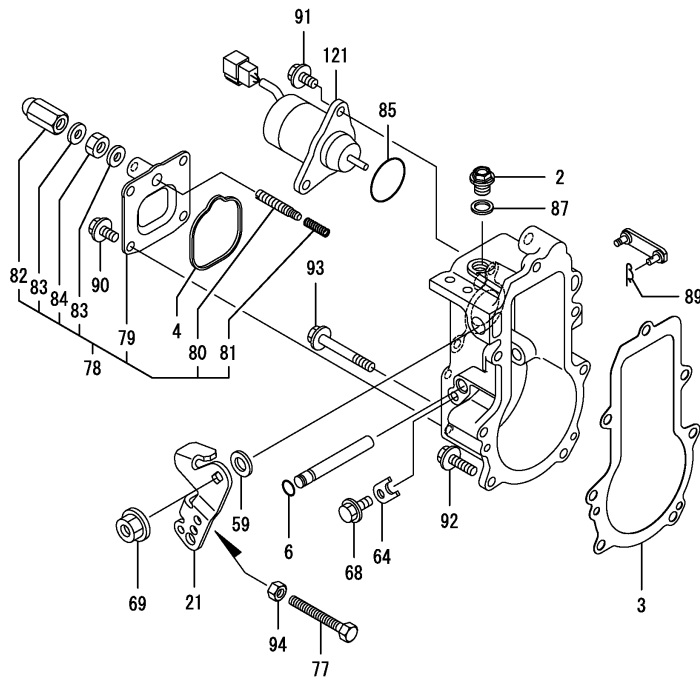
(1)Governor(Fig.11) is incorporated in this Fuel Injection Pump(No.1).

N:Old  $\begin{matrix} \text{Yes} \\ \text{No} \end{matrix}$  New, Q:Old  $\begin{matrix} \text{No} \\ \text{Yes} \end{matrix}$  New, R:Old  $\begin{matrix} \text{Yes} \\ \text{No} \end{matrix}$  New, S:Old  $\begin{matrix} \text{No} \\ \text{Yes} \end{matrix}$  New, W:Add, Z:Discontinued, F:Interchangeable by set, K:Q'ty Change

Fig.11. GOVERNOR

(A)=3TNV80F-NGGE  
(B)=  
(C)=

(D)=  
(E)=  
(F)=



| No. | Lev. | Parts No.    | Description          | Q'ty |     |     |     |     |     | I | R |
|-----|------|--------------|----------------------|------|-----|-----|-----|-----|-----|---|---|
|     |      |              |                      | (A)  | (B) | (C) | (D) | (E) | (F) |   |   |
| 2   | 2    | 119717-51930 | PLUG,M10             | 1    |     |     |     |     |     |   |   |
| 3   | 2    | 119717-61050 | GASKET               | 1    |     |     |     |     |     |   |   |
| 4   | 2    | 119717-61070 | GASKET               | 1    |     |     |     |     |     |   |   |
| 6   | 2    | 129155-51280 | O-RING, S6           | 1    |     |     |     |     |     |   |   |
| 21  | 2    | 119746-61440 | LEVER, CONTROL       | 1    |     |     |     |     |     |   |   |
| 59  | 2    | 158552-61700 | SHIM SET             | 1    |     |     |     |     |     |   |   |
| 64  | 2    | 119660-61901 | RETAINER, SHAFT      | 1    |     |     |     |     |     |   |   |
| 68  | 2    | 26106-060102 | BOLT, M6X 10 PLATED  | 1    |     |     |     |     |     |   |   |
| 69  | 2    | 26366-080002 | NUT, M8              | 1    |     |     |     |     |     |   |   |
| 77  | 2    | 129155-61460 | BOLT, IDLE           | 1    |     |     |     |     |     |   |   |
| 78  | 2    | 119746-61600 | COVER ASSY           | 1    |     |     |     |     |     |   |   |
| 79  | 3    | 119746-61060 | COVER, GOVERNOR CASE | 1    |     |     |     |     |     |   |   |
| 80  | 3    | 119645-61070 | SCREW                | 1    |     |     |     |     |     |   |   |
| 81  | 3    | 119746-61080 | SPRING               | 1    |     |     |     |     |     |   |   |
| 82  | 3    | 119600-66840 | NUT, CAP             | 1    |     |     |     |     |     |   |   |
| 83  | 3    | 22190-060003 | SEAL WASER 6         | 2    |     |     |     |     |     |   |   |
| 84  | 3    | 26756-060002 | NUT, LOCK M6         | 1    |     |     |     |     |     |   |   |
| 85  | 2    | 158552-61900 | O-RING               | 1    |     |     |     |     |     |   |   |
| 87  | 2    | 22190-100002 | WASHER, SEAL 10      | 1    |     |     |     |     |     |   |   |
| 89  | 2    | 22372-040000 | PIN, SNAP 4          | 1    |     |     |     |     |     |   |   |
| 90  | 2    | 26106-060102 | BOLT, M6X 10 PLATED  | 4    |     |     |     |     |     |   |   |
| 91  | 2    | 26106-060142 | BOLT, M6X 14 PLATED  | 2    |     |     |     |     |     |   |   |
| 92  | 2    | 26106-060202 | BOLT, M6X 20 PLATED  | 4    |     |     |     |     |     |   |   |
| 93  | 2    | 26106-060452 | BOLT, M6X 45 PLATED  | 3    |     |     |     |     |     |   |   |
| 94  | 2    | 26756-060002 | NUT, LOCK M6         | 1    |     |     |     |     |     |   |   |
| 121 | 2    | 119653-77950 | SOLENOID, STOP       | 1    |     |     |     |     |     |   |   |

Remarks

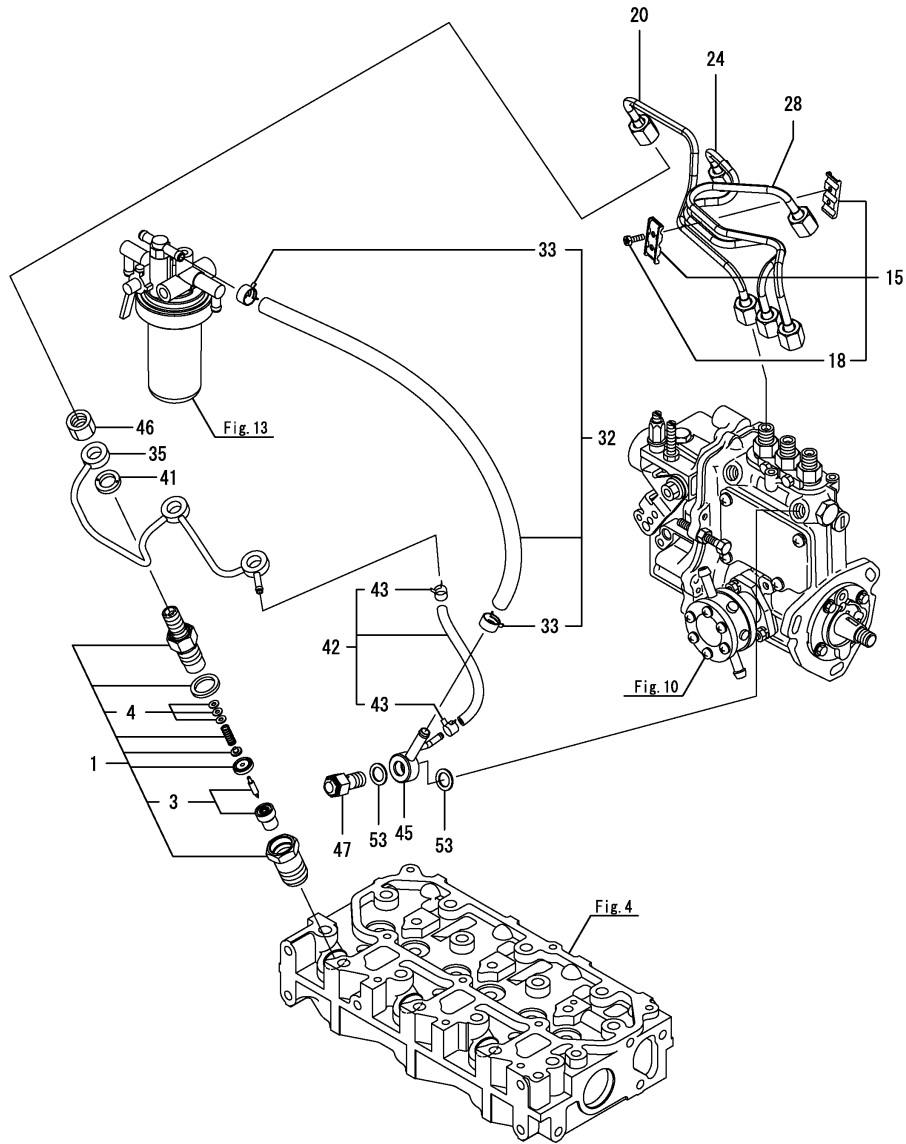
\* This figure(Governor) is incorporated in the Fuel Injection Pump(Fig.10).

N:Old  $\xrightarrow{\text{Yes}}$  New, Q:Old  $\xrightarrow{\text{No}}$  New, R:Old  $\xrightarrow{\text{Yes}}$  New, S:Old  $\xrightarrow{\text{No}}$  New, W:Add, Z:Discontinued, F:Interchangeable by set, K:Q'ty Change

Fig.12. FUEL INJECTION VALVE

(A)=3TNV80F-NGGE  
(B)=  
(C)=

(D)=  
(E)=  
(F)=



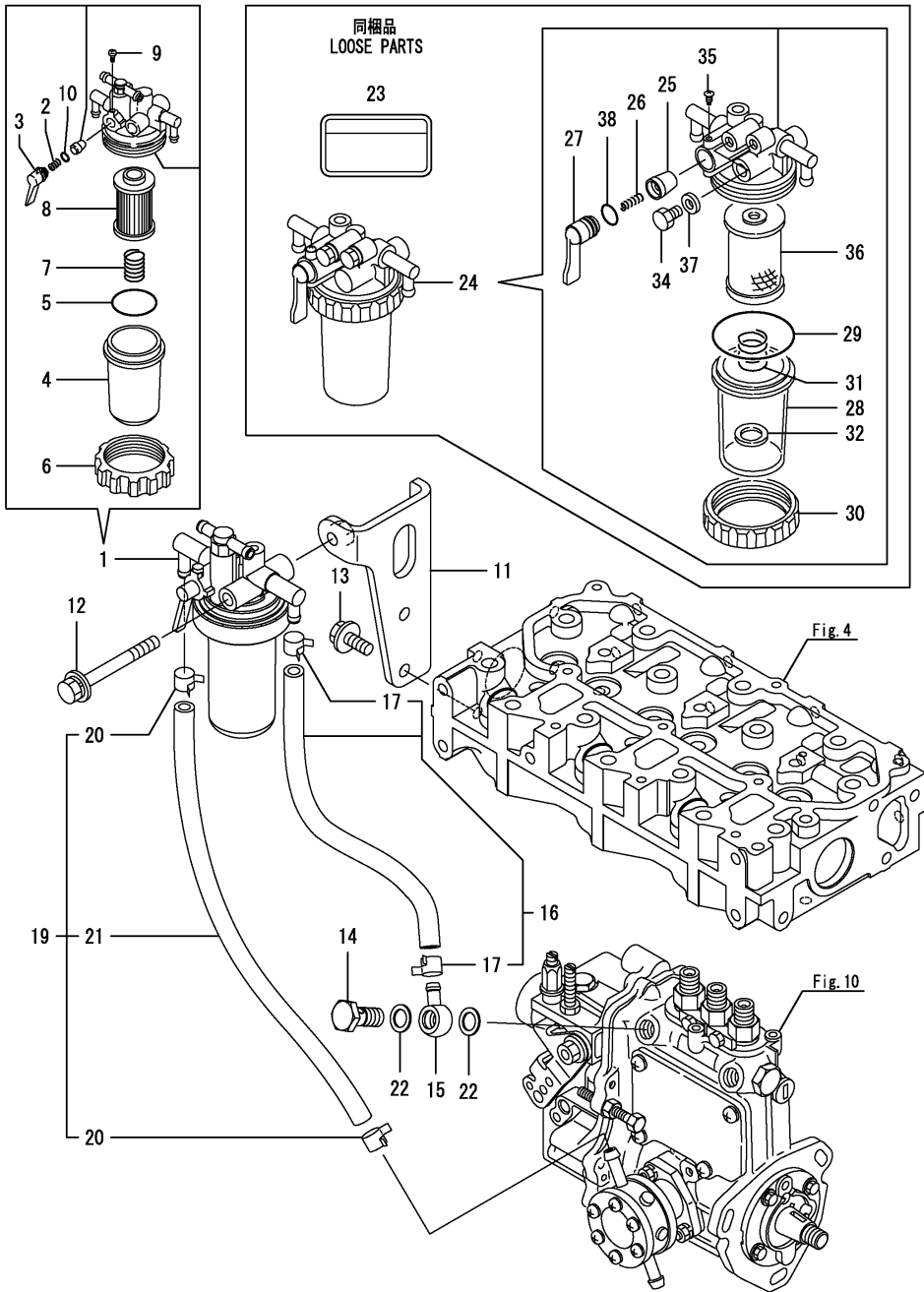
| No. | Lev. | Parts No.    | Description          | Q'ty |     |     |     |     |     | I | R |
|-----|------|--------------|----------------------|------|-----|-----|-----|-----|-----|---|---|
|     |      |              |                      | (A)  | (B) | (C) | (D) | (E) | (F) |   |   |
| 1   | 1    | 119517-53001 | VALVE ASSY,INJECTION | 3    |     |     |     |     |     |   |   |
| 3   | 2    | 119517-53010 | NOZZLE ASSY          | 3    |     |     |     |     |     |   |   |
| 4   | 2    | 129901-53800 | SHIM SET, ADJUSTING  |      |     |     |     |     |     |   | 1 |
| 15  | 1    | 129150-59120 | RETAINER, PIPE       | 1    |     |     |     |     |     |   |   |
| 18  | 2    | 129150-59131 | BOLT, M4X14          | 2    |     |     |     |     |     |   |   |
| 20  | 1    | 119E10-59810 | PIPE ASSY,INJ.NO1    | 1    |     |     |     |     |     |   |   |
| 24  | 1    | 119E10-59820 | PIPE ASSY,INJ.NO2    | 1    |     |     |     |     |     |   |   |
| 28  | 1    | 119E10-59830 | PIPE ASSY,INJ.NO3    | 1    |     |     |     |     |     |   |   |
| 32  | 1    | 129210-59170 | PIPE ASSY, FUEL      | 1    |     |     |     |     |     |   |   |
| 33  | 2    | 124766-59050 | CLIP, HOSE 11.5      | 2    |     |     |     |     |     |   |   |
| 35  | 1    | 119717-59510 | PIPE ASSY, RETURN    | 1    |     |     |     |     |     |   |   |
| 41  | 1    | 129901-59560 | GASKET               | 3    |     |     |     |     |     |   |   |
| 42  | 1    | 119540-59570 | PIPE ASSY, RETURN    | 1    |     |     |     |     |     |   |   |
| 43  | 2    | 124066-59100 | CLIP, HOSE 8         | 2    |     |     |     |     |     |   |   |
| 45  | 1    | 119840-59570 | JOINT                | 1    |     |     |     |     |     |   |   |
| 46  | 1    | 119620-59700 | NUT, NOZZLE          | 3    |     |     |     |     |     |   |   |
| 47  | 1    | 119813-59950 | VALVE ASSY, CHECK    | 1    |     |     |     |     |     |   |   |
| 53  | 1    | 22190-12002  | WASHER, SEAL 12      | 2    |     |     |     |     |     |   |   |

Remarks

(1) Spare parts.

N:Old  $\xrightarrow{\text{Yes}}$  New, Q:Old  $\xrightarrow{\text{No}}$  New, R:Old  $\xrightarrow{\text{Yes}}$  New, S:Old  $\xrightarrow{\text{No}}$  New, W:Add, Z:Discontinued, F:Interchangeable by set, K:Q'ty Change

Fig.13. FUEL PIPE



(A)=3TNV80F-NGGE

(B)=

(C)=

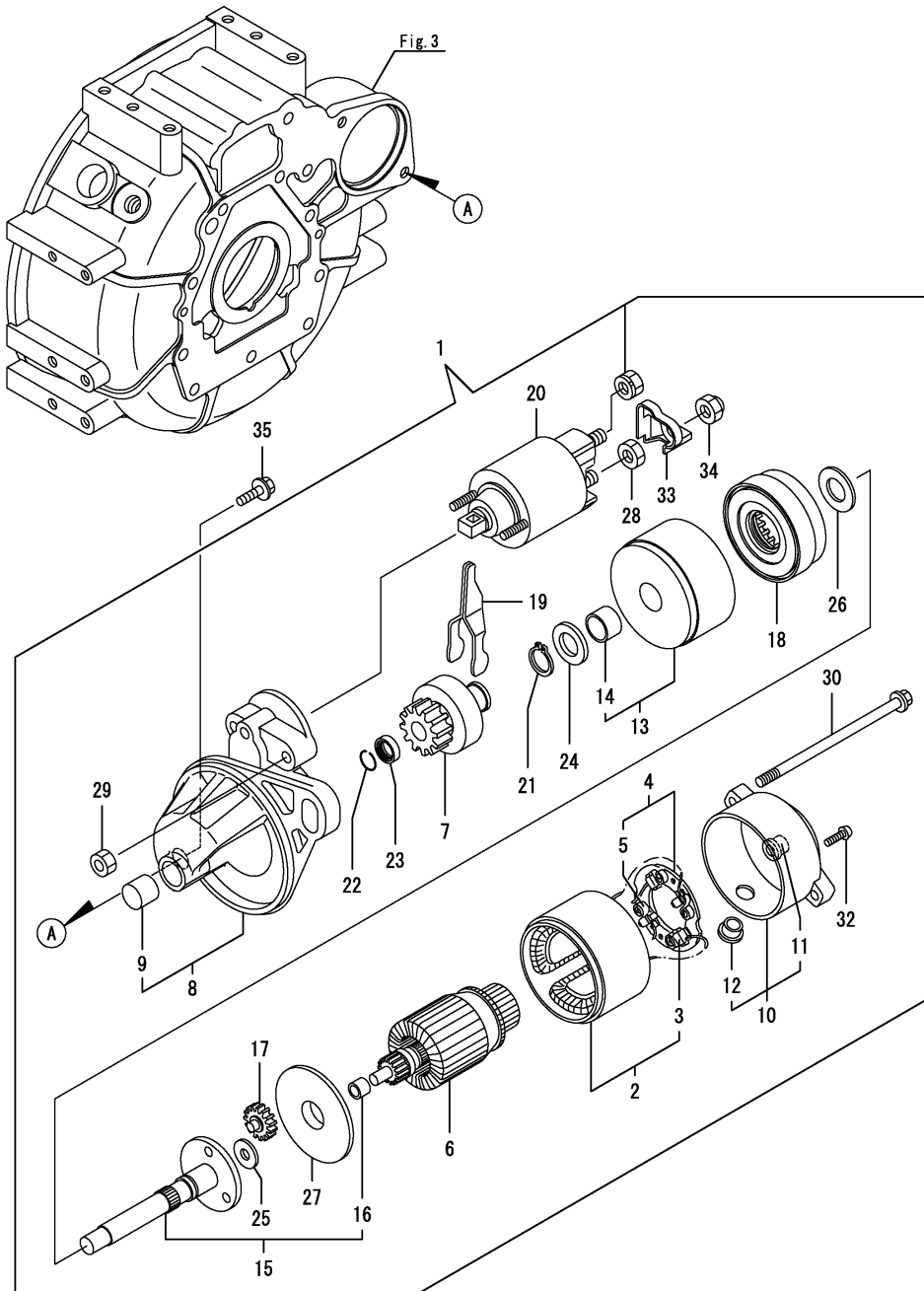
(D)=

(E)=

(F)=

| No. | Lev. | Parts No.    | Description          | Q'ty |     |     |     |     |     | I | R |
|-----|------|--------------|----------------------|------|-----|-----|-----|-----|-----|---|---|
|     |      |              |                      | (A)  | (B) | (C) | (D) | (E) | (F) |   |   |
| 1   | 1    | 119833-55621 | FILTER ASSY, FUEL    | 1    |     |     |     |     |     |   |   |
| 2   | 2    | 104200-55330 | SPRING, VALVE        | 1    |     |     |     |     |     |   |   |
| 3   | 2    | 119810-55340 | LEVER                | 1    |     |     |     |     |     |   |   |
| 4   | 2    | 121254-55510 | COVER                | 1    |     |     |     |     |     |   |   |
| 5   | 2    | 102103-55520 | O-RING               | 1    |     |     |     |     |     |   |   |
| 6   | 2    | 110250-55610 | RING, RETAINING      | 1    |     |     |     |     |     |   |   |
| 7   | 2    | 121250-55620 | SPRING               | 1    |     |     |     |     |     |   |   |
| 8   | 2    | 119810-55650 | ELEMENT              | 1    |     |     |     |     |     |   |   |
| 9   | 2    | 104200-55750 | SCREW, M4            | 1    |     |     |     |     |     |   |   |
| 10  | 2    | 24311-240100 | O-RING, 1AP10A       | 1    |     |     |     |     |     |   |   |
| 11  | 1    | 119717-55650 | BRACKET, FILTER      | 1    |     |     |     |     |     |   |   |
| 12  | 1    | 26014-080702 | BOLT, M8X 70         | 1    |     |     |     |     |     |   |   |
| 13  | 1    | 26106-080162 | BOLT, M8X 16 PLATED  | 2    |     |     |     |     |     |   |   |
| 14  | 1    | 103854-39140 | BOLT, PIPE JOINT     | 2    |     |     |     |     |     |   |   |
| 15  | 1    | 101304-59020 | JOINT, PIPE 12       | 1    |     |     |     |     |     |   |   |
| 16  | 1    | 129210-59080 | PIPE ASSY, FUEL      | 1    |     |     |     |     |     |   |   |
| 17  | 2    | 124766-59050 | CLIP, HOSE 11.5      | 2    |     |     |     |     |     |   |   |
| 19  | 1    | 129210-59170 | PIPE ASSY, FUEL      | 1    |     |     |     |     |     |   |   |
| 20  | 2    | 124766-59050 | CLIP, HOSE 11.5      | 2    |     |     |     |     |     |   |   |
| 21  | 2    | 105225-59511 | PIPE, FUEL           | 1    |     |     |     |     |     |   |   |
| 22  | 1    | 22190-120002 | WASHER, SEAL 12      | 2    |     |     |     |     |     |   |   |
| 23  | 1    | 114110-07761 | LABEL, FUEL OIL CAUT | 1    |     |     |     |     |     |   |   |
| 24  | 1    | 129335-55701 | SEPARATOR ASSY,WATER | 1    |     |     |     |     |     |   |   |
| 25  | 2    | 104200-55321 | VALVE, TAPER         | 1    |     |     |     |     |     |   |   |
| 26  | 2    | 104200-55330 | SPRING, VALVE        | 1    |     |     |     |     |     |   |   |
| 27  | 2    | 104200-55341 | HANDLE               | 1    |     |     |     |     |     |   |   |
| 28  | 2    | 124064-55510 | COVER                | 1    |     |     |     |     |     |   |   |
| 29  | 2    | 102103-55520 | O-RING               | 1    |     |     |     |     |     |   |   |
| 30  | 2    | 110250-55610 | RING, RETAINING      | 1    |     |     |     |     |     |   |   |
| 31  | 2    | 121257-55720 | SPRING               | 1    |     |     |     |     |     |   |   |
| 32  | 2    | 121257-55731 | FLOAT                | 1    |     |     |     |     |     |   |   |
| 34  | 2    | 101720-55750 | PLUG, 6              | 2    |     |     |     |     |     |   |   |
| 35  | 2    | 104200-55750 | SCREW, M4            | 1    |     |     |     |     |     |   |   |
| 36  | 2    | 171081-55910 | SCREEN               | 1    |     |     |     |     |     |   |   |
| 37  | 2    | 23418-060000 | GASKET, 6X1.0        | 2    |     |     |     |     |     |   |   |
| 38  | 2    | 24311-240100 | O-RING, 1AP10A       | 1    |     |     |     |     |     |   |   |

Fig.14. STARTER MOTOR



(A)=3TNV80F-NGGE

(B)=

(C)=

(D)=

(E)=

(F)=

| No. | Lev. | Parts No.    | Description          | Q'ty |     |     |     |     |     | I | R |
|-----|------|--------------|----------------------|------|-----|-----|-----|-----|-----|---|---|
|     |      |              |                      | (A)  | (B) | (C) | (D) | (E) | (F) |   |   |
| 1   | 1    | 119717-77010 | STARTER, P1.1        | 1    |     |     |     |     |     |   |   |
| 2   | 2    | X0281007750  | YOKE ASSY            | 1    |     |     |     |     |     |   |   |
| 3   | 3    | X0280996180  | STARTER KIT          | 2    |     |     |     |     |     |   |   |
| 4   | 2    | X0285105190  | HOLDER ASSY          | 1    |     |     |     |     |     |   |   |
| 5   | 3    | X0285205030  | SPRING               | 4    |     |     |     |     |     |   |   |
| 6   | 2    | X0282005991  | ARMATURE ASSY        | 1    |     |     |     |     |     |   |   |
| 7   | 2    | X0283006960  | CLUTCH ASSY          | 1    |     |     |     |     |     |   |   |
| 8   | 2    | X4284001590  | HOUSING ASSY         | 1    |     |     |     |     |     |   |   |
| 9   | 3    | X9491050100  | BEARING, NEEDLE      | 1    |     |     |     |     |     |   |   |
| 10  | 2    | X0285007030  | FRAME ASSY           | 1    |     |     |     |     |     |   |   |
| 11  | 3    | X9491040990  | BEARING              | 1    |     |     |     |     |     |   |   |
| 12  | 3    | X0280626010  | COVER                | 1    |     |     |     |     |     |   |   |
| 13  | 2    | X0284105040  | BEARING ASSY         | 1    |     |     |     |     |     |   |   |
| 14  | 3    | X9491034330  | BEARING              | 1    |     |     |     |     |     |   |   |
| 15  | 2    | X0286105010  | SHAFT ASSY           | 1    |     |     |     |     |     |   |   |
| 16  | 3    | X9491034320  | BEARING              | 1    |     |     |     |     |     |   |   |
| 17  | 2    | X0286305010  | GEAR                 | 3    |     |     |     |     |     |   |   |
| 18  | 2    | X0286355010  | GEAR                 | 1    |     |     |     |     |     |   |   |
| 19  | 2    | X0287405140  | LEVER                | 1    |     |     |     |     |     |   |   |
| 20  | 2    | X2534000090  | SWITCH ASSY          | 1    |     |     |     |     |     |   |   |
| 21  | 2    | X9055715000  | RING                 | 1    |     |     |     |     |     |   |   |
| 22  | 2    | X9490721360  | RING                 | 1    |     |     |     |     |     |   |   |
| 23  | 2    | X0280210331  | NUT                  | 1    |     |     |     |     |     |   |   |
| 24  | 2    | X9490138110  | WASHER               | 1    |     |     |     |     |     |   |   |
| 25  | 2    | X9490138090  | WASHER               | 1    |     |     |     |     |     |   |   |
| 26  | 2    | X9490138100  | WASHER               | 1    |     |     |     |     |     |   |   |
| 27  | 2    | X0284525010  | PLATE                | 1    |     |     |     |     |     |   |   |
| 28  | 2    | X9490562360  | NUT                  | 1    |     |     |     |     |     |   |   |
| 29  | 2    | X9490560750  | NUT                  | 2    |     |     |     |     |     |   |   |
| 30  | 2    | X9490423420  | BOLT, THROUGH        | 2    |     |     |     |     |     |   |   |
| 32  | 2    | X9490065670  | SCREW, M4X6          | 2    |     |     |     |     |     |   |   |
| 33  | 2    | X1280330020  | COVER, TERMINAL      | 1    |     |     |     |     |     |   |   |
| 34  | 2    | X1289510130  | NUT                  | 1    |     |     |     |     |     |   |   |
| 35  | 1    | 26106-100252 | BOLT, M10X 25 PLATED | 2    |     |     |     |     |     |   |   |

Fig.15. GENERATOR

(A)=3TNV80F-NGGE

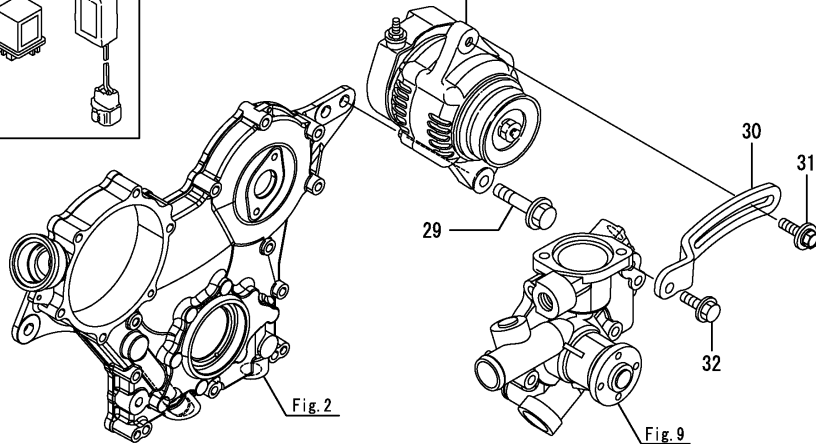
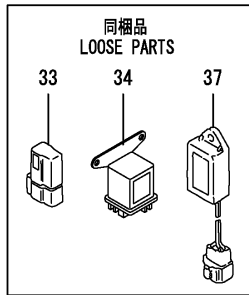
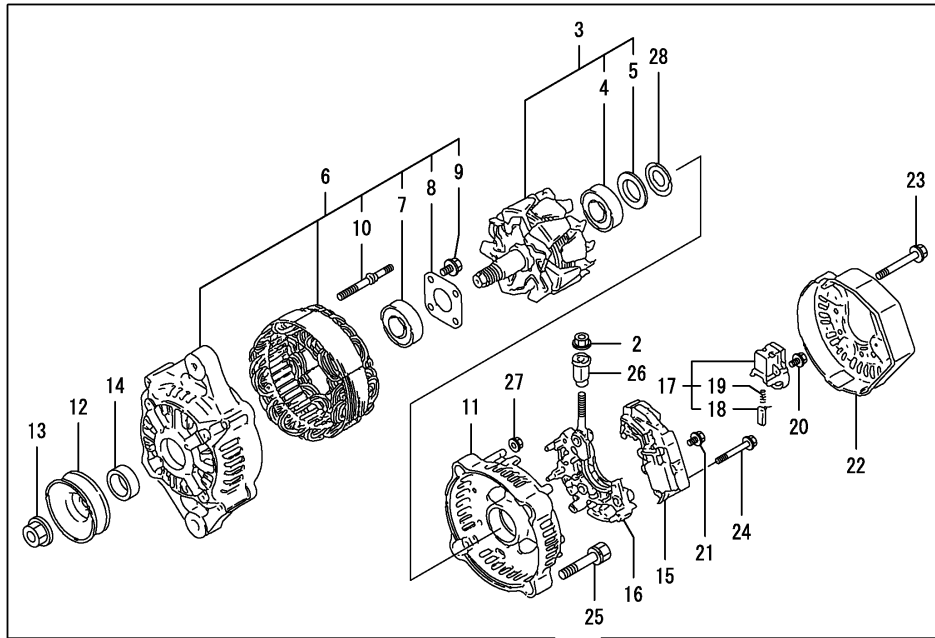
(B)=

(C)=

(D)=

(E)=

(F)=



| No. | Lev. | Parts No.    | Description          | Q'ty |     |     |     |     |     | I | R |
|-----|------|--------------|----------------------|------|-----|-----|-----|-----|-----|---|---|
|     |      |              |                      | (A)  | (B) | (C) | (D) | (E) | (F) |   |   |
| 1   | 1    | 129423-77200 | GENERATOR, 12V-40A   | 1    |     |     |     |     |     |   |   |
| 2   | 2    | X9490561001  | NUT                  | 1    |     |     |     |     |     |   |   |
| 3   | 2    | 119620-77380 | ROTOR ASSY           | 1    |     |     |     |     |     |   |   |
| 4   | 3    | 123501-79240 | BEARING, BALL        | 1    |     |     |     |     |     |   |   |
| 5   | 3    | 119620-79250 | COVER                | 1    |     |     |     |     |     |   |   |
| 6   | 2    | 119620-77421 | FRAME ASSY, DRIVE    | 1    |     |     |     |     |     |   |   |
| 7   | 3    | 119620-79200 | BEARING, BALL        | 1    |     |     |     |     |     |   |   |
| 8   | 3    | 119620-79210 | PLATE, RETAINER      | 1    |     |     |     |     |     |   |   |
| 9   | 3    | 119620-79220 | SCREW                | 4    |     |     |     |     |     |   |   |
| 10  | 3    | 119620-79230 | STUD                 | 2    |     |     |     |     |     |   |   |
| 11  | 2    | 119620-77440 | FRAME ASSY           | 1    |     |     |     |     |     |   |   |
| 12  | 2    | 119620-77461 | PULLEY               | 1    |     |     |     |     |     |   |   |
| 13  | 2    | 119620-77471 | NUT                  | 1    |     |     |     |     |     |   |   |
| 14  | 2    | 119620-77490 | COLLAR               | 1    |     |     |     |     |     |   |   |
| 15  | 2    | 129423-77710 | REGULATOR ASSY       | 1    |     |     |     |     |     |   |   |
| 16  | 2    | 119620-79260 | HOLDER               | 1    |     |     |     |     |     |   |   |
| 17  | 2    | 129052-79270 | HOLDER, BRUSH        | 1    |     |     |     |     |     |   |   |
| 18  | 3    | 119620-77480 | BRUSH ASSY           | 2    |     |     |     |     |     |   |   |
| 19  | 3    | 119620-79280 | SPRING               | 2    |     |     |     |     |     |   |   |
| 20  | 2    | 119620-79290 | SCREW                | 6    |     |     |     |     |     |   |   |
| 21  | 2    | 119620-79300 | SCREW                | 1    |     |     |     |     |     |   |   |
| 22  | 2    | 129240-79300 | COVER                | 1    |     |     |     |     |     |   |   |
| 23  | 2    | 119620-79310 | BOLT                 | 3    |     |     |     |     |     |   |   |
| 24  | 2    | 119620-79320 | SCREW                | 2    |     |     |     |     |     |   |   |
| 25  | 2    | 119620-79330 | BOLT                 | 2    |     |     |     |     |     |   |   |
| 26  | 2    | 119620-79340 | BUSH, INSULATION     | 1    |     |     |     |     |     |   |   |
| 27  | 2    | 119620-79350 | NUT                  | 2    |     |     |     |     |     |   |   |
| 28  | 2    | 119620-79360 | WASHER, THRUST       | 1    |     |     |     |     |     |   |   |
| 29  | 1    | 26106-100452 | BOLT, M10X 45 PLATED | 1    |     |     |     |     |     |   |   |
| 30  | 1    | 119717-77330 | ADJUSTER             | 1    |     |     |     |     |     |   |   |
| 31  | 1    | 119810-77340 | BOLT, ADJUSTER       | 1    |     |     |     |     |     |   |   |
| 32  | 1    | 26106-080202 | BOLT, M8X 20 PLATED  | 1    |     |     |     |     |     |   |   |
| 33  | 1    | 119643-66900 | DIODE                | 1    |     |     |     |     |     |   |   |
| 34  | 1    | 119650-77911 | RELAY ASSY, GLOW     | 1    |     |     |     |     |     |   |   |
| 37  | 1    | 129211-77920 | TIMER                | 1    |     |     |     |     |     |   |   |

## Parts No. Index

| Parts No.    | Fig. No. | Ref. No. |
|--------------|----------|----------|
| 101304-59020 | 13       | 15       |
| 101720-55750 | 13       | 34       |
| 102103-55520 | 13       | 5        |
|              |          | 29       |
| 103854-39140 | 13       | 14       |
| 104200-55321 | 13       | 25       |
| 104200-55330 | 13       | 2        |
|              |          | 26       |
| 104200-55341 | 13       | 27       |
| 104200-55750 | 13       | 9        |
|              |          | 35       |
| 105010-11490 | 4        | 3        |
| 105225-59511 | 13       | 21       |
| 105311-01090 | 1        | 4        |
| 105425-01690 | 3        | 11       |
| 110250-55610 | 13       | 6        |
|              |          | 30       |
| 114110-07761 | 13       | 23       |
| 114250-39450 | 8        | 11       |
| 119131-18320 | 5        | 5        |
| 119285-01990 | 1        | 6        |
| 119285-11990 | 4        | 11       |
| 119305-35170 | 8        | 17       |
| 119515-13200 | 5        | 7        |
| 119517-53001 | 12       | 1        |
| 119517-53010 | 12       | 3        |
| 119540-59570 | 12       | 42       |
| 119600-11460 | 4        | 2        |
| 119600-66840 | 11       | 82       |
| 119620-01750 | 3        | 5        |
| 119620-02020 | 1        | 7        |
| 119620-11280 | 4        | 26       |
| 119620-14200 | 6        | 1        |
| 119620-59700 | 12       | 46       |
| 119620-77380 | 15       | 3        |
| 119620-77421 | 15       | 6        |
| 119620-77440 | 15       | 11       |
| 119620-77461 | 15       | 12       |
| 119620-77471 | 15       | 13       |
| 119620-77480 | 15       | 18       |
| 119620-77490 | 15       | 14       |
| 119620-79200 | 15       | 7        |
| 119620-79210 | 15       | 8        |
| 119620-79220 | 15       | 9        |
| 119620-79230 | 15       | 10       |
| 119620-79250 | 15       | 5        |
| 119620-79260 | 15       | 16       |
| 119620-79280 | 15       | 19       |
| 119620-79290 | 15       | 20       |
| 119620-79300 | 15       | 21       |

| Parts No.    | Fig. No. | Ref. No. |
|--------------|----------|----------|
| 119620-79310 | 15       | 23       |
| 119620-79320 | 15       | 24       |
| 119620-79330 | 15       | 25       |
| 119620-79340 | 15       | 26       |
| 119620-79350 | 15       | 27       |
| 119620-79360 | 15       | 28       |
| 119621-21681 | 7        | 12       |
| 119623-01250 | 1        | 5        |
| 119624-32040 | 2        | 18       |
| 119643-66900 | 15       | 33       |
| 119645-61070 | 11       | 80       |
| 119650-77911 | 15       | 34       |
| 119653-77950 | 11       | 121      |
| 119660-01911 | 2        | 17       |
| 119660-61901 | 11       | 64       |
| 119717-01501 | 2        | 1        |
| 119717-01570 | 2        | 2        |
| 119717-01611 | 3        | 2        |
| 119717-01720 | 3        | 9        |
| 119717-01750 | 2        | 16       |
| 119717-01770 | 3        | 10       |
| 119717-01800 | 2        | 7        |
| 119717-02411 | 1        | 10       |
| 119717-02930 | 1        | 23       |
| 119717-03031 | 4        | 36       |
| 119717-03070 | 4        | 37       |
|              |          | 38       |
| 119717-11131 | 4        | 15       |
| 119717-11190 | 4        | 17       |
| 119717-11200 | 4        | 21       |
| 119717-11240 | 4        | 22       |
| 119717-11260 | 4        | 25       |
| 119717-11320 | 4        | 46       |
| 119717-11331 | 4        | 47       |
| 119717-11340 | 4        | 18       |
| 119717-11350 | 4        | 19       |
| 119717-11381 | 4        | 35       |
| 119717-11650 | 4        | 27       |
| 119717-11800 | 4        | 58       |
| 119717-13109 | 5        | 1        |
| 119717-13110 | 5        | 2        |
| 119717-13600 | 5        | 3        |
| 119717-14400 | 6        | 2        |
| 119717-14581 | 6        | 3        |
| 119717-21200 | 7        | 4        |
| 119717-23200 | 7        | 27       |
| 119717-23601 | 7        | 28       |
| 119717-23611 | 7        | 31       |
| 119717-23910 | 7        | 30       |
| 119717-25050 | 6        | 9        |

| Parts No.    | Fig. No. | Ref. No. |
|--------------|----------|----------|
| 119717-25101 | 6        | 10       |
| 119717-25911 | 6        | 17       |
| 119717-25930 | 6        | 15       |
| 119717-32050 | 2        | 19       |
| 119717-32060 | 8        | 5        |
| 119717-32080 | 2        | 9        |
| 119717-32100 | 2        | 8        |
| 119717-32110 | 2        | 13       |
| 119717-32120 | 2        | 14       |
| 119717-34801 | 8        | 1        |
| 119717-35080 | 8        | 6        |
| 119717-35140 | 8        | 3        |
| 119717-39210 | 8        | 12       |
| 119717-42020 | 9        | 13       |
| 119717-42031 | 9        | 3        |
| 119717-42041 | 9        | 4        |
| 119717-42350 | 9        | 17       |
| 119717-49800 | 9        | 23       |
| 119717-51150 | 6        | 16       |
| 119717-51420 | 10       | 63       |
| 119717-51711 | 10       | 88       |
| 119717-51750 | 10       | 89       |
| 119717-51761 | 10       | 90       |
| 119717-51860 | 10       | 92       |
| 119717-51930 | 11       | 2        |
| 119717-55650 | 13       | 11       |
| 119717-59510 | 12       | 35       |
| 119717-61050 | 11       | 3        |
| 119717-61070 | 11       | 4        |
| 119717-77010 | 14       | 1        |
| 119717-77330 | 15       | 30       |
| 119717-77801 | 4        | 56       |
| 119717-77820 | 4        | 57       |
| 119718-11310 | 4        | 45       |
| 119734-01580 | 2        | 3        |
| 119744-01521 | 2        | 5        |
| 119746-61060 | 11       | 79       |
| 119746-61080 | 11       | 81       |
| 119746-61440 | 11       | 21       |
| 119746-61600 | 11       | 78       |
| 119802-03100 | 4        | 39       |
| 119802-03110 | 4        | 40       |
| 119802-03121 | 4        | 41       |
| 119802-03131 | 4        | 42       |
| 119802-03141 | 4        | 43       |
| 119802-13620 | 5        | 4        |
| 119802-32130 | 2        | 15       |
| 119810-01200 | 1        | 26       |
| 119810-02941 | 1        | 35       |
| 119810-55340 | 13       | 3        |

| Parts No.    | Fig. No. | Ref. No. |
|--------------|----------|----------|
| 119810-55650 | 13       | 8        |
| 119810-77340 | 15       | 31       |
| 119813-59950 | 12       | 47       |
| 119833-55621 | 13       | 1        |
| 119840-59570 | 12       | 45       |
| 119865-21600 | 7        | 10       |
| 119888-01850 | 3        | 4        |
| 119C10-21650 | 7        | 11       |
| 119C10-21930 | 7        | 13       |
| 119C10-21940 | 7        | 14       |
| 119C10-42320 | 9        | 9        |
| 119E00-01560 | 1        | 1        |
| 119E10-01330 | 1        | 27       |
| 119E10-11100 | 4        | 13       |
| 119E10-11110 | 4        | 14       |
| 119E10-11750 | 4        | 4        |
| 119E10-21700 | 7        | 1        |
| 119E10-22080 | 7        | 16       |
| 119E10-22300 | 7        | 22       |
| 119E10-22500 | 7        | 18       |
| 119E10-22550 | 7        | 34       |
| 119E10-22900 | 7        | 33       |
| 119E10-23000 | 7        | 24       |
| 119E10-42000 | 9        | 1        |
| 119E10-59810 | 12       | 20       |
| 119E10-59820 | 12       | 24       |
| 119E10-59830 | 12       | 28       |
| 119E17-21570 | 7        | 8        |
| 121023-01551 | 2        | 30       |
| 121111-21501 | 7        | 7        |
| 121250-44901 | 9        | 27       |
| 121250-55620 | 13       | 7        |
| 121254-55510 | 13       | 4        |
| 121257-55720 | 13       | 31       |
| 121257-55731 | 13       | 32       |
| 121267-44760 | 9        | 20       |
| 121450-42450 | 9        | 26       |
| 121520-34810 | 8        | 2        |
| 121850-51960 | 2        | 20       |
| 122710-51090 | 10       | 8        |
| 123501-79240 | 15       | 4        |
| 124060-01050 | 1        | 11       |
| 124064-55510 | 13       | 28       |
| 124066-59100 | 12       | 43       |
| 124085-02220 | 3        | 6        |
| 124160-01751 | 2        | 28       |
|              | 4        | 34       |
| 124160-01910 | 1        | 12       |
| 124465-44950 | 9        | 28       |
|              |          | 29       |

## Parts No. Index

| Parts No.    | Fig. No. | Ref. No. |
|--------------|----------|----------|
| 124766-59050 | 12       | 33       |
|              | 13       | 17       |
|              |          | 20       |
| 129001-32320 | 2        | 11       |
| 129001-32330 | 2        | 12       |
| 129005-59830 | 8        | 13       |
| 129052-79270 | 15       | 17       |
| 129100-01580 | 1        | 28       |
|              | 3        | 1        |
|              | 7        | 2        |
| 129100-52101 | 10       | 108      |
| 129150-11230 | 4        | 28       |
| 129150-11750 | 4        | 30       |
| 129150-25301 | 6        | 14       |
| 129150-59120 | 12       | 15       |
| 129150-59131 | 12       | 18       |
| 129155-51020 | 10       | 4        |
| 129155-51280 | 10       | 53       |
|              |          | 54       |
|              | 11       | 6        |
| 129155-51400 | 10       | 61       |
| 129155-51580 | 10       | 85       |
| 129155-51701 | 10       | 87       |
| 129155-52051 | 10       | 107      |
| 129155-61460 | 11       | 77       |
| 129210-59080 | 13       | 16       |
| 129210-59170 | 12       | 32       |
|              | 13       | 19       |
| 129211-77920 | 15       | 37       |
| 129240-79300 | 15       | 22       |
| 129335-55701 | 13       | 24       |
| 129350-49530 | 9        | 22       |
| 129423-77200 | 15       | 1        |
| 129423-77710 | 15       | 15       |
| 129508-11180 | 4        | 16       |
| 129900-07900 | 4        | 54       |
| 129900-32130 | 2        | 10       |
| 129901-11450 | 4        | 1        |
| 129901-53800 | 12       | 4        |
| 129901-59560 | 12       | 41       |
| 129916-49740 | 9        | 10       |
| 158552-61700 | 11       | 59       |
| 158552-61900 | 11       | 85       |
| 158600-51270 | 10       | 52       |
| 158600-51410 | 10       | 62       |
| 158600-51420 | 10       | 64       |
| 158600-51570 | 10       | 84       |
| 158600-51790 | 10       | 91       |
| 171056-49120 | 9        | 25       |
| 171081-55910 | 13       | 36       |

| Parts No.    | Fig. No. | Ref. No. |
|--------------|----------|----------|
| 171340-44740 | 9        | 19       |
| 22190-060003 | 11       | 83       |
| 22190-080002 | 8        | 14       |
|              |          | 16       |
| 22190-100002 | 11       | 87       |
| 22190-120002 | 12       | 53       |
|              | 13       | 22       |
| 22190-160002 | 3        | 13       |
|              | 10       | 94       |
| 22217-120000 | 10       | 95       |
| 22242-000120 | 4        | 31       |
| 22252-000220 | 7        | 23       |
| 22351-050010 | 10       | 96       |
| 22351-060012 | 4        | 20       |
| 22372-040000 | 11       | 89       |
| 22512-040120 | 7        | 5        |
|              |          | 15       |
| 22857-500100 | 4        | 48       |
|              |          | 49       |
| 22857-500160 | 4        | 50       |
| 23414-080000 | 9        | 14       |
| 23418-060000 | 13       | 37       |
| 23857-030000 | 8        | 15       |
| 23876-005000 | 4        | 12       |
| 23876-030000 | 2        | 6        |
| 24311-000320 | 2        | 29       |
|              | 4        | 51       |
| 24311-240100 | 13       | 10       |
|              |          | 38       |
| 24341-000240 | 2        | 31       |
| 25132-003600 | 9        | 18       |
| 26014-080702 | 13       | 12       |
| 26022-050122 | 10       | 100      |
| 26106-060102 | 8        | 10       |
|              | 11       | 68       |
|              |          | 90       |
| 26106-060122 | 2        | 21       |
|              | 6        | 8        |
| 26106-060142 | 11       | 91       |
| 26106-060162 | 2        | 22       |
|              |          | 32       |
| 26106-060202 | 4        | 52       |
|              | 11       | 92       |
| 26106-060302 | 9        | 21       |
| 26106-060352 | 6        | 13       |
| 26106-060402 | 2        | 23       |
|              |          | 24       |
| 26106-060452 | 11       | 93       |
| 26106-060602 | 2        | 25       |
| 26106-060652 | 2        | 26       |

| Parts No.    | Fig. No. | Ref. No. |
|--------------|----------|----------|
| 26106-060752 | 4        | 53       |
| 26106-080122 | 3        | 14       |
|              | 9        | 15       |
| 26106-080162 | 4        | 55       |
|              | 13       | 13       |
| 26106-080202 | 9        | 24       |
|              | 15       | 32       |
| 26106-080302 | 3        | 15       |
| 26106-080402 | 4        | 33       |
| 26106-080452 | 3        | 16       |
| 26106-080502 | 3        | 17       |
|              | 9        | 16       |
| 26106-100252 | 14       | 35       |
| 26106-100452 | 15       | 29       |
| 26206-100252 | 3        | 7        |
| 26206-100302 | 3        | 8        |
| 26306-080002 | 2        | 27       |
|              | 5        | 6        |
| 26366-080002 | 11       | 69       |
| 26577-060122 | 9        | 11       |
| 26716-120002 | 10       | 102      |
| 26756-060002 | 11       | 84       |
|              |          | 94       |
| 26979-050162 | 4        | 32       |
| 27241-120000 | 1        | 13       |
| 27241-250000 | 9        | 12       |
| 719717-02901 | 1        | 29       |
| 719717-02911 | 1        | 32       |
| 719734-01510 | 2        | 4        |
| 719E46-51300 | 10       | 1        |
| X0280210331  | 14       | 23       |
| X0280626010  | 14       | 12       |
| X0280996180  | 14       | 3        |
| X0281007750  | 14       | 2        |
| X0282005991  | 14       | 6        |
| X0283006960  | 14       | 7        |
| X0284105040  | 14       | 13       |
| X0284525010  | 14       | 27       |
| X0285007030  | 14       | 10       |
| X0285105190  | 14       | 4        |
| X0285205030  | 14       | 5        |
| X0286105010  | 14       | 15       |
| X0286305010  | 14       | 17       |
| X0286355010  | 14       | 18       |
| X0287405140  | 14       | 19       |
| X1280330020  | 14       | 33       |
| X1289510130  | 14       | 34       |
| X2534000090  | 14       | 20       |
| X4284001590  | 14       | 8        |
| X9055715000  | 14       | 21       |

| Parts No.   | Fig. No. | Ref. No. |
|-------------|----------|----------|
| X9490065670 | 14       | 32       |
| X9490138090 | 14       | 25       |
| X9490138100 | 14       | 26       |
| X9490138110 | 14       | 24       |
| X9490423420 | 14       | 30       |
| X9490560750 | 14       | 29       |
| X9490561001 | 15       | 2        |
| X9490562360 | 14       | 28       |
| X9490721360 | 14       | 22       |
| X9491034320 | 14       | 16       |
| X9491034330 | 14       | 14       |
| X9491040990 | 14       | 11       |
| X9491050100 | 14       | 9        |